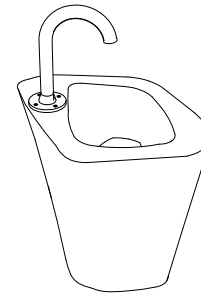


## CARACTERISTICAS

MATERIAL	hormigón	MATERIAL	cast stone
COLOR	gris granítico / beige	COLOUR	granite grey / beige
ACABADO	abujardado e hidrofugado	ACABADO	finished with granulated hammer and waterproofed
SURTIDOR	acero inoxidable	JET	stainless steel
GRIFO	pulsador temporizado cromado	TAP	chrome push-operated tap with timer mechanism
COLOC.	empotrado	FIXING	embedded
PESO	400 kg	WEIGHT	400 kg
PALET	100 x 100	PALLET	100 x 100

DISEÑO / DESIGN Imma Jansana

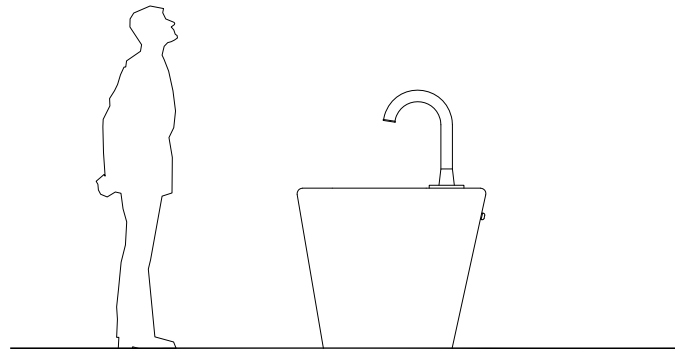
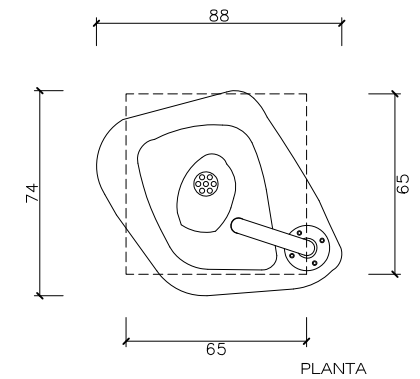
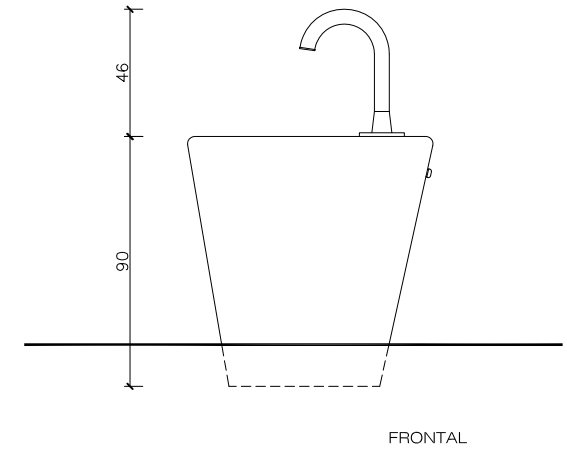
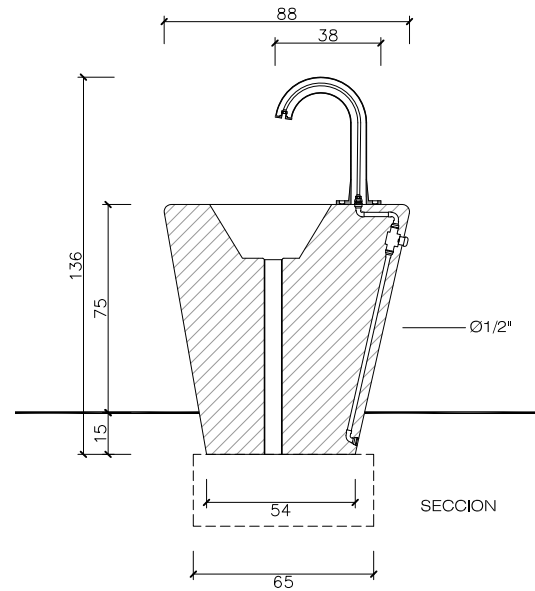
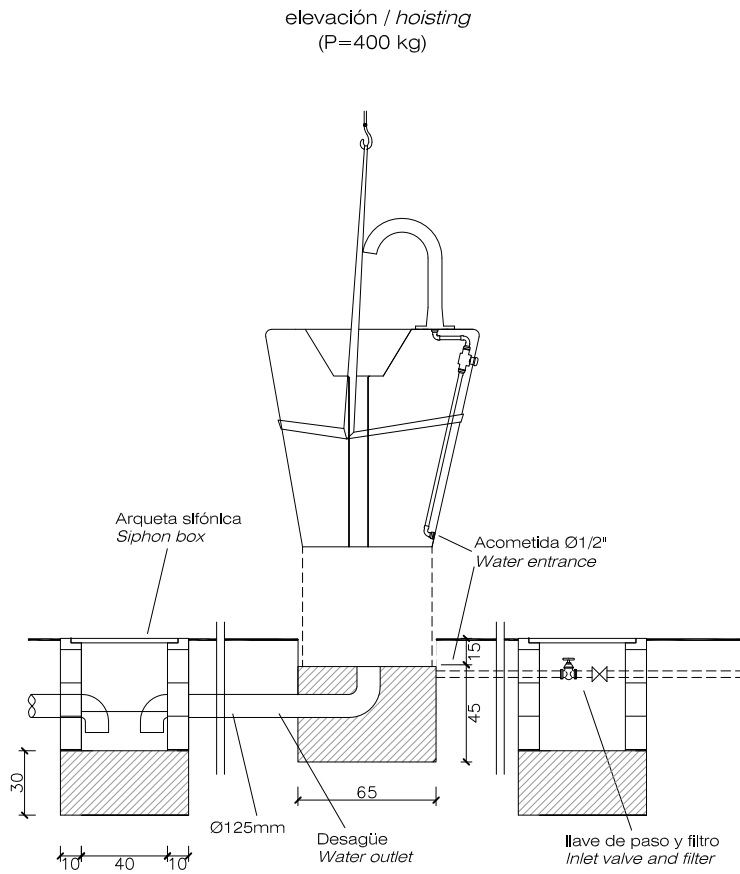


RURAL®

## SISTEMA DE COLOCACION

## GEOMETRIA

ESCALA 0 CM 50 CM



www.escofet.com

escofet

d.03