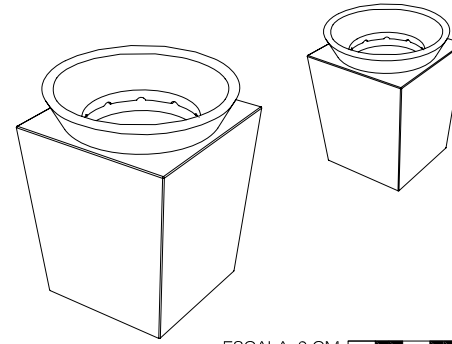


CARACTERISTICAS

MATERIAL hormigón armado
COLOR gris granítico / negro
ACABADO decapado e hidrofugado
MATERIAL polipropileno rotomoldeado reciclable
COLOR gris plata / naranja
COLOCACION anclado con tornillos
PESO 350 kg
CAPACIDAD 70 litros
PALET 70 x 70

MATERIAL reinforced cast stone
COLOUR granite grey / black
FINISH acid-etched and waterproofed
MATERIAL recyclable polypropilen rotomoulded
COLOUR silver grey / orange
FIXING anchored with screws
WEIGHT 350 kg
CAPACITY 70 litres
PALLET 70 x 70
DISEÑO / DESIGN Salvador Fabregas

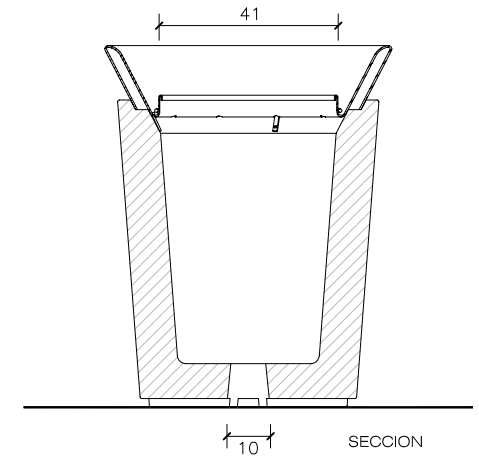
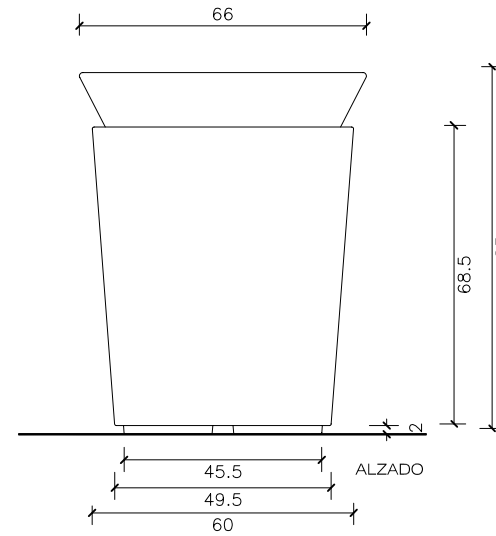
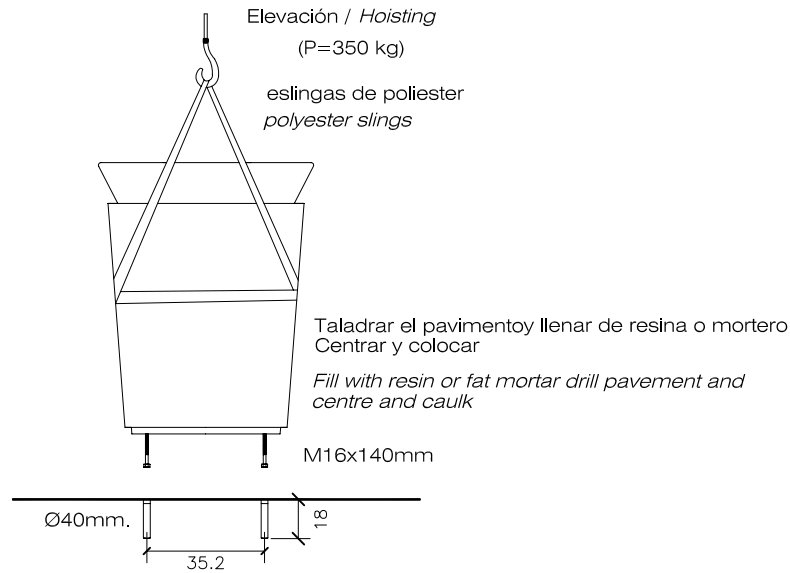


PAPER-INA®

SISTEMA DE COLOCACION

GEOMETRIA

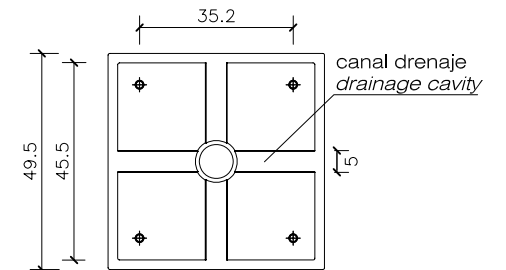
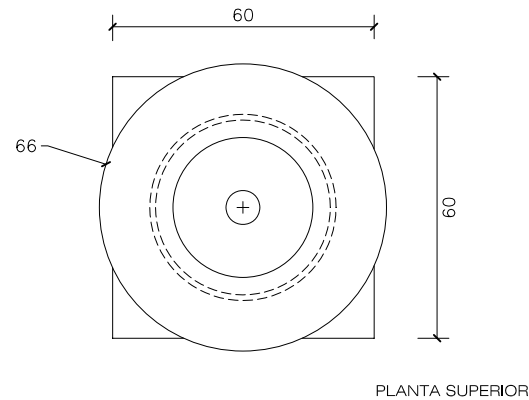
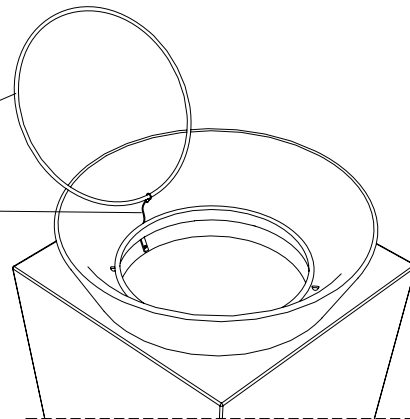
ESCALA 0 CM 50 CM



sistema de fijación de bolsa
system of subordination of bag

Aro acero inoxidable Ø8mm.
Stainless steel ring Ø8mm

cable acero inoxidable
Stainless steel cable



www.escofet.com

escofet

e.08