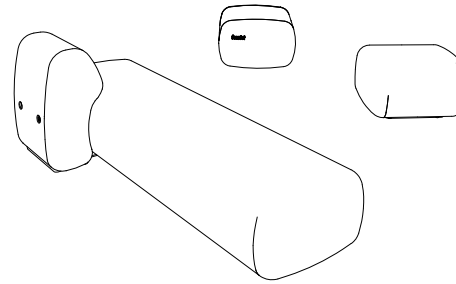


## CARACTERISTICAS

MATERIAL polietileno LDPE  
 COLOR blanco  
 ACABADO micro-texturado  
 COLOCACION sin anclaje / anclado  
 PESO 50 kg / 12 kg / 9 kg  
 ILUMINACION 2 perfiles led, 32w  
 color blanco t°5000k

MATERIAL polyethylene LDPE  
 COLOUR white  
 FINISH micro-textured  
 FIXING free-standing / anchored  
 WEIGHT 50 kg / 12 kg / 9 kg  
 LIGHTING 2 led strips, 40w  
 white t°5000k

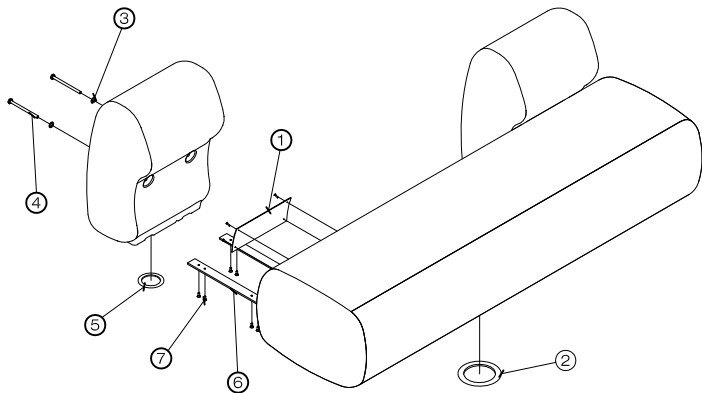
DISEÑO / DESIGN *Diego Fortunato*



## SISTEMA DE COLOCACION

## GEOMETRIA

ESCALA 0 CM 50CM



- ① placa con 2 tuercas soldadas  
*plate with 2 welded nuts*
- ② tapa registro roscada Ø200  
*threaded inspection hatch Ø200*
- ③ 2 anillas exterior  
*2 outer rings*
- ④ 2 varillas roscadas M12x260  
*2 threaded bars M12x260*
- ⑤ tapa registro roscada Ø145  
*threaded inspection hatch Ø145*
- ⑥ 2 patinetes  
*2 scooters*
- ⑦ 16 tornillos Spax 6x20  
*16 6x20 Spax-s screws*

