

*Ban* is a bench with an optional back, characterised by its impressive length. The steel plate load-bearing structure, forming triangular-shaped support points, is another characteristic that gives it a marked identity. The back, with a shorter length than the seat, allows the ends of the bench to form projections for a more unrestricted use.

FSC® Certified Wood | Steel sheet | ☑ 337 cm/max | ⚖ 175 kg | ♻ 6

🔄 Update 18.09.2018



#### Origin

*Ban* was originally designed as a backless bench and the back accessory was created afterwards.

#### Modular

The combination of both resulting models enables the creation of long modular benches with backs in both directions.

#### Material

Hardened steel plate with a textured silver polyester paint finish and FSC tropical wood planks.

#### Installation

Can be installed directly on the paving or anchored to it with 4 M12 x 200 mm screws fastened with resin.

BAN



Escofet®



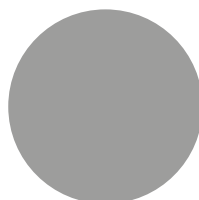
# 1. Bench and backless bench

Ban	Bench	Backless bench
<b>Dimensions</b>	337 x 73 x 81 cm	337 x 73 x 45 cm
<b>Weight</b>	175 kg	130 kg
<b>1.1 General features</b>		
<b>Seat</b>	Tropical wood FSC®	Anchored with screws
<b>Finish</b>	Treated with pigmented, translucent oil.	
<b>Supports</b>	Steel sheet	
<b>Finish</b>	Silver powder coated finish	

## Colours



A. Tropical wood FSC®



B. Silver powder



La marca de la gestión forestal responsable



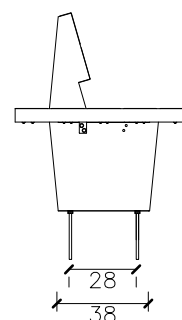
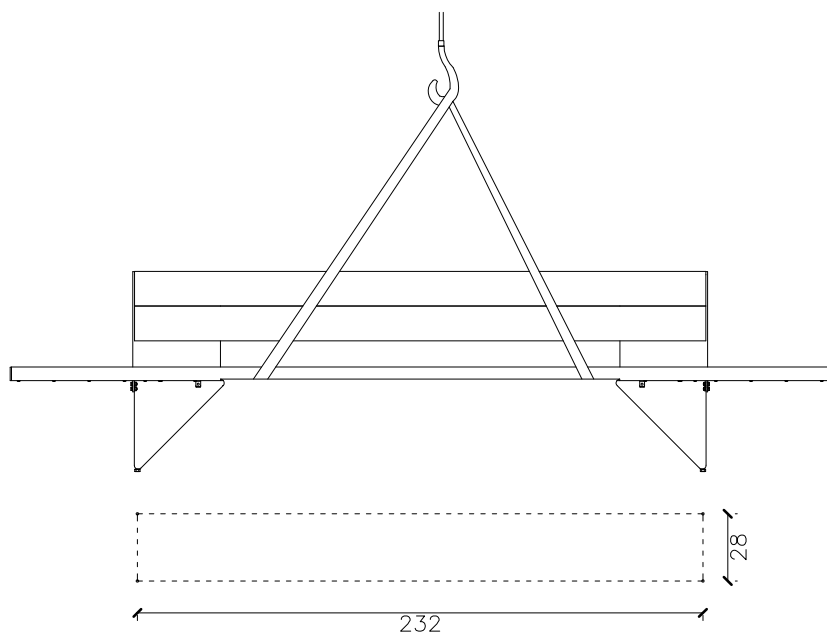
## 1.2 Installation system

### Hoisting

(P= 175 / 130 kg)

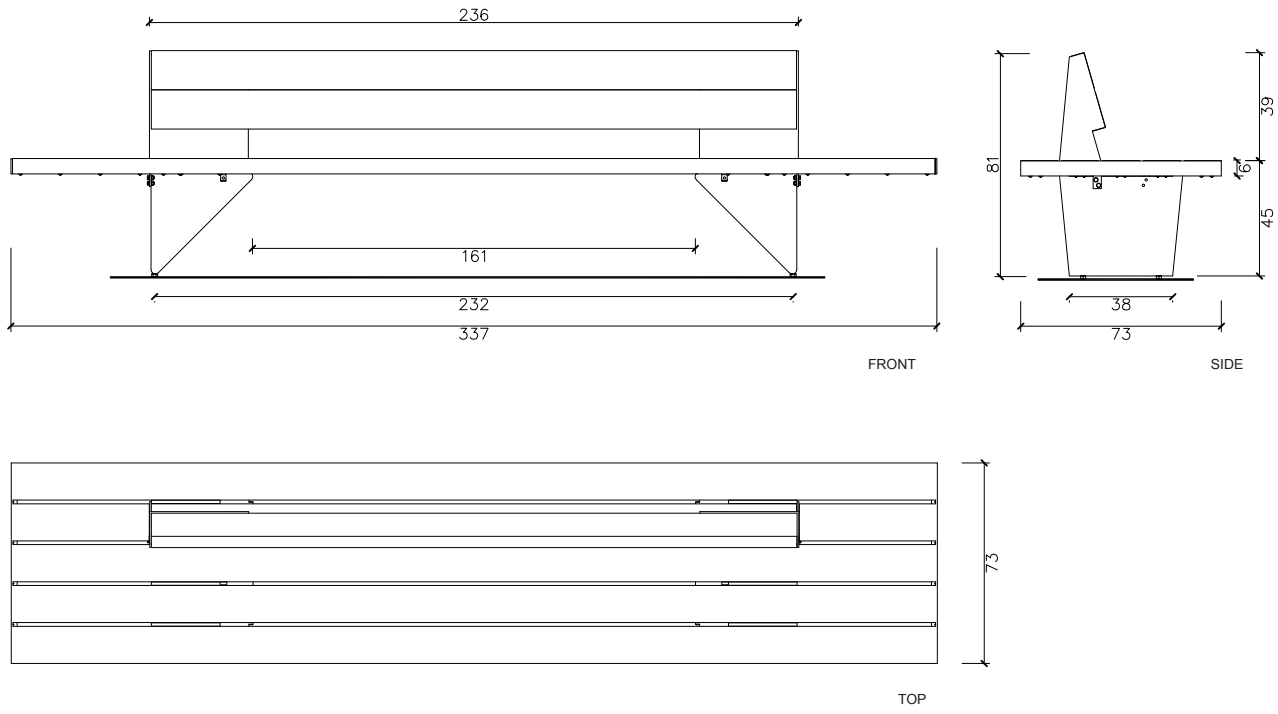
### Installation

Drill pavement (Ø 14mm) and fill with resin. Tightly screw the 4 stud bolts M-12 x200. Center and caulk the bench foot all around.

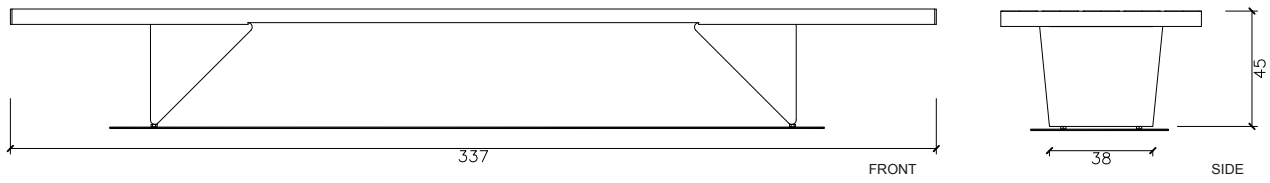


## 1.3 Geometry

### Bench



### Backless bench





Les noms, marques et modèles industriels des produits ont été déposés au registre correspondant. Les informations techniques de ce document peuvent être modifiées sans préavis.

Escofet 1886 S.A  
Head office and production

Montserrat, 162  
E 08760 Martorell  
Barcelona - España  
T. 0034 937 737 150  
F. 0034 937 737 151

info@escofet.com  
www.escofet.com

Follow us



GA-2005/0072 SST-0090/2010 ER-0403/2016