

*Paperegena* is a litter bin with a cylindrical body crowned by a broad disk-shaped opening. It is raised above the ground by another cylinder with a smaller diameter that serves as a baseboard to conceal the point where it joins the paving, giving it a more lightweight appearance.

Steel | Ø 68 cm | 80 kg | 82 L

🔄 Update 01.10.2018



PAPEREGENA

Arriola&Fiol, arquitectes 1995

Escofet®

### Origin

*Paperegena* belongs to the Flauta Mágica (Magic Flute) collection, created in 1995 for the purpose of remodelling the street Santa Clara in the city of Girona. The Magic Flute site furnishing collection was inspired by the characters and music of the famous opera by Mozart. The diverse urban components comprising the *Dama* planters, *Paperegena* litter bin, *Sarastro* fountain and *Banco-G* have formal characteristics that allow them to relate to each other in harmony, creating a visual melody in the landscape.

### Functional

The waste bag is secured by means of a telescopic fastening system that permits the vertical movement of a stainless steel calibrated ring.

### Material

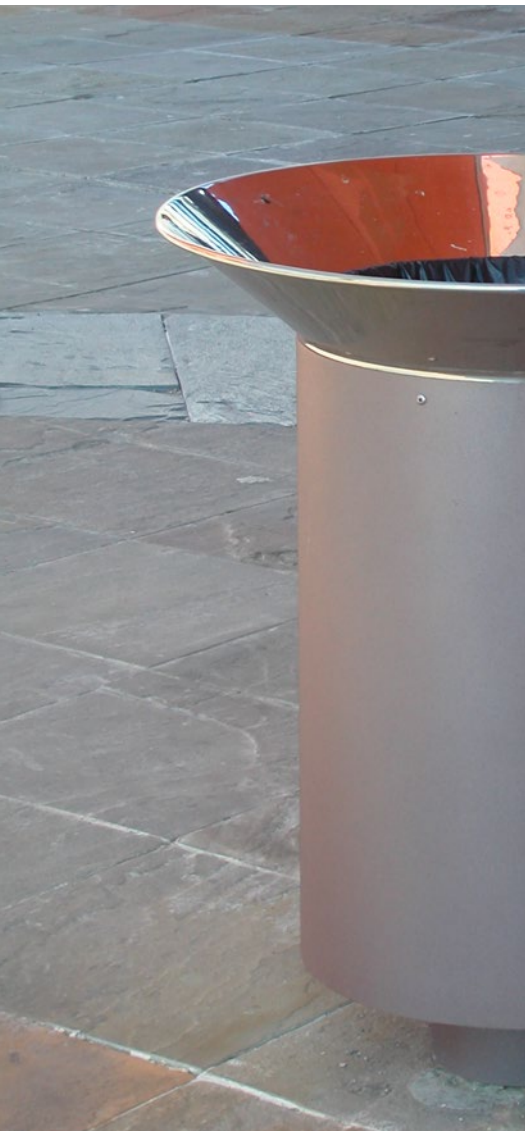
The cylindrical body is made from stainless steel, with a coat of primer and painted in a reddish tone, while the opening, in the shape of a broad cone, has an embossed AISI 316 polished stainless steel finish.

### Installation

Anchorage below ground is resolved by means of three metal rods welded to the base of the smaller cylinder.



# PAPEREGENA



# 1. Litter bins

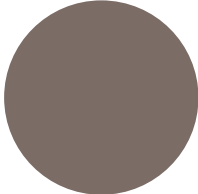
## Paperegena

<b>Dimensions</b>	Ø68 (Ø42) x 80 cm
<b>Weight</b>	80 kg
<b>Capacity</b>	82 L

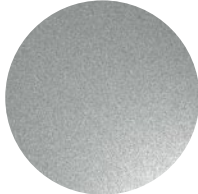
### 1.1 General features

<b>Body</b>	Stainless steel sheet	<b>Fixing</b>	Anchored with metal studs
<b>Finish</b>	Primed and painted reddish		
<b>Mouth</b>	AISI 316L Sainless steel	<b>Finish</b>	Polished

**Colours**



**A.** Painted stainless steel

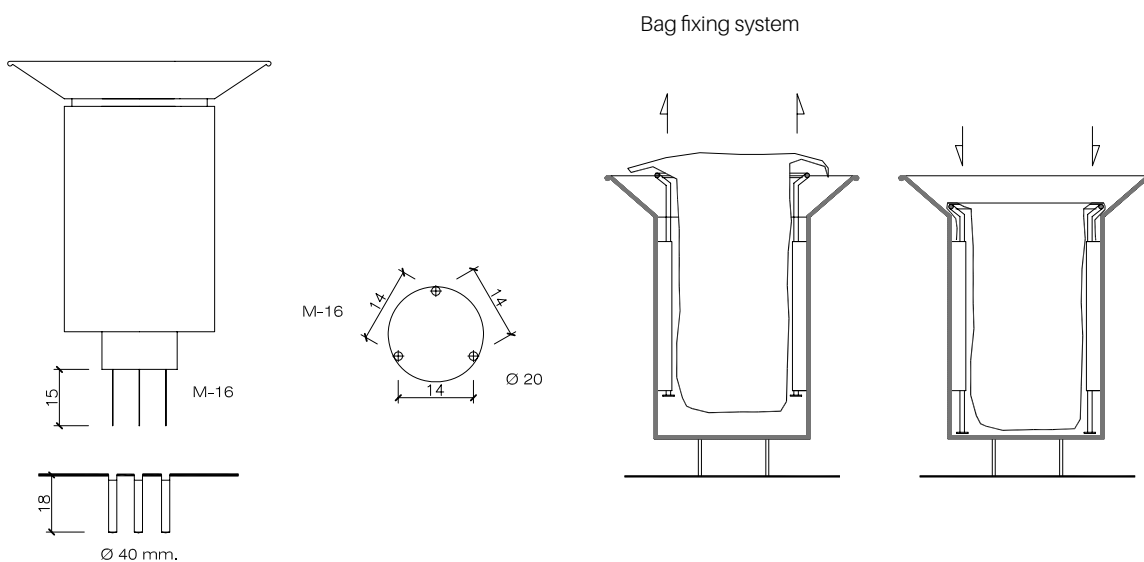


**B.** Polished stainless steel

### 1.2 Installation system

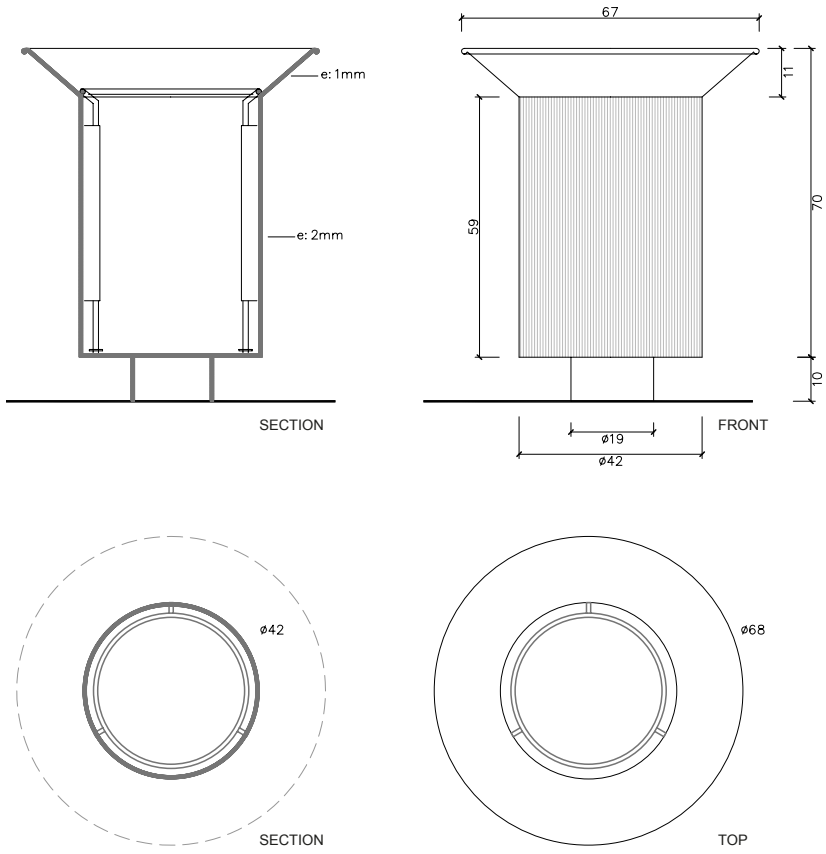
**Hoisting**  
(W= 80 kg)

**Installation**  
Drill pavement (Ø 40 x 180 mm) and fill with resin. Center the element and caulk the element foot all around.



## 1.3 Geometry

### Paperegena





The names, trademarks and industrial models of the products have been logged in the corresponding registers. The technical information provided by Escofet about its products can be modified without prior notice.

Escofet 1886 S.A  
Head office and production

Montserrat, 162  
E 08760 Martorell  
Barcelona - España  
T. 0034 937 737 150  
F. 0034 937 737 151

info@escofet.com  
www.escofet.com

Follow us



GA-2005/0072 SST-0090/2010 ER-0403/2016