

The *Morella beacon*, of unequivocal urban quality, acts as a reference point and luminous reference in a somehow subtle complicity with passers-by. The continuity of two cylindrical surfaces with different radii generates a precise, complex object with a deceiving appearance and a reversible visuality, depending on whether it receives sunlight or projects its own light beam after dusk.

Steel sheet | Ø 28 cm | ⚖ 28 kg

🔄 Update 15.10.2018



MORELLA

Helio Piñon 2000

Escofet®

Origin

The Morella beacon is part of the series that received its name due to being designed for use in the public space of the city of Morella.

Material

The body is made from a single sheet of machined, welded steel with a thickness of 2 mm. The circular base is made of 8 mm thick sheet steel, while the cover is 3 mm thick. The surface finish of the set is sandblasted and oven painted "corten effect". Philips Pacific interior luminaire with two 18W fluorescent tubes fixed vertically to an L-shaped profile of 30 mm.

Installation

The installations require drilling three holes 40 mm diameter in the paving is with the help of supplied template. Fill them with resin and place the base-luminaries set with the three anchorage zinc-plated steel bolts M-16, 140mm long. Make electric connexions to later assemble the body to the base plate with three steel screws M-6 supplied.



MORELLA



Escofet[®]

1. Beacon

Morella

Dimensions Ø28 x 90 cm

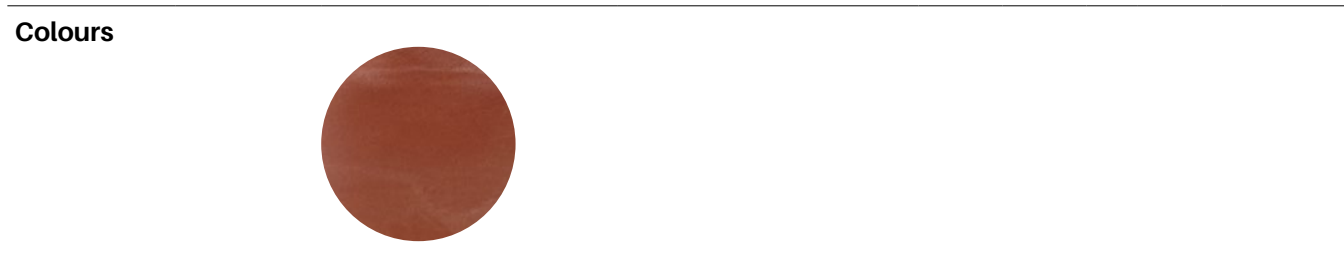
Weight 28 kg

Lighting Philips Pacific IP66 2 fluorescent tubes 18W
(lamps not included)

1.1 General features

Material	Cor-ten steel / Zinqued steel	Fixing	Anchored on pavement
-----------------	----------------------------------	---------------	----------------------

Finish Painted "Cor-ten" effect



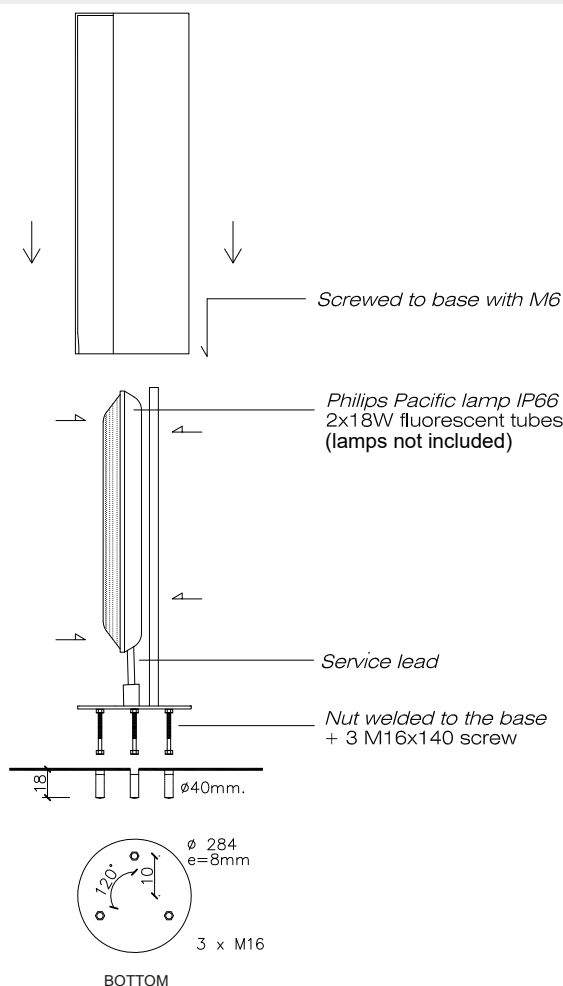
A. Cor-ten

1.2 Installation system

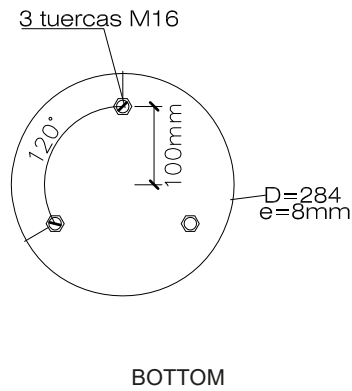
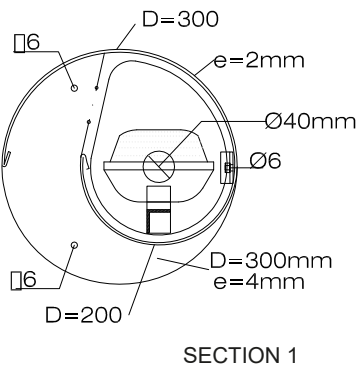
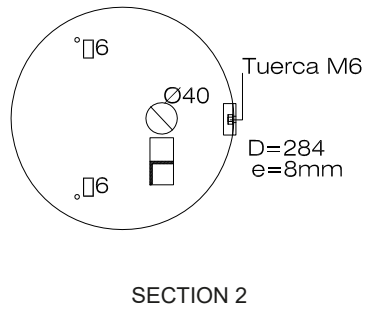
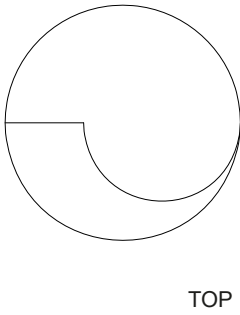
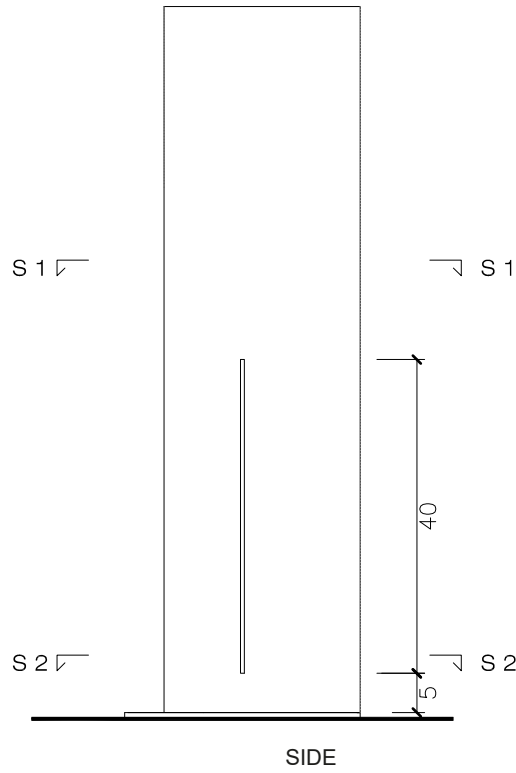
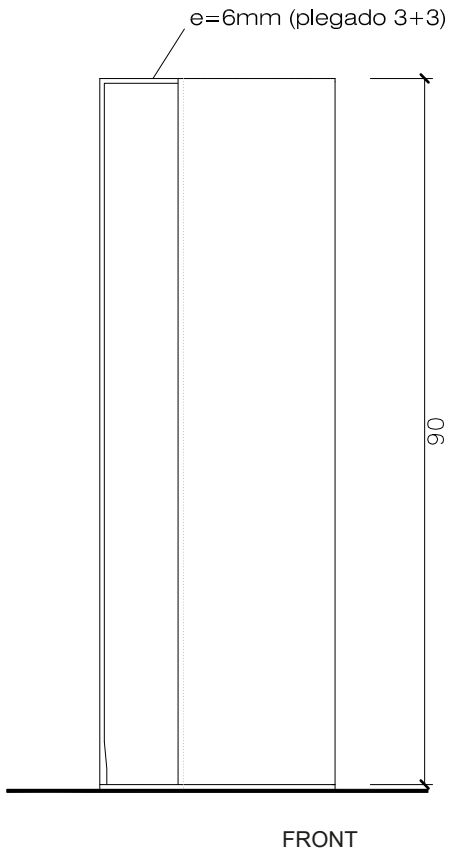
Hoisting
(W=28 kg)

Installation

Drill pavement Ø40 x 180 mm and fill with resin or fat mortar. Place the base-luminaire assembly with 3 M16x140 mm screws; Center and caulk the bench foot all around. Make the electrical connection and then fix the body to the base with three M6 screws.



Morella





The names, trademarks and industrial models of the products have been logged in the corresponding registers. The technical information provided by Escofet about its products can be modified without prior notice.

Escofet 1886 S.A
Head office and production

Montserrat, 162
E 08760 Martorell
Barcelona - España
T. 0034 937 737 150
F. 0034 937 737 151

info@escofet.com
www.escofet.com

Follow us



GA-2005/0072 SST-0090/2010 ER-0403/2016