


The *Yarg* tree guard is made up of an outer frame formed by four aluminium parts with a rectangular geometry measuring 180 x 80 cm. The combination of the four cast aluminium covers permits three different formations, depending on the requirements in terms of protection and improving accessibility.

Aluminium |  |  180 cm/max |  160 kg

 Update 01.10.2018



Origin

Yarg is a response to the request made by Barcelona City Council to resolve the problem of improving accessibility by adapting the tree guards aligned on the narrow passageways that cross the blocks of the Eixample neighbourhood in Barcelona.

Design

Its design is based on a single type of main cover with triangular vents to adapt the ends of the guard fixed to the frame with stainless steel screws. One or two central optional covers are located in the interior with grooved surfaces, inserted into the main covers without screws.

Adaptable

The outer frame generates an opening of 180 x 80 cm. The combination of two types of covers permits four different formations, depending on the requirements related to protection. An internal space for

the tree with different dimensions:
with no central covers 78 x 78 cm /
with one central cover 78 x 44 cm /
with two central cover 78 x 34 cm.

Material

Outer frame formed by four inserted pieces and cast aluminium covers. Main covers of 80 x 51 cm with triangular vents. Optional central covers of 78 x 23 cm with a grooved top surface. Both have a ribbed reinforcement at the bottom.

Installation

The frame is installed leaving the anchoring legs embedded in the concrete slab around the perimeter. The main covers are fixed to the frame with stainless steel screws. The central covers are inserted into the openings on the main covers.





1. Tree grates

Yarg

Dimensions 180 x 80 x 14 cm

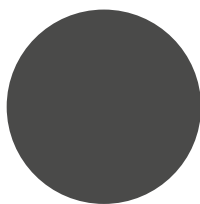
Frame Weight 110 / 135 / 160 kg

1.1 General features

Material	Cast aluminium	Fixing	Embedded on pavement level
-----------------	----------------	---------------	----------------------------

Finish Painted oxiron black forge effect

Colours



CA. Aluminium painted
black forge effect

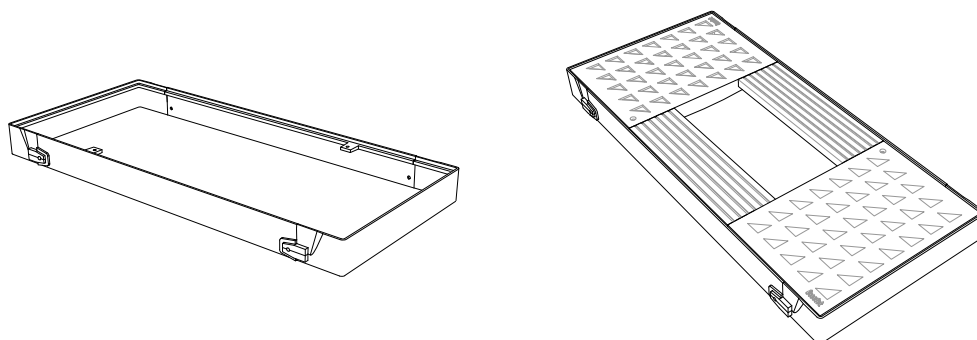
1.2 Installation system

Hoisting

(W= 110 / 135 / 160 kg)

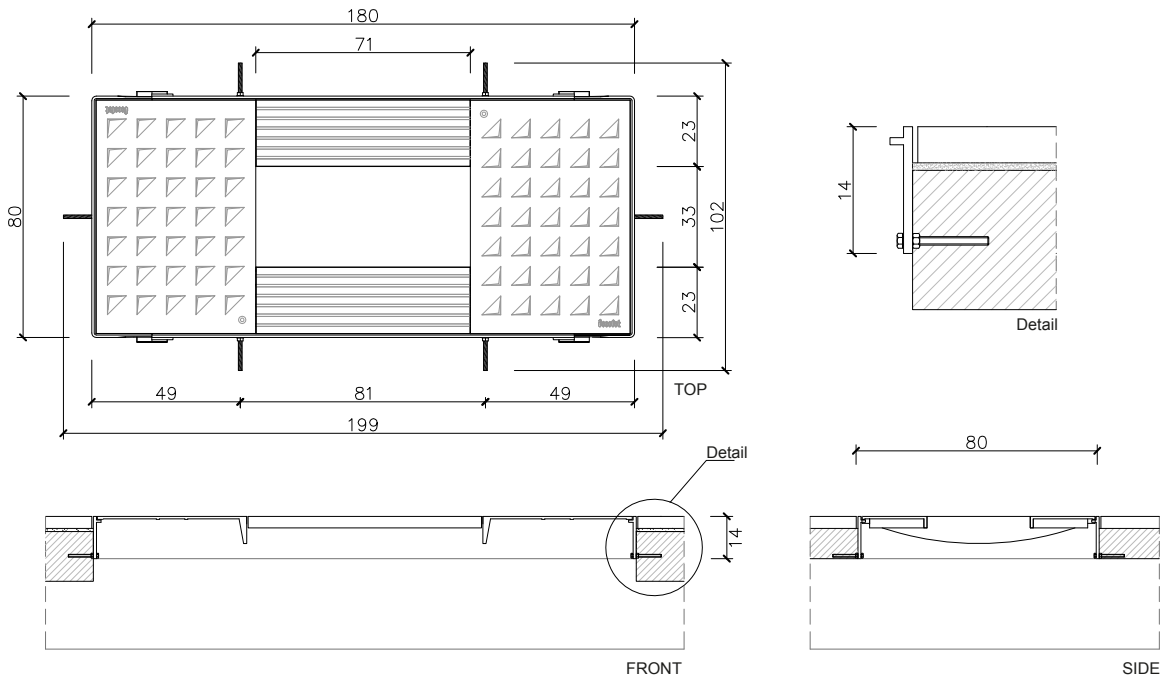
Installation

Anchor pins of the frame on the pavement slab and deliver the flush pavement to level 0.

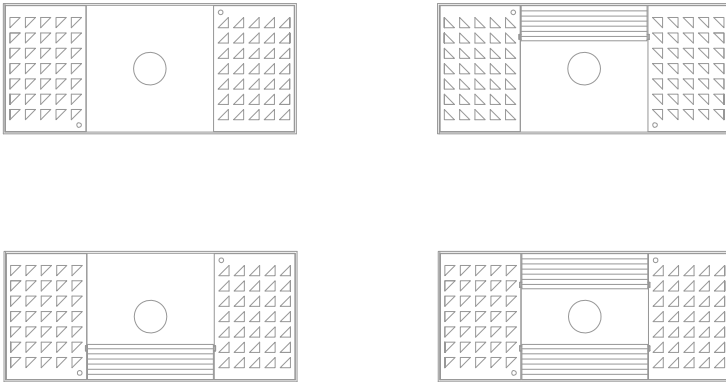


1.3 Geometry

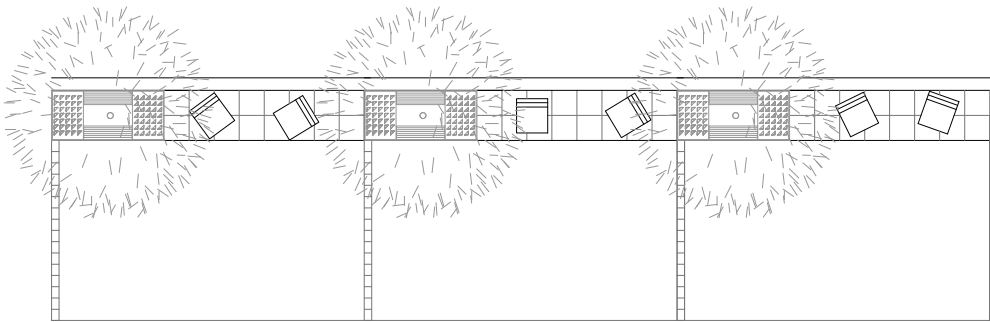
Yarg



Optional central covers



Example of placement





The names, trademarks and industrial models of the products have been logged in the corresponding registers. The technical information provided by Escofet about its products can be modified without prior notice.

Escofet 1886 S.A
Head office and production

Montserrat, 162
E 08760 Martorell
Barcelona - España
T. 0034 937 737 150
F. 0034 937 737 151

info@escofet.com
www.escofet.com

Follow us



GA-2005/0072 SST-0090/2010 ER-0403/2016