

Gruss is an eminently urban litter bin formalised by a cylinder intersected by a vertical plane which, in turn, serves as a support recessed in the paving. The ring with the lock blocks a removable interior polyethylene container. Optionally, the ring may include an ash-tray perimeter or a cover as an additional accessory.

Steel | Ø 39 cm | 30 kg | 62 L

🔄 Update 24.05.2019



GRUSS

Gemma Bernal + Ramos & Bassols 2005

Escofet®

Origin

This model was initially installed in many parts of the city of Zaragoza and its still included in the city's site furnishings catalogue.

Material

Mouth and ash-tray made from EN AC-51100 (L-2341) cast aluminium, with a sandblasted, shiny anodised finish. Body made from galvanised steel with a thickness of 2 mm, polyester paint powder coated textured silver, black forged effect.coated or a Cor-ten effect. With an internal, non-flammable, black polyethylene container. Triangular shaped lock and A2 stainless steel screws.

Installation

The model is designed for installing recessed with two supports at a depth of 12 cm below the paving height, or anchored to the paving with an exposed rectangular plate and four Fisher SXR 10X80 FUS expansion plugs.





1. Litter bins

Gruss	Simple	Cover	Ashtray	Ashtray and cover
Dimensions	Ø39x87 cm	Ø39x98 cm	Ø39x87 cm	Ø39x98 cm
Weight	26 kg	28 kg	30 kg	32 kg
Capacity	62 L	62 L	62 L	62 L

1.1 General features

Body and cover	Zinc plated steel	Fixing	Embedded on the pavement Anchored with expansion bolts.
Finish	Finished polyester powder paint. Black forged effect, silver colour or Cor-ten effect.		
Ashtray	Cast aluminium	Finish	Shot blasting aluminum EN AC-51100 and bright anodized
Interior container	Fireproof black polyethylene		

Colours



A. Black forged effect



B. Silver powder coated



C. Cor-ten effect

1.2 Installation system

Hoisting

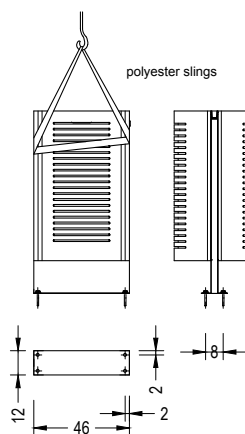
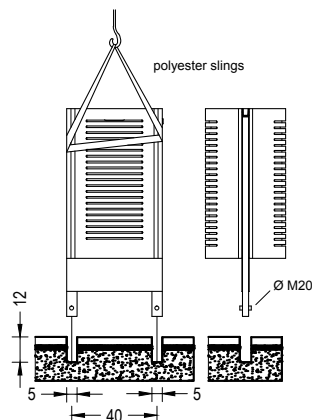
(W= 26 / 28 / 30 / 32 kg)

Installation

Embedded

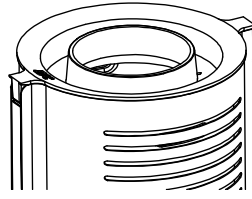
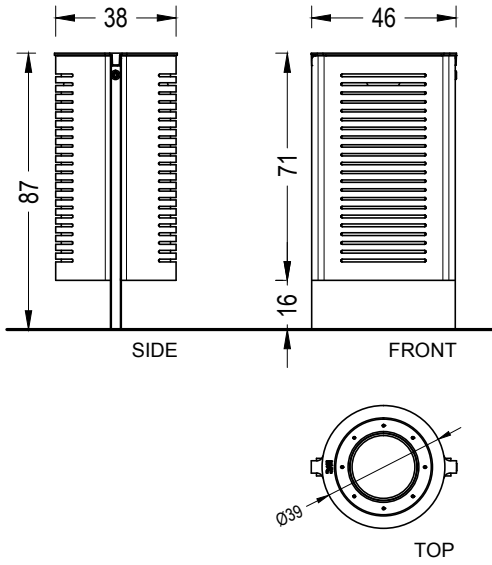
Open hole according to graph. Find, place and concrete after placing.

Anchored with expansion bolts.
Drill pavement (Ø12mm) Tightly screw the 4 stud bolts.

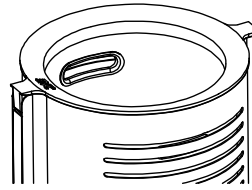
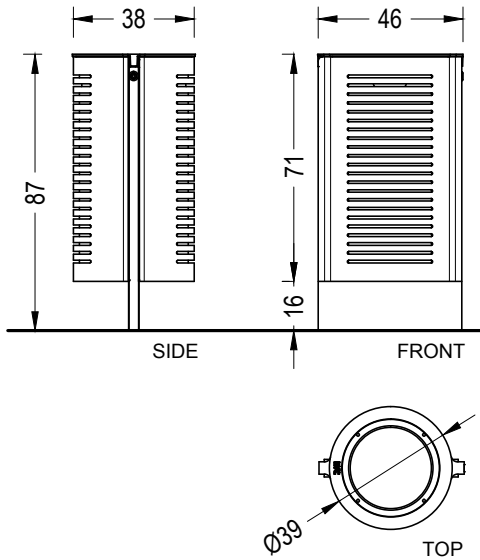


1.3 Geometry

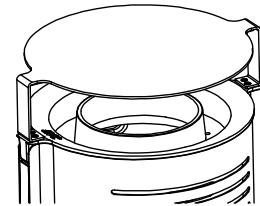
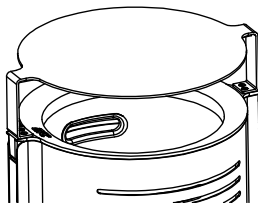
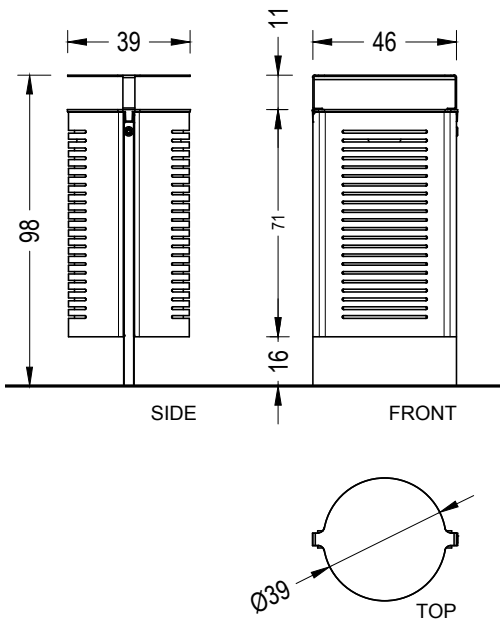
Gruss with ashtray



Gruss without ashtray



Gruss with cover / with cover and ashtray





The names, trademarks and industrial models of the products have been logged in the corresponding registers. The technical information provided by Escofet about its products can be modified without prior notice.

Escofet 1886 S.A
Head office and production

Montserrat, 162
E 08760 Martorell
Barcelona - España
T. 0034 937 737 150
F. 0034 937 737 151

info@escofet.com
www.escofet.com



GA-2005/0072 SST-0090/2010 ER-0403/2016