

The *Mook* bench is a unique urban furnishing element due to the precision of its dimensions and the appropriate use of the materials of the elements from which it is made. Its radically horizontal nature assumes the formal prominence of its lightweight appearance. The thin steel sections of the supports at the ends of the bench strike a contrast with the thickness and solidity of the wood, reinforcing the abstract and weightless aspect pursued by this design.

FSC® Certified Wood | 📏 222 cm | ⚖️ 82,5 kg | 🪛 4

🔄 Update 04.12.2019



Origin

Mook was developed within the context of the “Warsaw Designs” event, in which four architects were invited to design a bench for the city. The name *Mook* is the result of a play on words with the name of the Warsaw district Mokotow, where the author’s studio is located.

Modular

The bench is designed as a modular system for a single model with a length of 2.20 metres, for creating aggregations in long alignments that mark out and delimit public space.

Ergonomic

The height and inclination of the back, together with the seat height, enable the *Mook* bench to provide a comfortable resting position. Can be supplied with the armrest accessory.

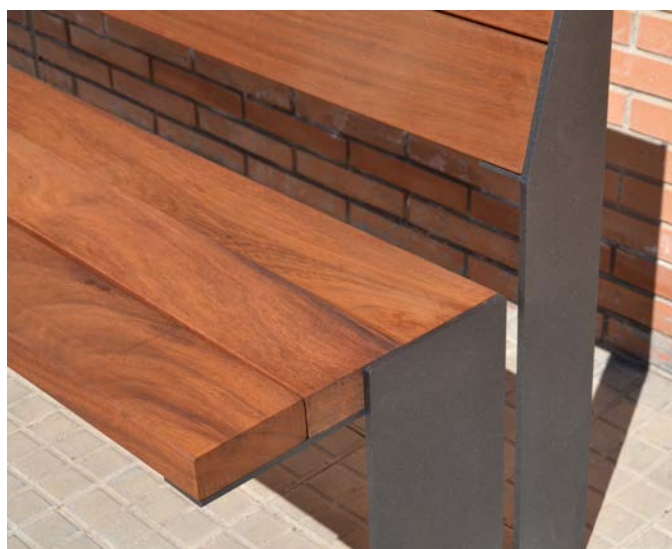
Material

A combination of sheet metal supports with a thickness of 10 mm and a single section formed by FSC®-certified tropical wood beams.

Installation

Anchored with 12 mm diameter rods, screwed into the embedded metal supports and fastened to the ground with epoxy resin.

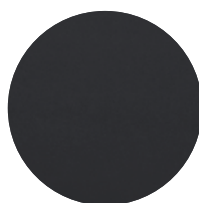




1. Bench

Mook	Chair	Bench 150	Bench 220
Dimensions	72 x 57 x 45 (84) cm	152 x 57 x 45 (84) cm	222 x 57 x 45 (84) cm
Weight <i>without armrest</i>	48 kg	66 kg	77 kg
<i>with armrest</i>	54 kg	72 kg	83 kg
1.1 General features			
Seat	FSC® Certified Tropical wood	Fixing	Anchored with screws
Finish	Treated with oil		
Supports	Zinc plated steel		
Finish	Forge Black coated finish. Category of atmospheric corrosivity C5 according to UNE EN ISO 12944-2.		

Colours



A. Tropical wood FSC®

B. Forge Black steel

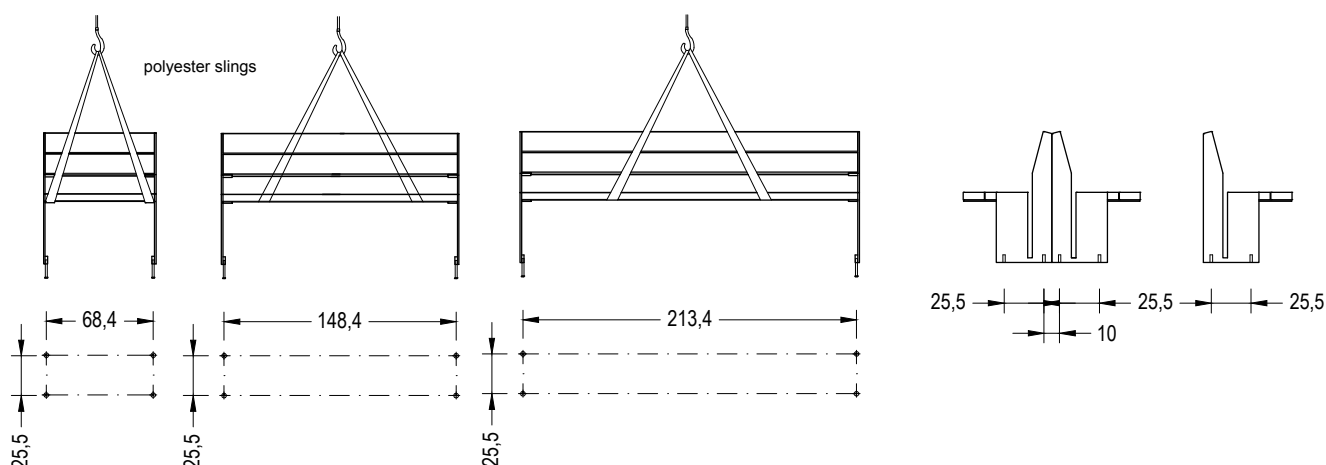
1.2 Installation system

Hoisting

(W= 48 kg / 54 kg / 66 kg / 72 kg / 77 kg / 83 kg)

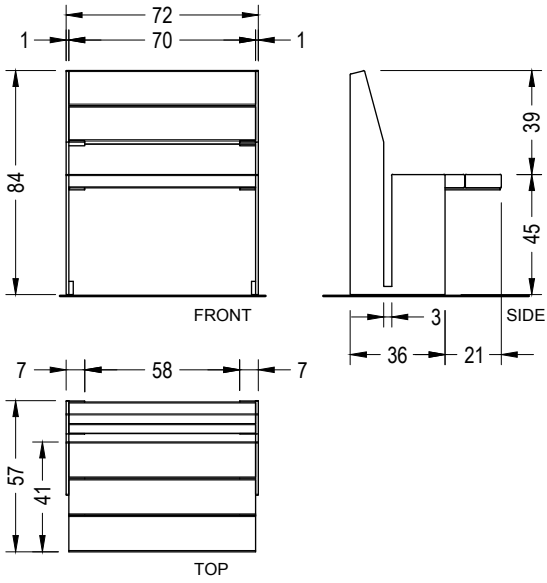
Installation

Drill pavement (Ø30 mm) and fill with resin. Tightly screw the 4 stud bolts M12 x200 mm. Center and caulk the bench foot all around.

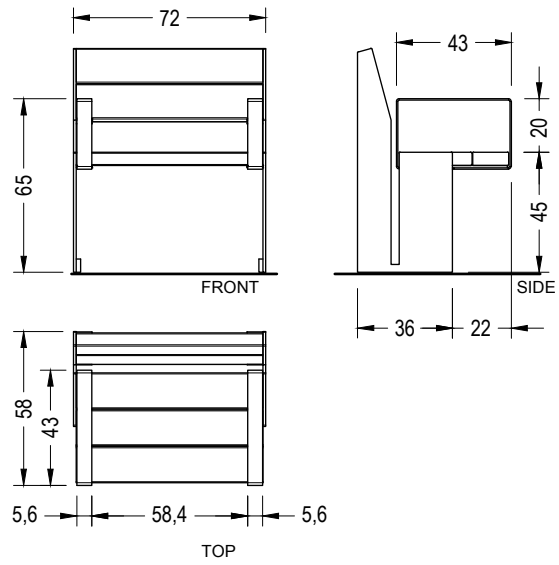


1.3 Geometry

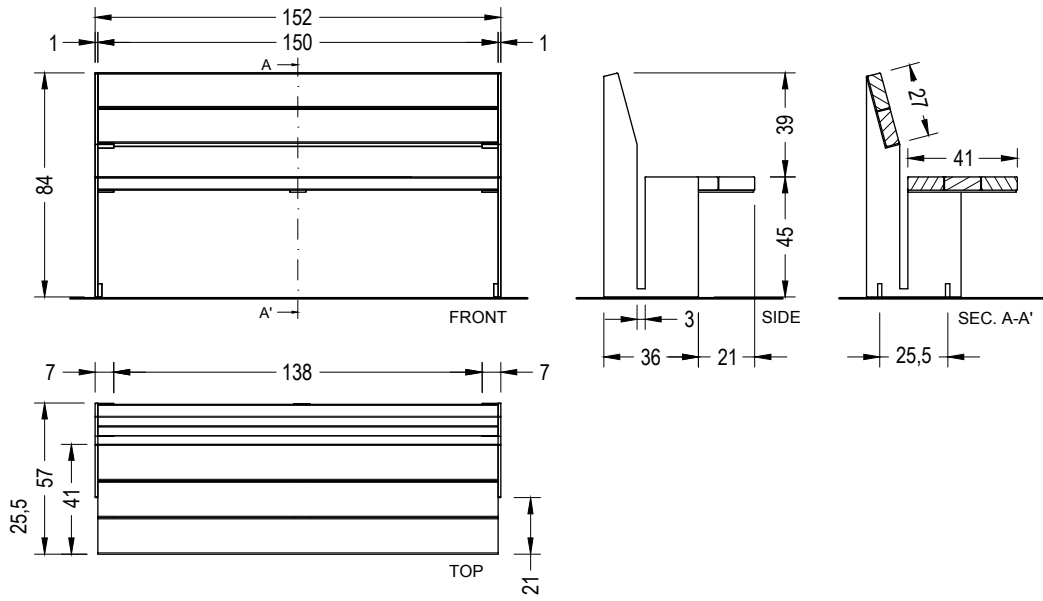
Chair



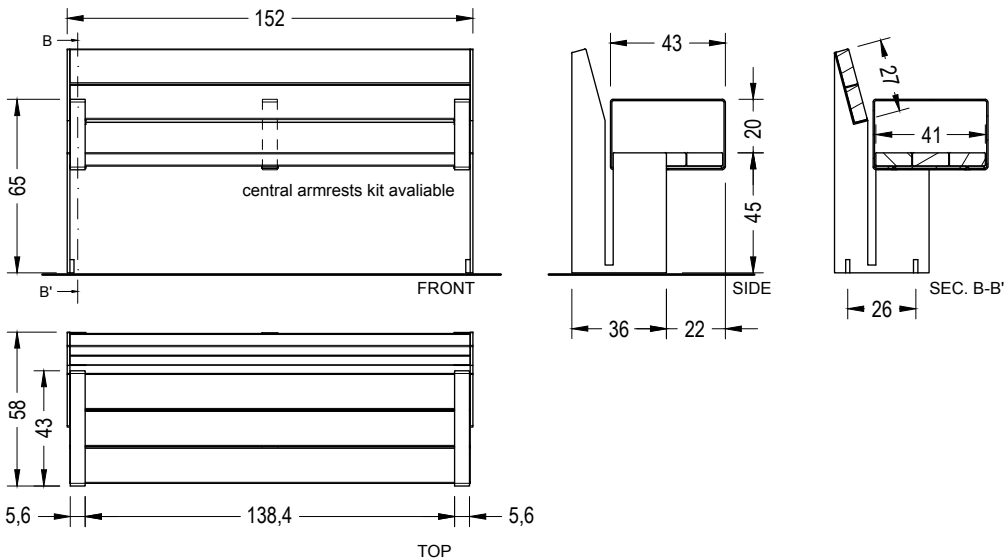
Chair armrest



Bench 150

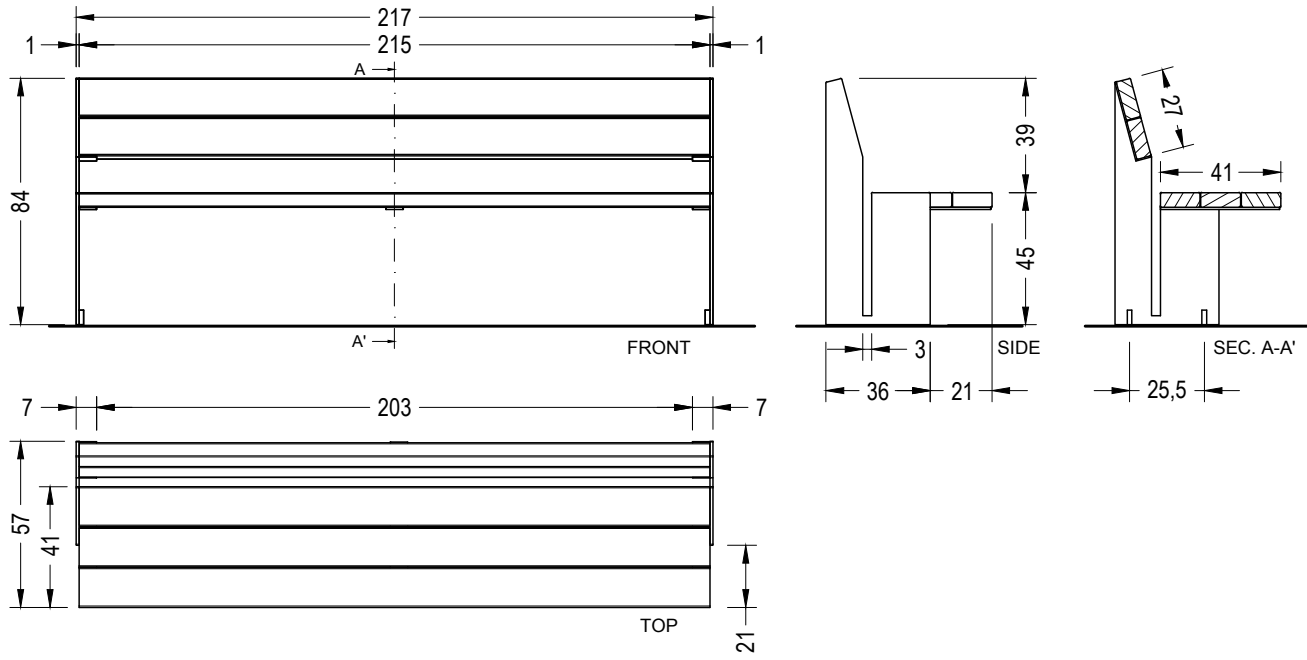


Bench 150 armrest

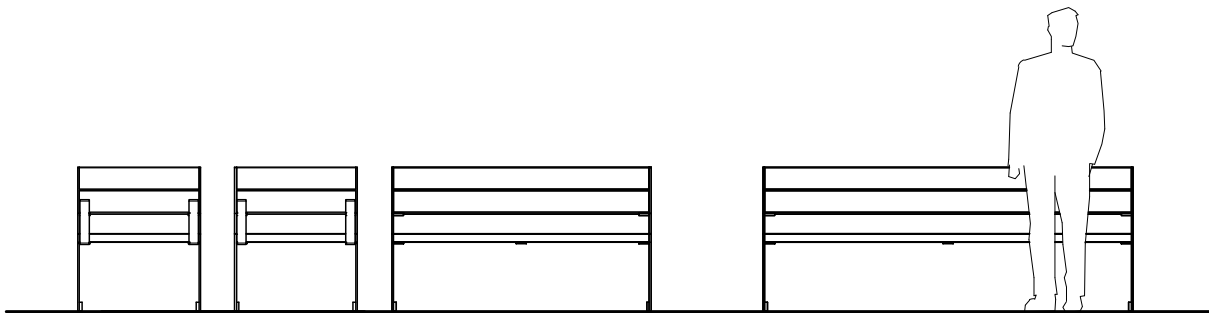
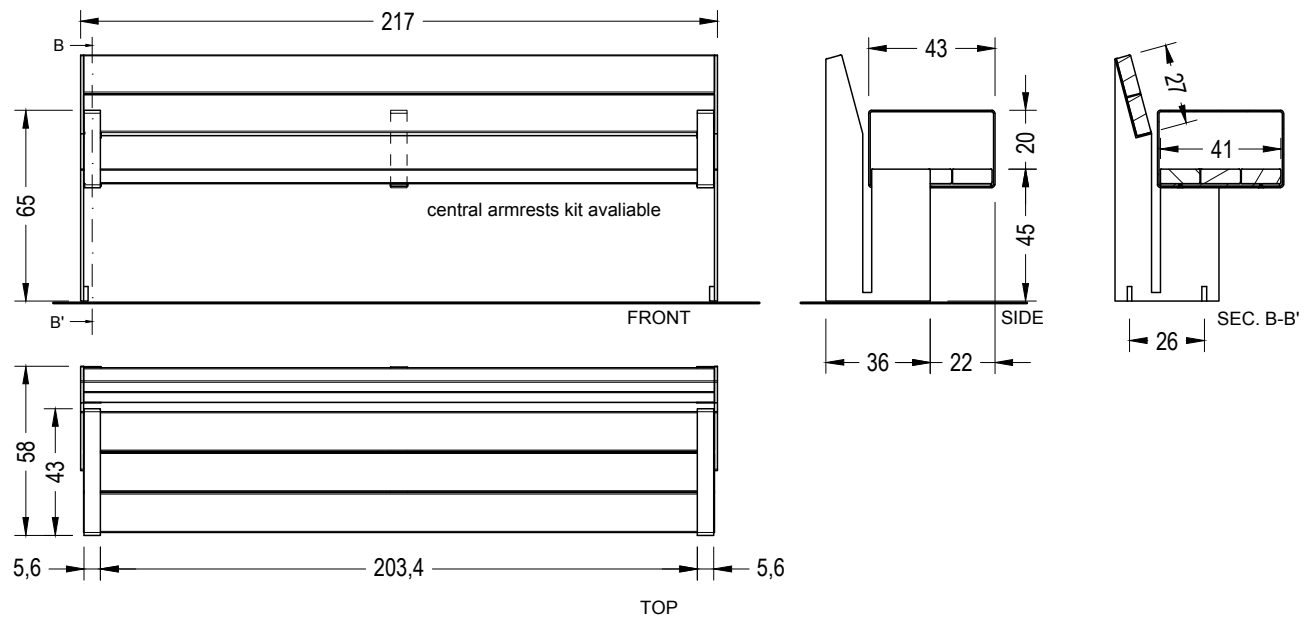


1.3 Geometry

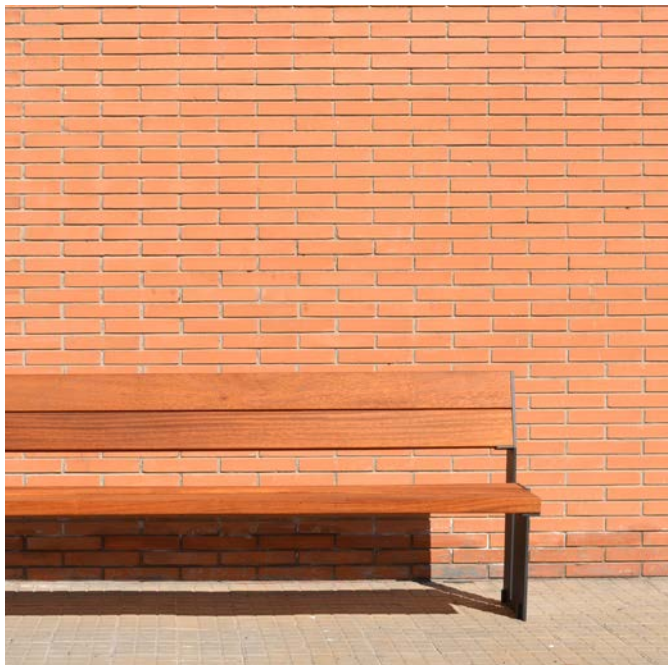
Bench 220



Bench 200 armrest







The names, trademarks and industrial models of the products have been logged in the corresponding registers. The technical information provided by Escofet about its products can be modified without prior notice.

Escofet 1886 S.A
Head office and production

Montserrat, 162
E 08760 Martorell
Barcelona - España
T. 0034 937 737 150
F. 0034 937 737 151

info@escofet.com
www.escofet.com



GA-2005/0072 SST-0090/2010 ER-0403/2016