

*Laurel & Hardy* is the result of a combination of a litter bin and ashtray in the form of two cylinders with different radii, for indoor or outdoor installation.

Concrete | Ø 48 cm/max | ⚖ 240 kg | 🗑 70 L

🔄 Update 28.05.2020



LAUREL & HARDY

Miguel Milá + Gonzalo Milá 2008

Escofet®

#### Origin

The comedy duo from the American post-war film era give their name to a combination of a slim ashtray and a larger litter bin, in a clear reference to the physical contrast between both actors.

#### Design

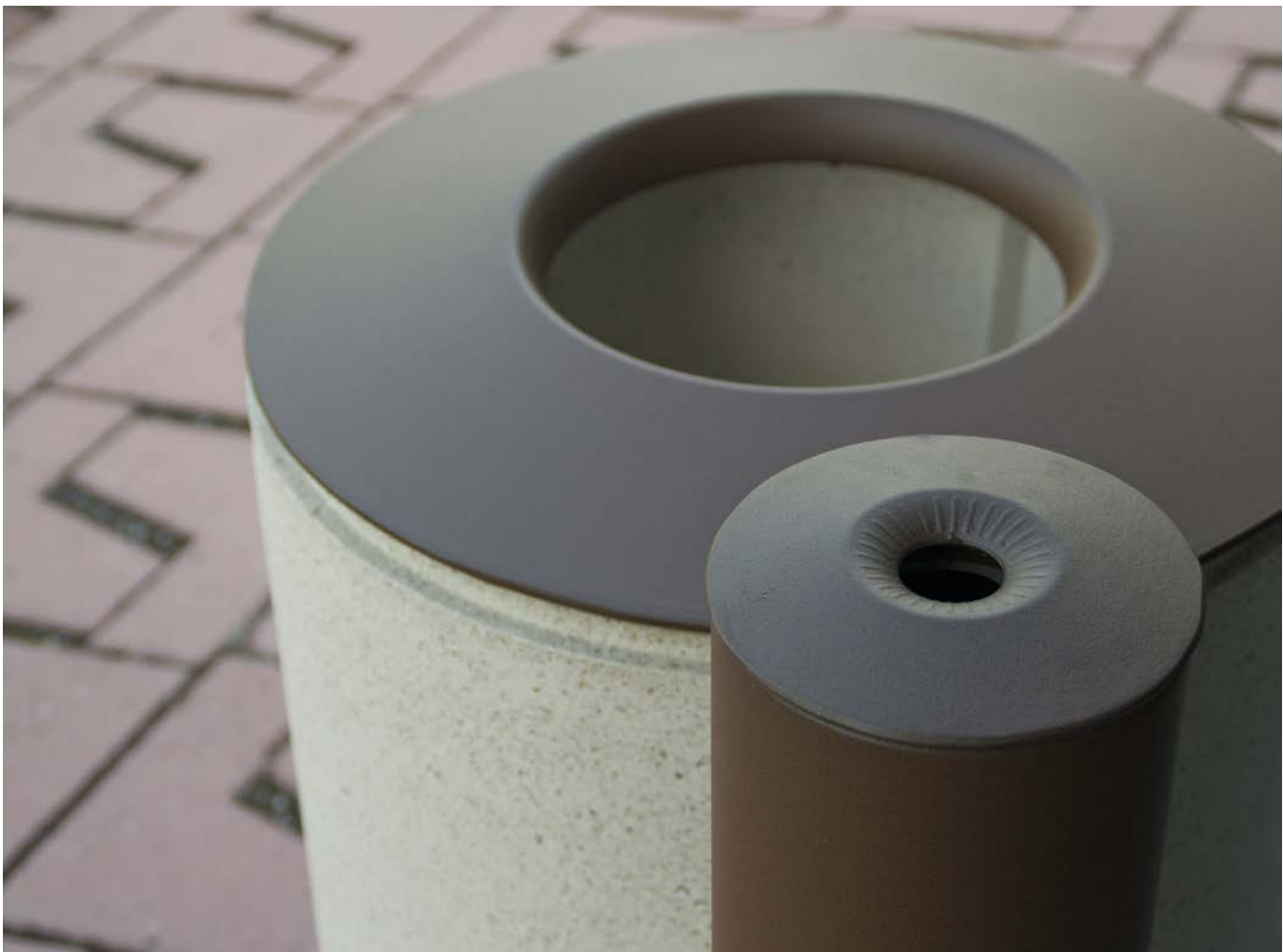
Both elements have a large capacity and can be installed in spaces for intensive use, both indoors and outdoors. The litter bin has a plastic bag fixed by an articulated stainless steel ring to the hinge of the lid, while the ashtray container is detachable and has an articulated part that allows its content to be emptied into the bin without becoming detached from the whole.

#### Material

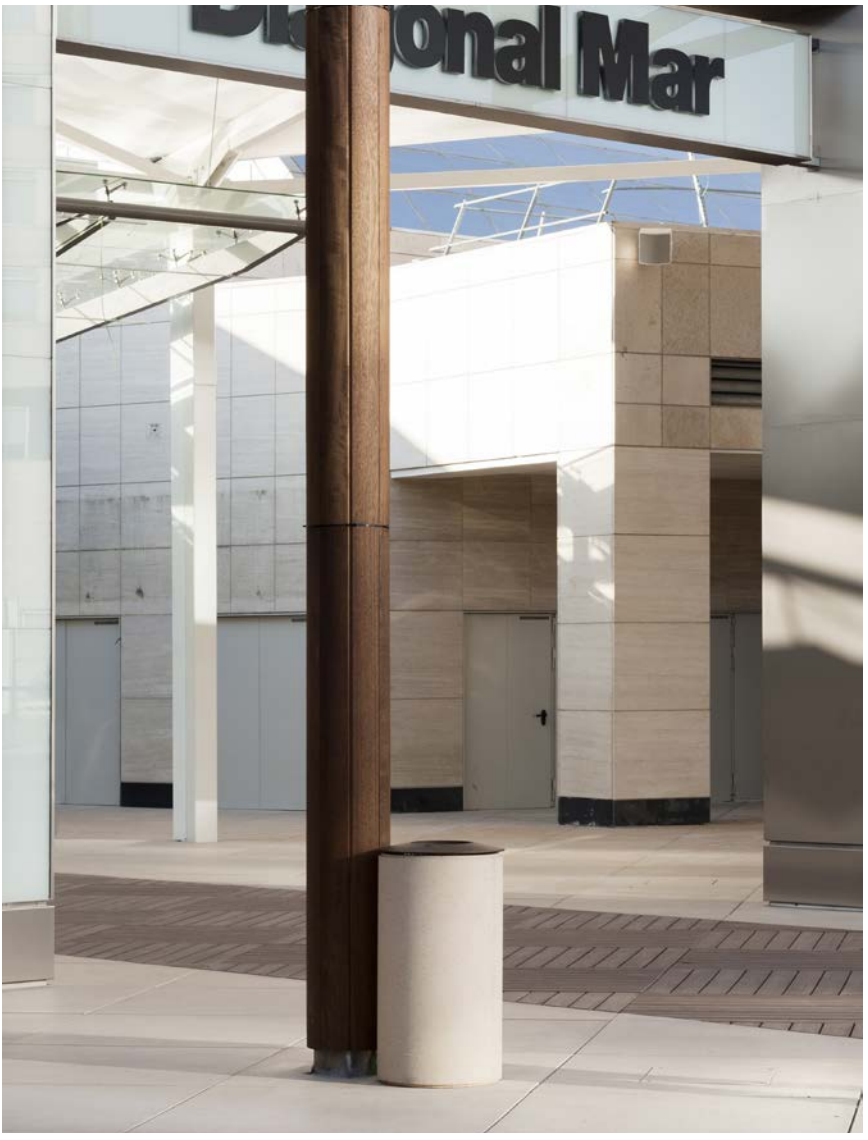
The elements have two finishes: grey concrete combined with smoky black cast aluminium lids and beige concrete with the aluminium accessories painted to give a “Corten steel” effect.

#### Installation

Both cylinders are attached to each other by two screw pins. Both *Laurel and Hardy* have an anchor to fix them to the paving, but the *Hardy* bin can be installed so that it is self-standing.



LAUREL & HARDY



Escofet®

# 1. Litter bin

Laurel & Hardy	Hardy	Laurel & Hardy
<b>Dimensions</b>	Ø48 x 88.5 cm	65 x 48 x 96 cm
<b>Weight</b>	210 kg	240 kg
<b>Capacity</b>	70 L	70 L

## 1.1 General features

<b>Material</b>	Reinforced concrete	<b>Fixing</b>	Anchored with screws
<b>Finish</b>	Etched and waterproofed		
<b>Lid</b>	Cast aluminium		
<b>Finish</b>	Coated finish. Category of atmospheric corrosivity C5 according to UNE EN ISO 12944-2.		

### Combination A

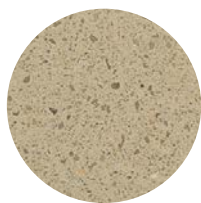


GR. Grey



A. Smoke-black

### Combination B



BG. Beige



B. Cor-ten effect

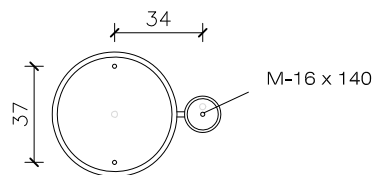
## 1.2 Installation system

### Hoisting

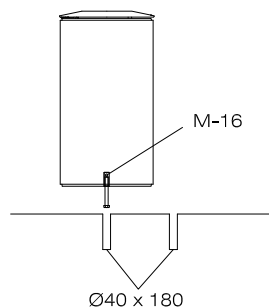
(W=210 kg / 240 kg)

### Installation

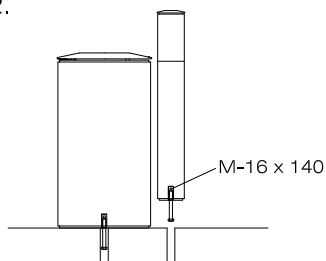
Tightly screw the 3 stud bolts M-16 x140.  
Drill pavement (Ø 40 x 180) and fill with resin or fat mortar. Center and caulk.



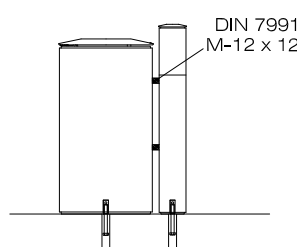
1.



2.

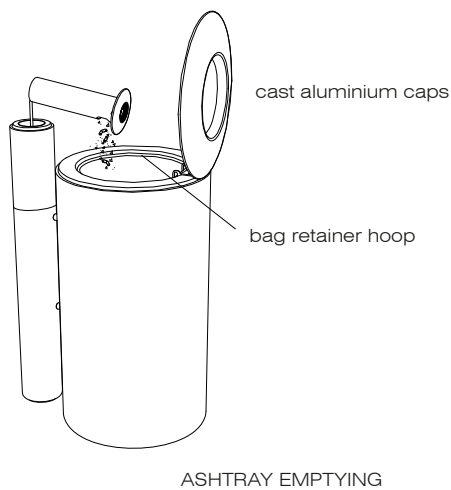
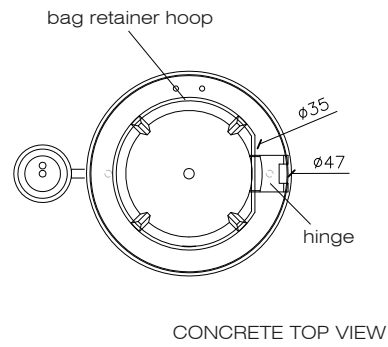
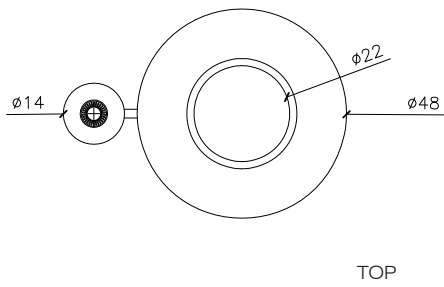
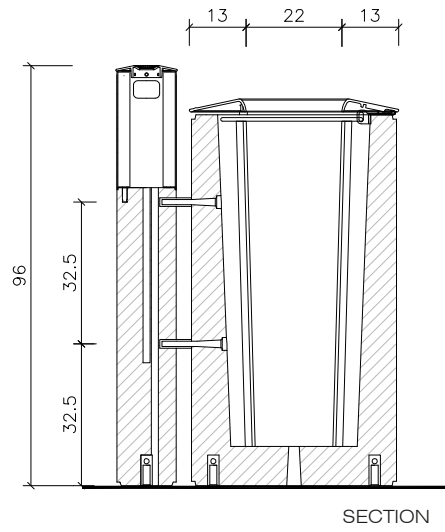
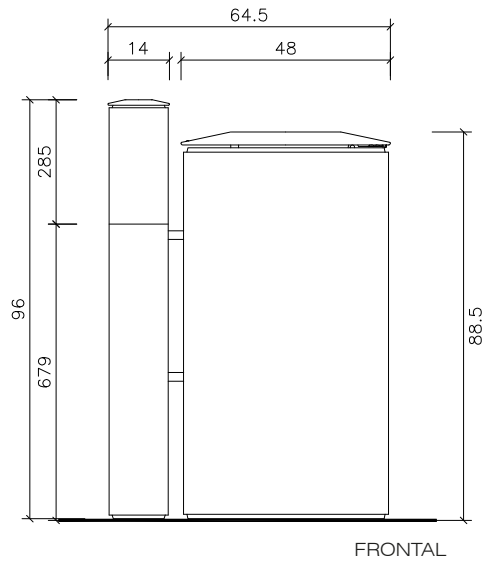


3.



## 1.3 Geometry

Laurel & Hardy



LAUREL & HARDY

Escofet<sup>®</sup>



## Warranty

5 years in concrete elements.

The names, trade marks and industrial models of the products have been deposited in the corresponding registries. The technical information provided by Escofet about its products may be modified without prior notice.

Escofet 1886 S.A  
Head office and production

Montserrat, 162  
E 08760 Martorell  
Barcelona - España  
T. 0034 937 737 150  
F. 0034 937 737 151

info@escofet.com  
www.escofet.com



GA-2005/0072 SST-0090/2010 ER-0403/2016