

*Push* is a boundary marker and occasional seat made from concrete, in the shape of a series of small cylinders that appear to float on the paving, to separate public pedestrian space from areas with traffic.

Concrete | Ø 30 cm | 64 kg

🔄 Update 24.08.2020



PUSH

SCOB arquitectes 2015

Escofet®

#### Origin

It responds to the need for the development of a series of concrete elements that function as markers and/or occasional seats in the project for the remodelling of Plaza Urdanibia in the historical centre of Irún in Guipuzcoa.

#### Design

The cylindrical concrete volume has a baseboard of 3 cm that separates it from the ground, leaving a shadow joint.

#### Material

*Push* is a small moulded concrete element with an etched finish and is supplied in the standard *Escofet* chart colours

#### Installation

It is designed to be anchored to the paving with three threaded M16 x 140 mm screws inserted and fastened with resin in holes with a diameter of 25 mm.



PUSH



Escofet®

# 1. Boundary

**Push**

**Dimensions** Ø30 x 40 cm

**Weight** 64 kg

## 1.1 General features

**Material** Concrete      **Fixing** Anchored with screws

**Finish** Etched and waterproofed

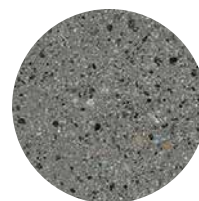
### Colours



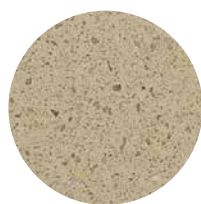
**GR.** Grey



**BL.** White



**CA.** CA Grey



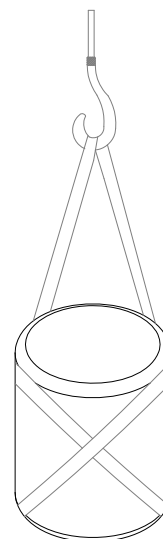
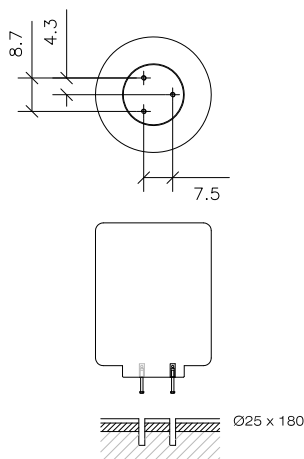
**BG.** Beige

## 1.2 Installation system

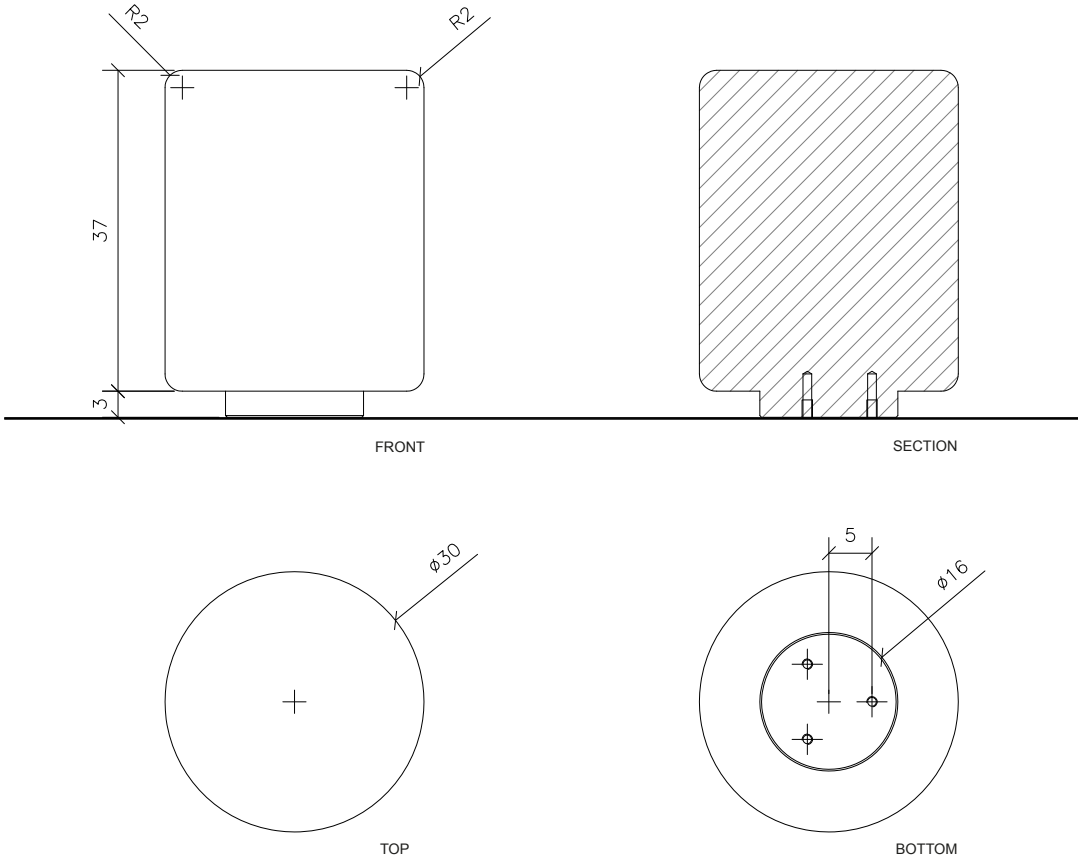
**Hoisting**  
(W= 64Kg)

### Installation

Tightly screw the 3 stud bolts M-12x140 mm. Drill pavement (Ø40x180 mm) and fill with resin or fat mortar. Center and caulk the bench foot all around.



Push





## Warranty

5 years in all its components.

The names, trademarks and industrial models of the products have been logged in the corresponding registers. The technical information provided by Escofet about its products can be modified without prior notice.

Escofet 1886 S.A  
Head office and production

Montserrat, 162  
E 08760 Martorell  
Barcelona - España  
T. 0034 937 737 150  
F. 0034 937 737 151

info@escofet.com  
www.escofet.com



GA-2005/0072 SST-0090/2010 ER-0403/2016