

Box Planter includes two models. One of rectangular format of the same longitudinal dimension as the *Box 200* bench and a second square-sized planter of 100 cm side. Both are born to re-naturalize the city by formalizing linear aggregations of planters combined with *Box* benches, as well as in a timely manner as isolated planters.

Concrete | 📏 200 cm | ⚖️ 534 kg | 🗑️ 220 L

🔄 Update 21.09.2020



Modular

Box rectangular or square modular planters can be added laterally or longitudinally to all models of the *Box* bench collection.

Ecological

Environmentally-sustainable product with an external natural stone finish using local recycled aggregates and eco-labelling based on ISO 14201, in a formulation that replaces the use of natural aggregates. ECO-Grey® with the CE marking and TÜV certificate.

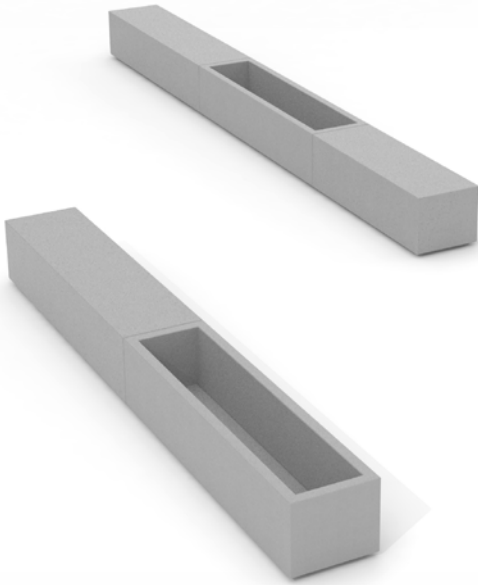
Material

Moulded concrete and stripped finish with recycled aggregate options: ECO-Grey® with recycled concrete aggregates for models manufactured in grey.

Installation

Resting on the paving, and optionally anchored with two screws threaded through sleeves recessed in base. Sunken baseboard with sling mounting holes to facilitate transport and installation.





1. Planter

Box Planter	Rectangular	Square
Dimensions	200 x 50 x 45 cm	100 x 100 x 45 cm
Weight	534 kg	475 kg
Capacity	220 L	245 L

1.1 General features

Material	Concrete Recycled concrete	Fixing	Free-standing / Anchored with screws
----------	-------------------------------	--------	---

Finish	Etched and waterproofed
--------	-------------------------

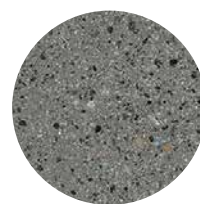
Colours



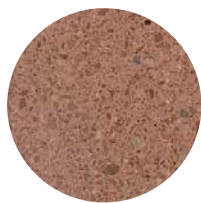
GR. Grey



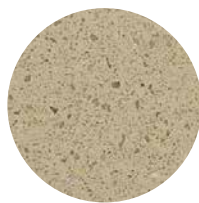
BL. White



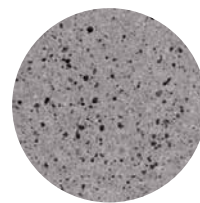
CA. CA Grey



RA. Red



BG. Beige



EGR. Eco-Grey®

1.2 Installation system

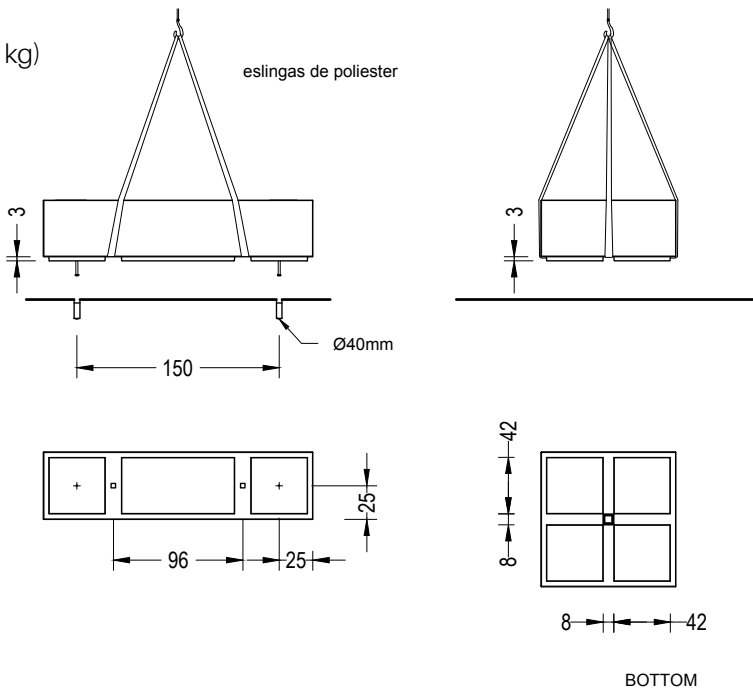
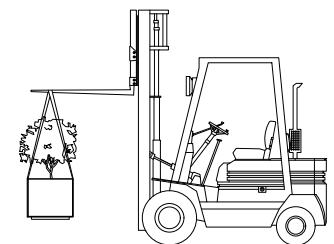
Hoisting

W= 534 kg (with soil 908 kg) / 475 kg (with soil 892 kg)

Installation

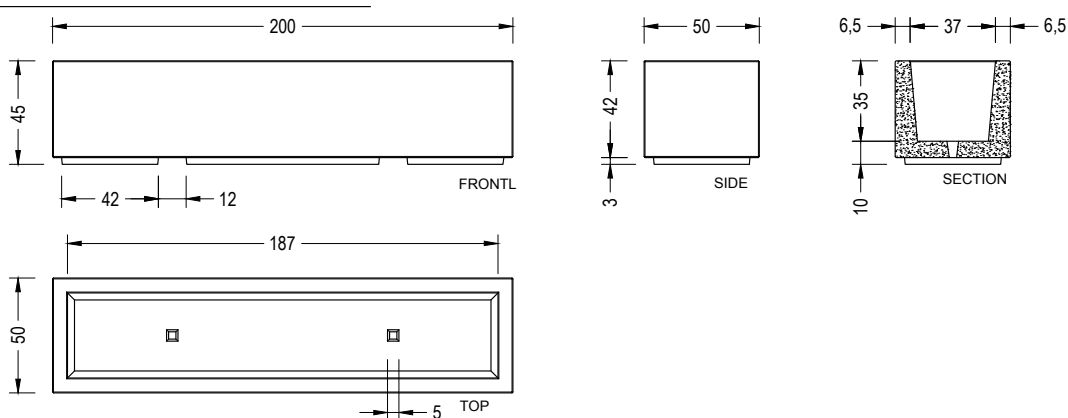
Tightly screw the 2 bolts M16 x 140 mm, then, drill pavement (Ø40x180 mm) and fill with resin or fat mortar and finally, center and place.

Box Planter is supplied with integral holes in feet to enable movement, post-planting, by forklift

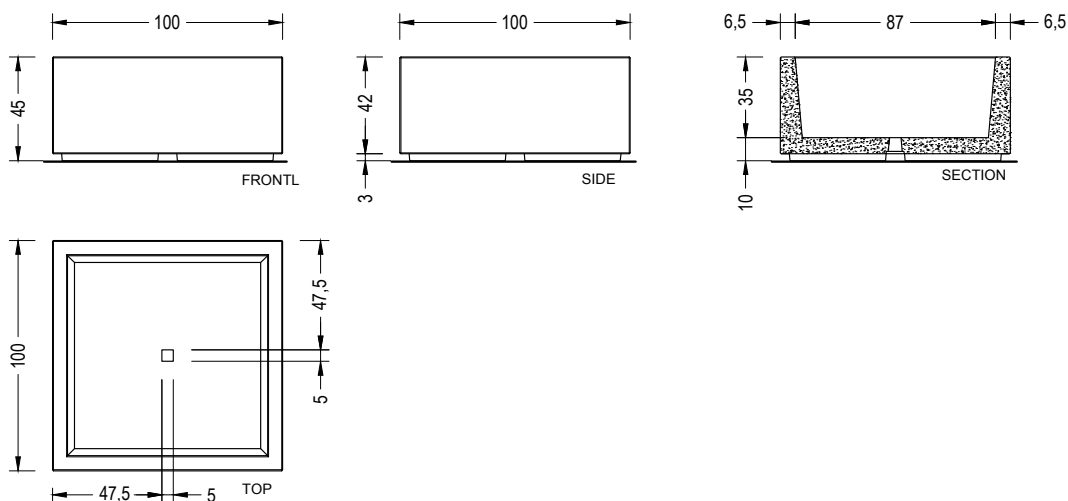


1.3 Geometry

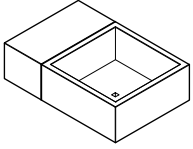
Box Planter Rectangular



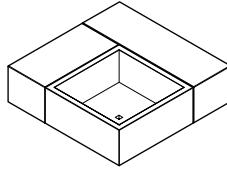
Box Planter Square



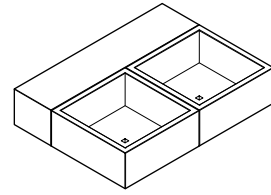
1.4 Aggregations Box Planter



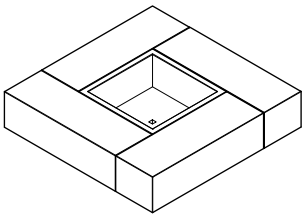
Box Planter Square, Box 100



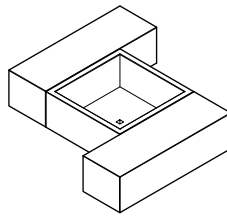
Box Planter Square, Box 100, 150



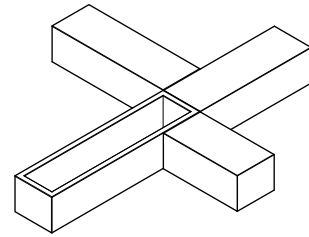
Box Planter Square, Box 200



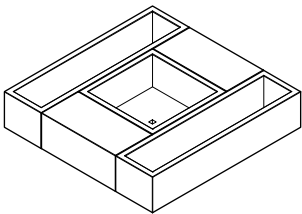
Box Planter Square, Box 150



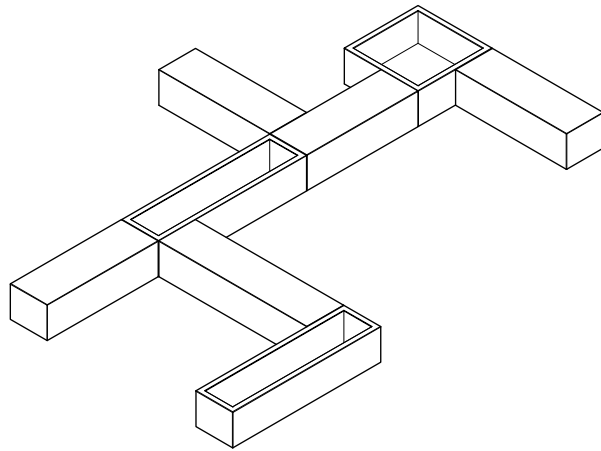
Box Planter Square, Box 150



Box Planter Square, Box 100, 150



Box Planter Square, Box Planter Rectangular, Box 100



Box Planter Square, Box Planter Rectangular, Box 150, 200

BOX PLANTER





Warranty

5 years in concrete elements.

The names, trademarks and industrial models of the products have been logged in the corresponding registers. The technical information provided by Escofet about its products can be modified without prior notice.

Escofet 1886 S.A
Head office and production

Montserrat, 162
E 08760 Martorell
Barcelona - España
T. 0034 937 737 150
F. 0034 937 737 151

info@escofet.com
www.escofet.com



GA-2005/0072 SST-0090/2010 ER-0403/2016