

Hydra is a multifunctional modular backless bench with a simple geometry, which, in aggregations, creates a boundary that also serves as a continuous bench. The *Hydrabike* version of the module has slots for bicycle wheels, assuming the function of an occasional bike stand. A threaded eye bolt at the bottom of the seat allows the bike to be tied to the bench.

Concrete | 200 cm | 515 kg | 4

Update 19.06.2020



Origin

The backless bench was originally designed in the *Hydrabike* version, and was later converted into an “ad hoc” complement of the *Hydra* bench, for general use as a boundary bench on a sea promenade.

Modular

In linear aggregations, the *Hydrabanc* and *Hydrabike* modules, both with a length of 2 metres, can be combined.

Material

Bench made from concrete reinforced with stainless steel with an acid-etched finish in the Escofet catalogue standard chart colours. Optional threaded stainless steel eye bolts recessed in sleeves below the surface of the seat in the *Hydrabike* module.

Installation

The *Hydra* backless bench is installed on the paving with three M16 x 140 mm screws per module and fastened with epoxy resin in holes with a diameter of 40 mm previously drilled in the paving.





1. Modular backless bench and bicycle parking

Hydra	Hydrabike	Hydrabanco	
Dimensions	200 x 50 x 40 cm	200 x 50 x 40 cm	
Weight	500 kg	515 kg	
1.1 General features			
Material	Reinforced concrete	Fixing	Anchored with screws
Finish	Etched and waterproofed		

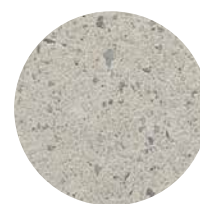
Colours



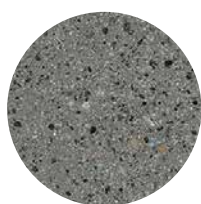
GR. Grey



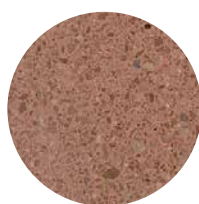
NG. Black



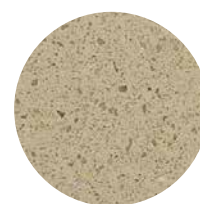
BL. White



CA. Grey CA



RA. Red



BG. Beige

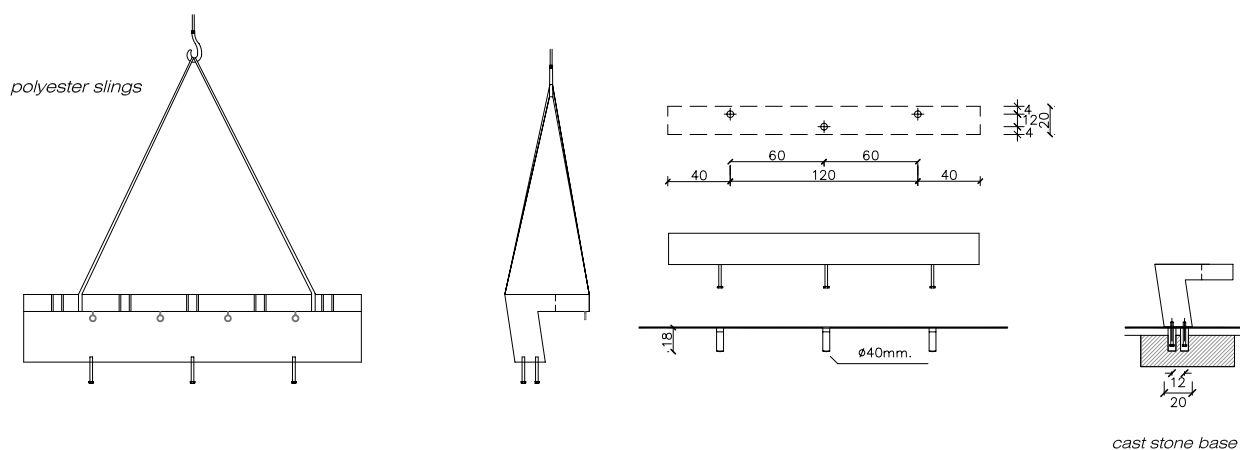
1.2 Installation system

Hoisting

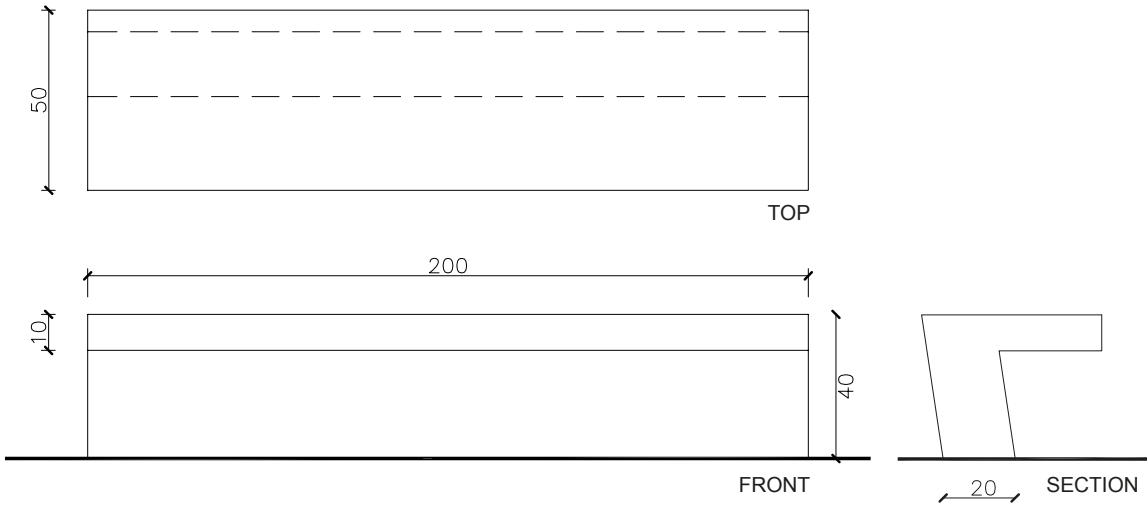
(W=500 kg / 515 kg)

Installation

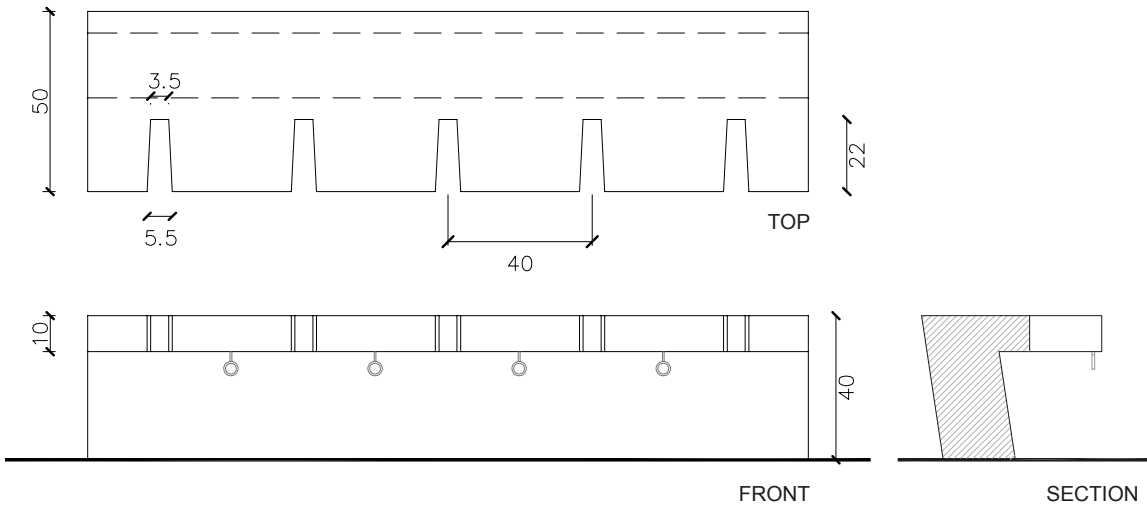
Drill pavement (Ø14 x 180 mm) and fill with resin or fat mortar. Tightly screw the 3 stud bolts M16x140 mm. Center and caulk the bench foot all around.



Hydrabanco



Hydrabike





Warranty

5 years in all its components.

The names, trademarks and industrial models of the products have been logged in the corresponding registers. The technical information provided by Escofet about its products can be modified without prior notice.

Escofet 1886 S.A
Head office and production

Montserrat, 162
E 08760 Martorell
Barcelona - España
T. 0034 937 737 150
F. 0034 937 737 151

info@escofet.com
www.escofet.com



GA-2005/0072 SST-0090/2010 ER-0403/2016