

Marina is presented in the form of a backless bench and a seat, completed by a table. All the elements are covered with teak timber board at the top, to guarantee stability and optimal conservation in outdoor conditions. Its neutral, abstract design means it can be easily installed individually in any environment, in an aligned formation or in flexible arrangements consisting of tables and benches.

UHPC | 📏 220 cm/max | ⚖️ 255 kg | 🪑 4

🔄 Update 09.09.2020



Robust

The UHPC-Slimconcrete technology allows for the design of extremely durable, lightweight elements with a minimum structural cross-section, due to their high resistance to compression, bending, impact and wear. The extremely low water absorption properties of this material improve its behaviour in the face of fragmentation due to freeze cycles in places with harsh climates.

Adaptable

The *Marina* collection has two formats, a backless bench and a seat, completed with a table. Its neutral, abstract design means it can easily be installed individually in any environment, in an aligned formation or in flexible arrangements consisting of tables, backless benches and seats.

Sustainable

The lightweight nature of the UHPC-Slimconcrete products makes them easy to transport and reduces energy consumption in their fabrication. Their 100% recyclable material composition optimises their life cycle.

Material

UHPC-Slimconcrete and solid teak timber board similar to those used on ship decks, with black bitumen-rubber joints.

Installation

The four models can easily be lifted and handled with slings and can be installed with supports or optionally anchored to the paving. No specific foundation elements are required.





1. Table, backless bench and stool

Marina	Backless bench	Table	Stool
Dimensions	220x60x45 cm	220x905x75 cm	60x60x45 cm

Weight	255 kg	378 kg	125 kg
---------------	--------	--------	--------

1.1 General features

Material	UHPC concrete	Colocación	Anchored with screws
-----------------	---------------	-------------------	----------------------

Finish	Etched and waterproofed	Seat	Teak Wood
---------------	-------------------------	-------------	-----------

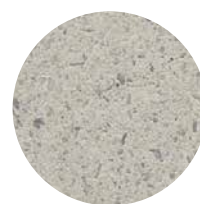
Colours



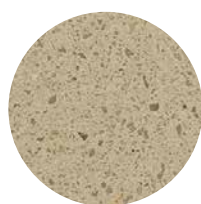
UHPC GR. Grey



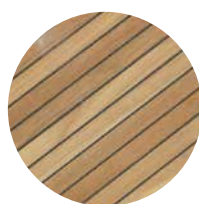
UHPC NG. Black



UHPC BL. White



UHPC BG. Beige

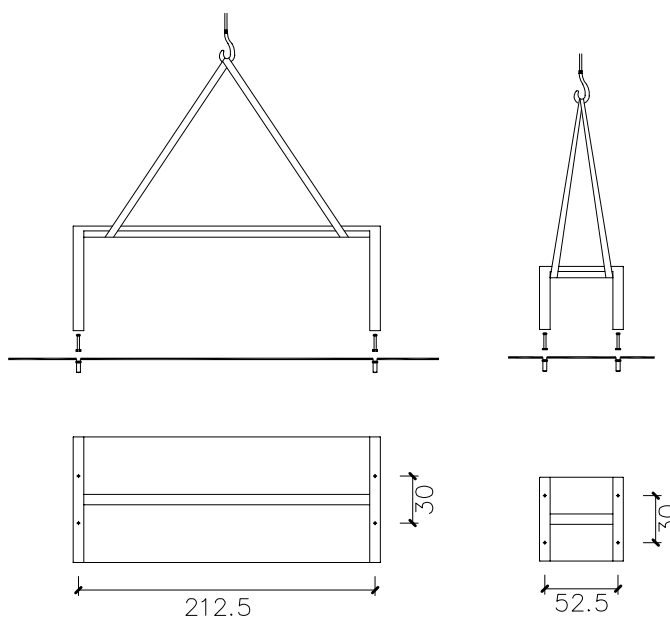


A. Teka

1.2 Installation system

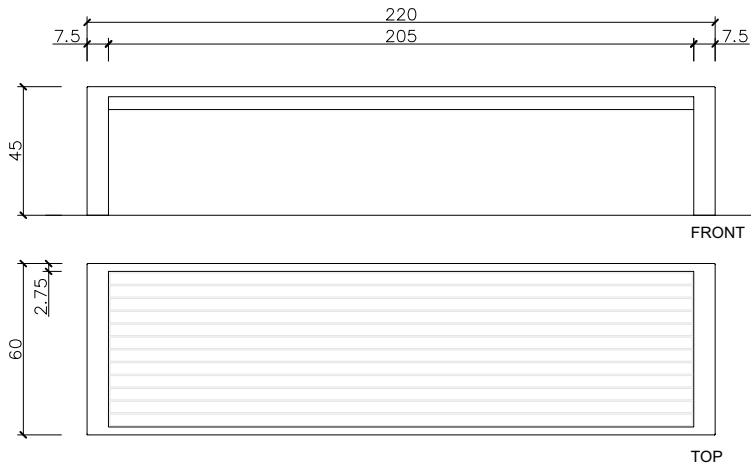
Hoisting
(W=125 kg / 255 kg / 378 kg)

Installation
Drill pavement Ø 14 and fill with resin or fat mortar.
Tightly the screw the 4 stud bolt M12 x 140. Centre and caulk and fill up the embedding zone.

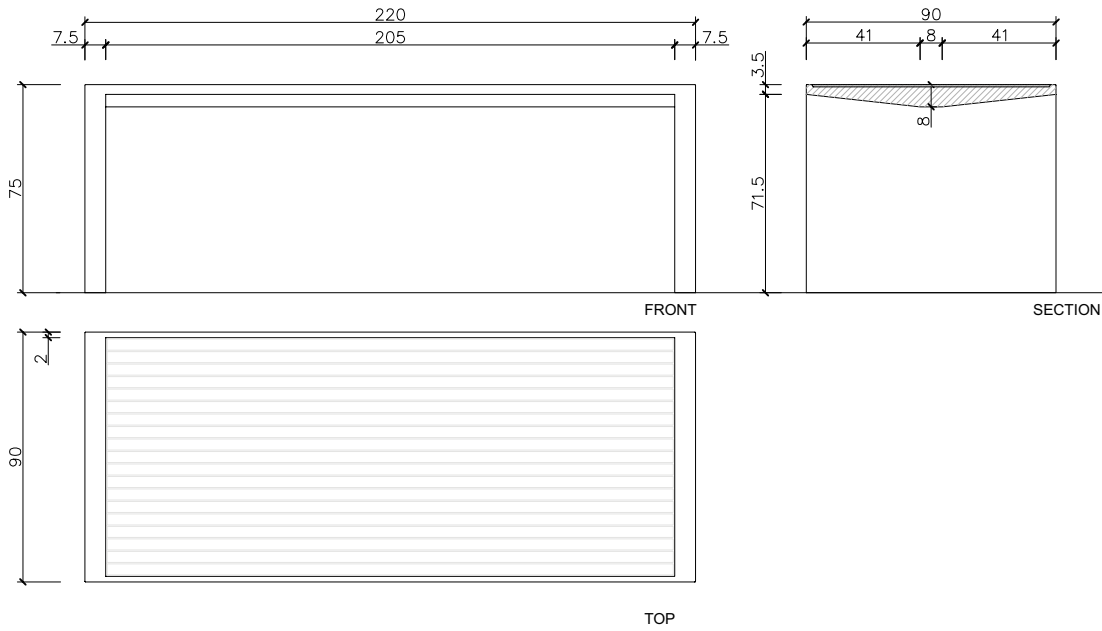


1.3 Geometry

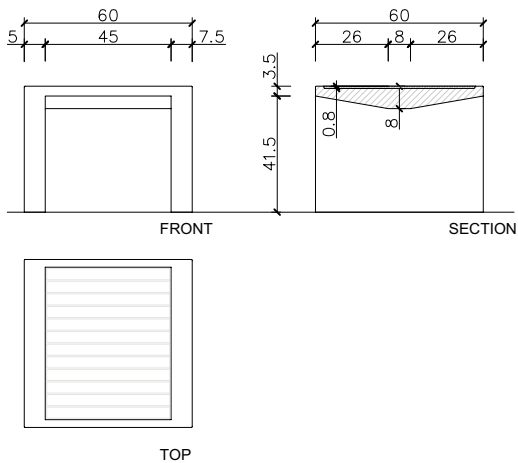
Backless bench



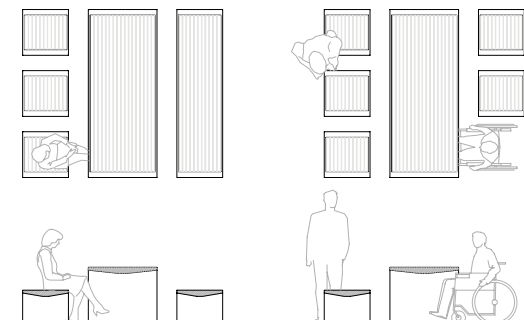
Table

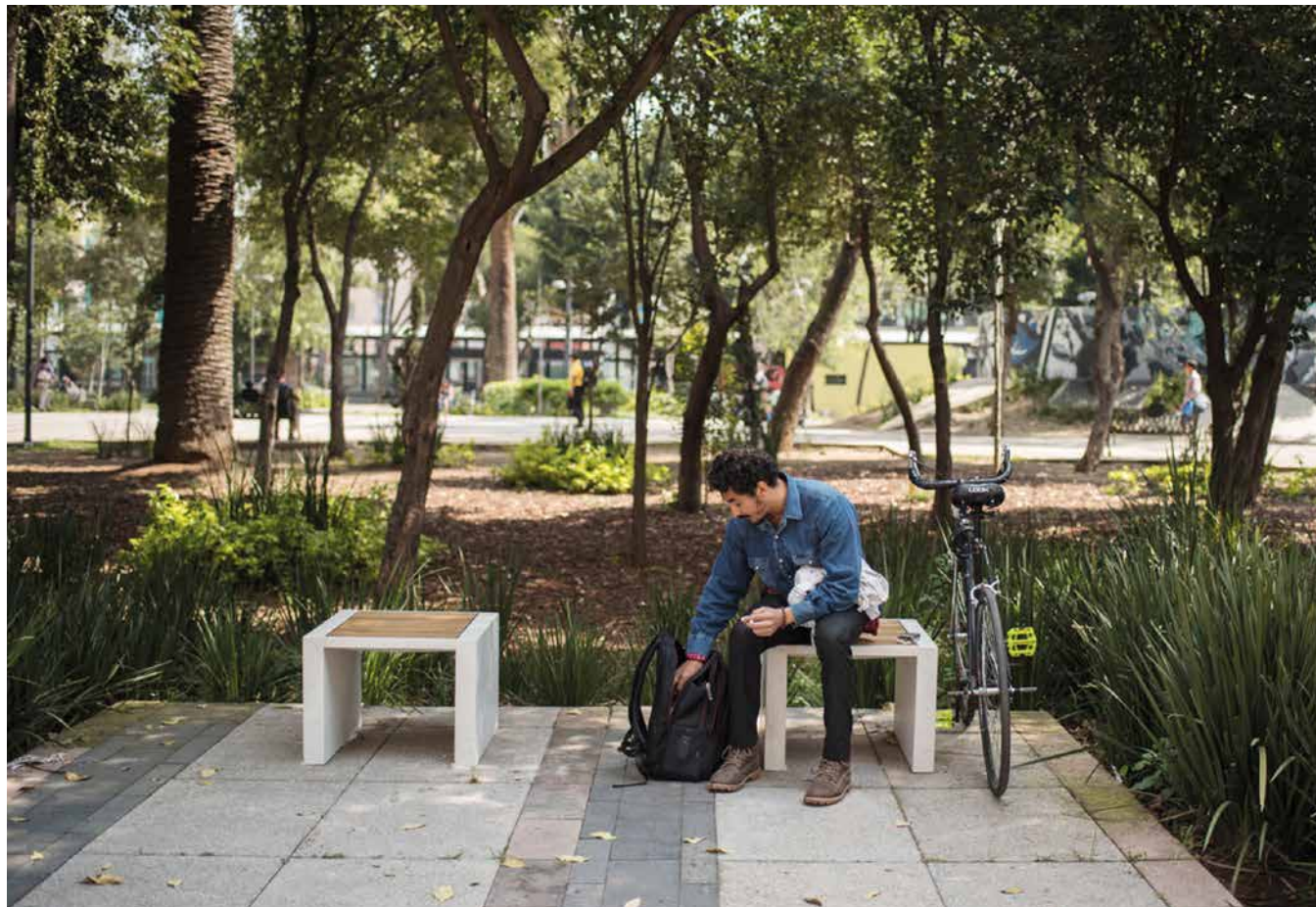


Stool



Aggregation





Warranty

5 years in concrete elements.

The names, trademarks and industrial models of the products have been logged in the corresponding registers. The technical information provided by Escofet about its products can be modified without prior notice.

Escofet 1886 S.A
Head office and production

Montserrat, 162
E 08760 Martorell
Barcelona - España
T. 0034 937 737 150
F. 0034 937 737 151

info@escofet.com
www.escofet.com



GA-2005/0072 SST-0090/2010 ER-0403/2016