



Garonne is a set of three modular backless benches; *Garonne Aran*, *Garonne Toulouse* and *Garonne Bordeaux*, with rounded top corners, symbolising the effects of the river that has eroded its edges. In the *Garonne Aran* and *Bordeaux* models, the seat has two different heights for use as a “chaiselongue”. The smaller one is adapted for children.

Concrete |  200 cm/max |  1230 kg |  8

Add-ons:  | 

 Update 18.05.2020



Origin

The *Garonne* backless bench was designed for the stations of the first Toulouse tramway line, now known as Ligne Garonne, as its recent extension makes it necessary for it to cross this river. *Aran* is the name of the valley where the river *Garonne* rises, *Toulouse* is the city in the middle of the river, and *Bordeaux* is the name of the city where it flows into the Atlantic.

Design

The overall dimensions of three models, *Aran*, *Toulouse* and *Bordeaux*, is 200 x 60 cm and 45 cm in height. *Bordeaux* model has a depressed area of 31 cm on the surface of the seat joined to the upper plane by an inclined plane, on the contrary *Aran* has an emergent profile. The 5 cm baseboard, which is set back, conceals the support surface, allowing its weightless mass to levitate above its shadow.

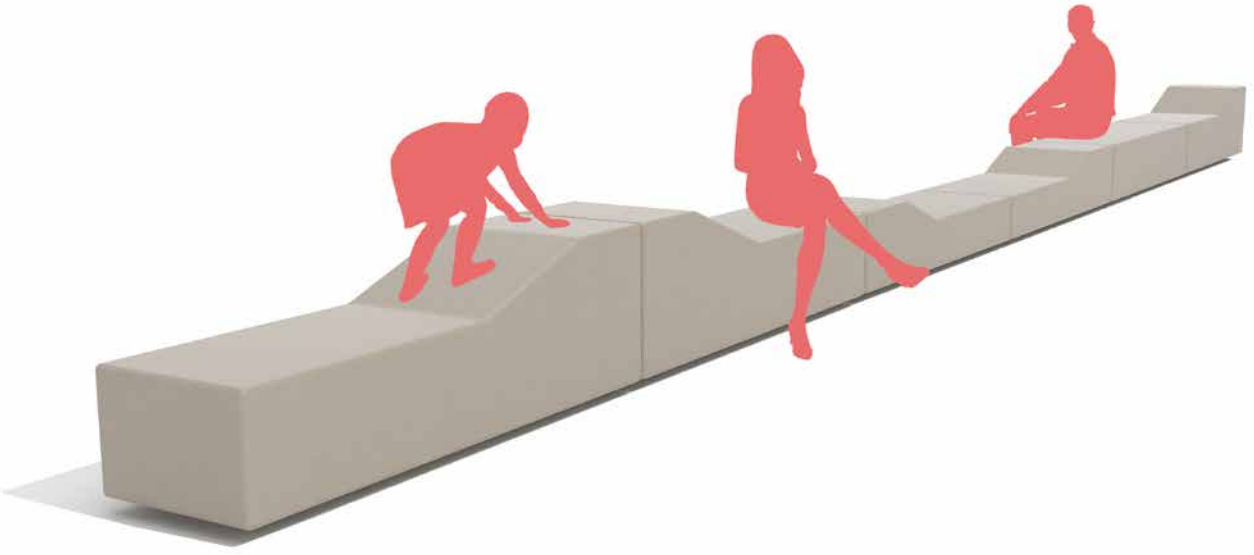
Material

Moulded concrete with an acid-etched finish and in the *Escofet* catalogue standard chart colour.

Installation

Resting on the paving, and optionally anchored with two screws threaded through sleeves recessed in base.





1. Backless bench

Garonne	Bordeaux	Toulouse	Aran
Dimensions	200 x 60 x 45 (31) cm	200 x 60 x 45 cm	200 x 60 x 45 (65) cm
Weight	970 kg	1230 kg	1410 kg
1.1 General features			
Material	Concrete	Fixing	Anchored with screws
Finish	Etched and waterproofed		

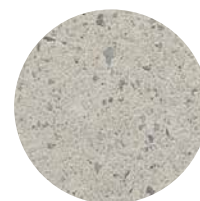
Colours



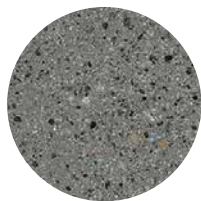
GR. Grey



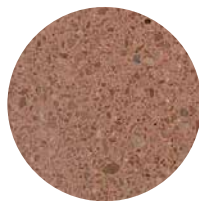
NG. Black



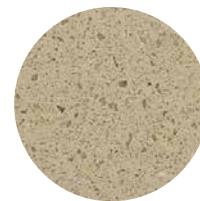
BL. White



CA. CA Grey



RA. Red



BG. Beige

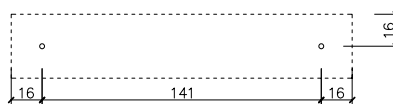
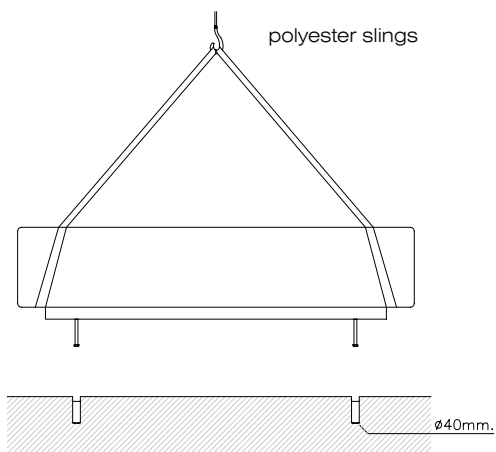
1.2 Installation system

Hoisting

(W=970 kg / 1230 kg / 1410 kg)

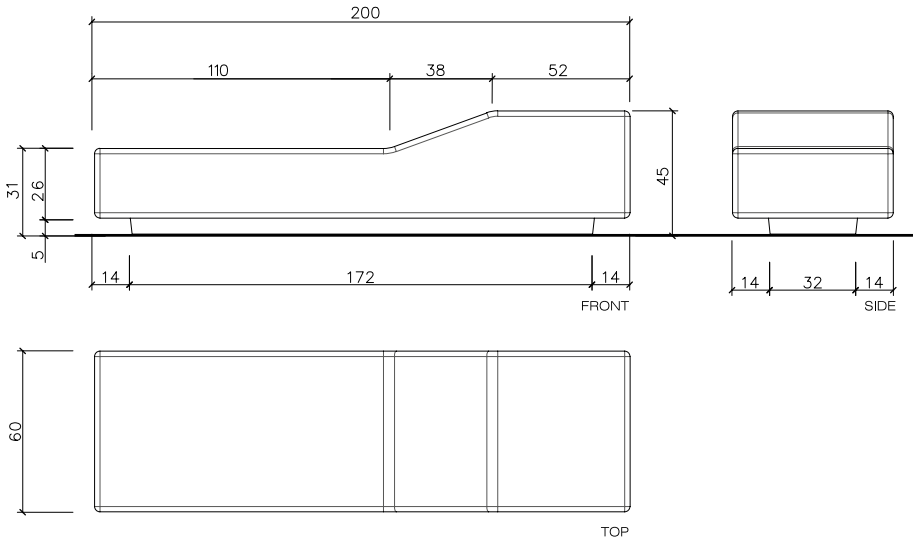
Installation

Tightly screw the 2 bolts (Ø16 x 140), drill pavement and fill with resin.

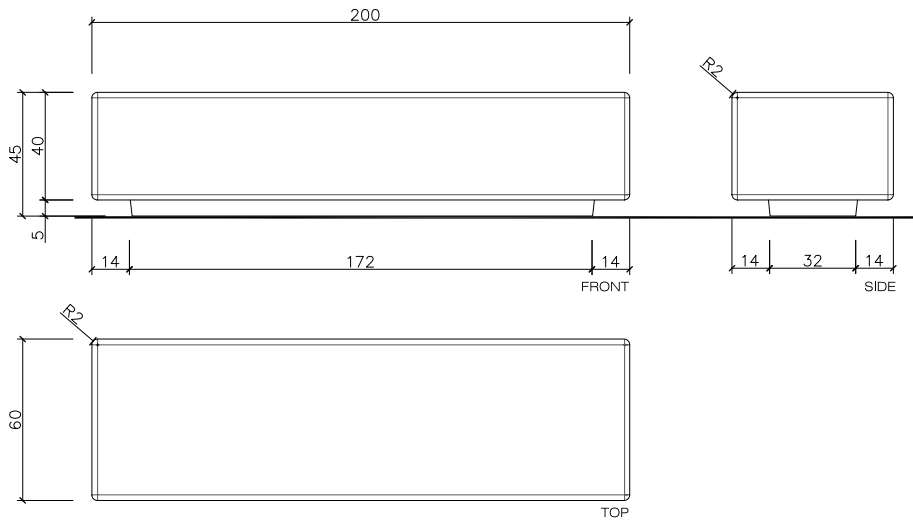


1.3 Geometry

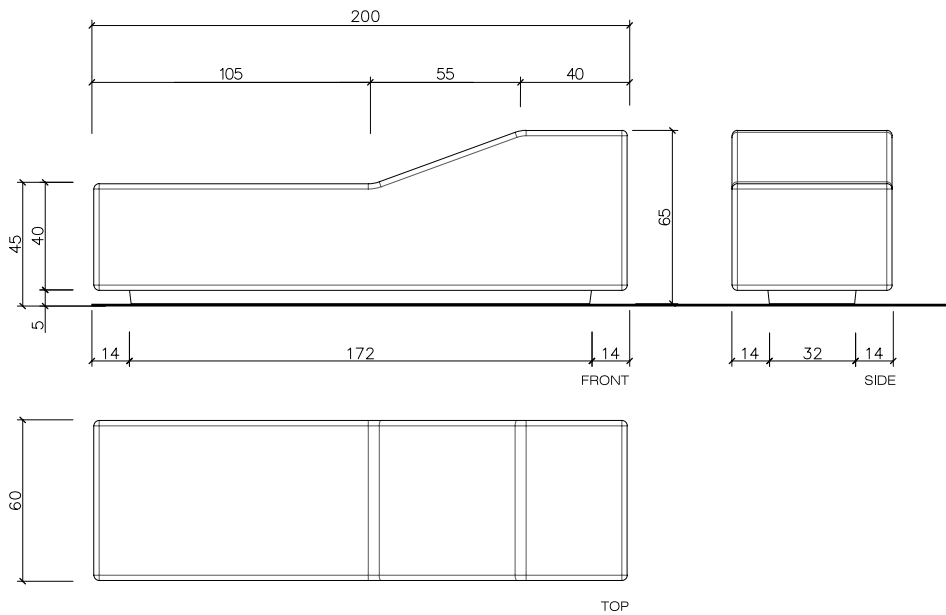
Garonne Bordeaux



Garonne Toulouse



Garonne Aran





Warranty

5 years in all its components.

The names, trademarks and industrial models of the products have been logged in the corresponding registers. The technical information provided by Escofet about its products can be modified without prior notice.

Escofet 1886 S.A
Head office and production

Montserrat, 162
E 08760 Martorell
Barcelona - España
T. 0034 937 737 150
F. 0034 937 737 151

info@escofet.com
www.escofet.com



GA-2005/0072 SST-0090/2010 ER-0403/2016