


The *Stone* collection is formed by a UHPC-Slimconcrete seat with a minimum thickness and variable length of between 2 and 3 metres. It is combinable with two metal support options that enhance the slenderness of the seat. Designed as a flexible system for universal use, it can be installed in a linear formation or an isolated element in any type of public space.

UHPC |  300 cm/max |  408 kg/max |  12

 Update 13.02.2019



Origin

It was conceived mainly as a backless bench with components assembled on site to create linear aggregations.

Robust

The UHPC-Slimconcrete technology allows for the design of extremely durable, lightweight elements with a minimum structural cross-section that can withstand compression, bending, impact and wear.

Adaptable

The *Alpha* or *Omega* metal supports can be combined with different bench lengths for installation at the ends or embedded with an overhang of 15 cm.

Ecological

The lightness of the material minimises energy consumption and the use of raw materials in its fabrication. Its lightweight components make it easy and inexpensive to transport. Their 100% recyclable material composition optimises their life cycle.

Material

UHPC-Slimconcrete seat slab etched and water-repellent finish or gently polished finish in the *Escofet* standard chart colours. Zinc-plated supports with a textured grey or RAL 3020 red paint finish.

Installation

Stone is supplied optional with “on-site” component assembly instructions. The supports are easy to install and fixed to the bench with stainless steel anchors in sleeves recessed in the bench seat. The unit is anchored to the ground with two threaded M16 rods in each support.



STONE



Escofet®

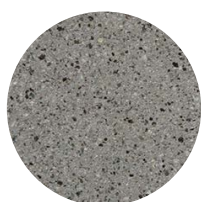
1. Backless bench

Stone	Backless bench 200	Backless bench 250	Backless bench 300
Dimensions	200 x 70 x 47 cm	250 x 70 x 47 cm	300 x 70 x 47 cm
Weight	276 kg / 290 kg Seat 252 kg Support Alpha 12 kg Support Omega 19 kg	332 kg / 346 kg Seat 308 kg Support Alpha 12 kg Support Omega 19 kg	394 kg / 408 kg Seat 370 kg Support Alpha 12 kg Support Omega 19 kg

1.1 General features

Material	UHPC Concrete	Fixing	Anchored with screws
Finish	Etched and waterproofed / Soft polished	Installation	In situ
Supports	Zinc plated steel		
Finish	Painted Silver Grey, Forge Black or Red RAL 3020		

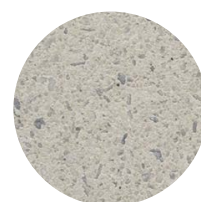
Colours



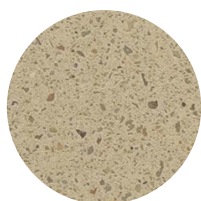
UHPC GR. Grey



UHPC NG. Black



UHPC BL. White



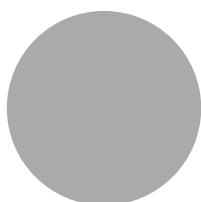
UHPC BG. Beige



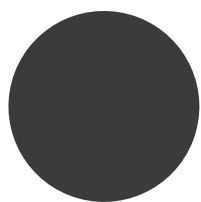
UHPC BL P. White
soft polished



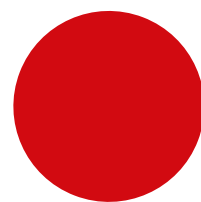
UHPC BG P. Beige
soft polished



A. Silver Grey-coated steel



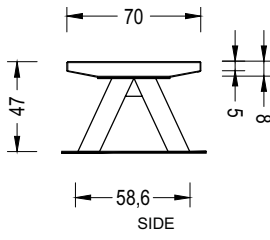
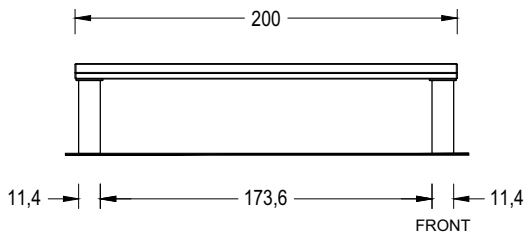
B. Forge Black coated steel



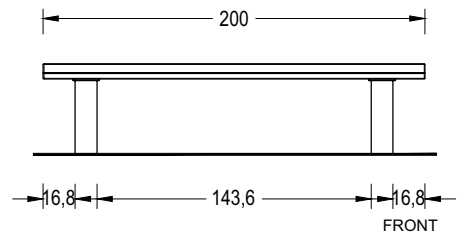
C. Red RAL 3020-
coated steel

1.2 Geometry

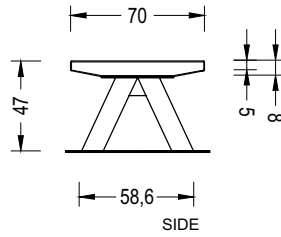
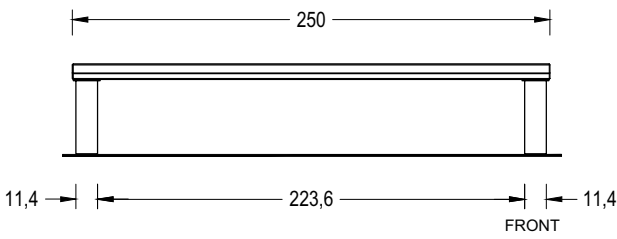
Stone 200 Alpha End



Stone 200 Alpha In



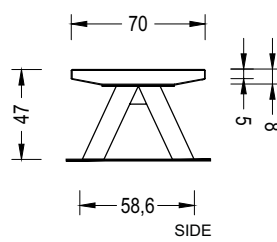
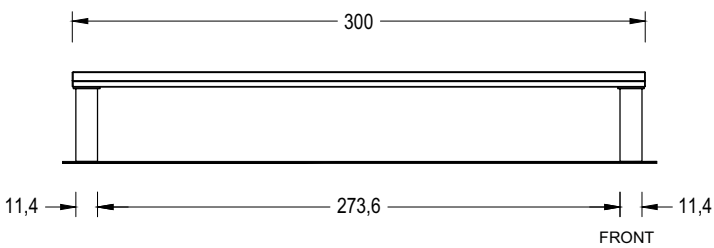
Stone 250 Alpha End



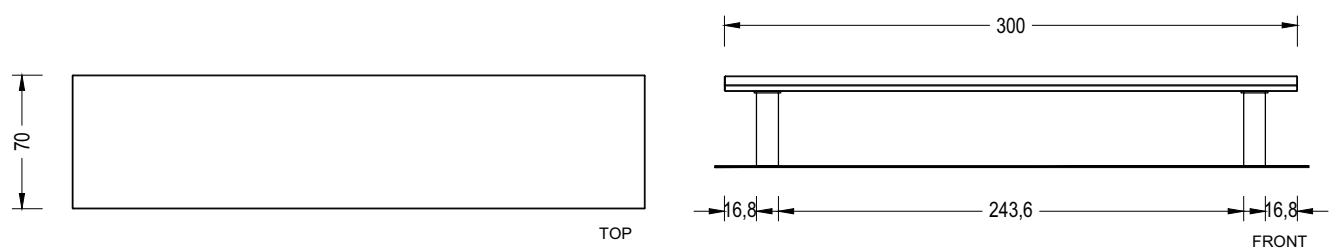
Stone 250 Alpha In



Stone 300 Alpha End

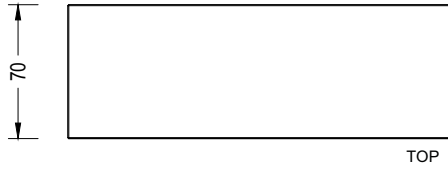
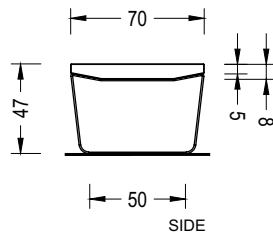
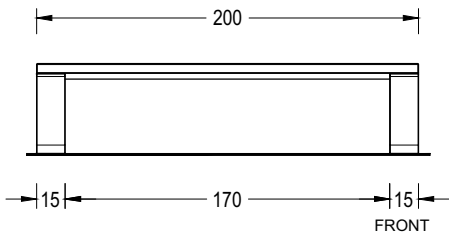


Stone 300 Alpha In

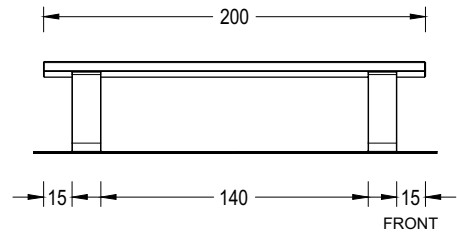


1.2 Geometry

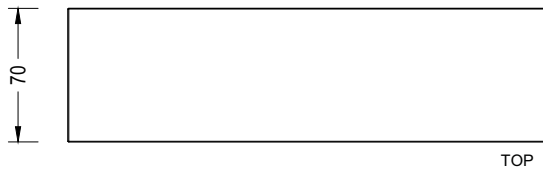
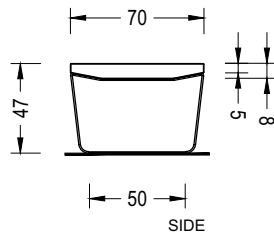
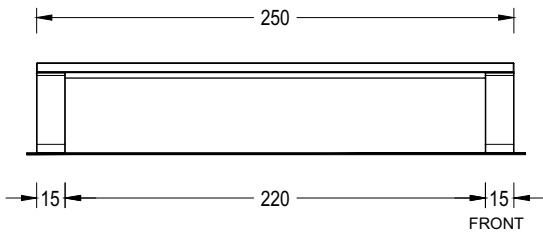
Stone 200 Omega End



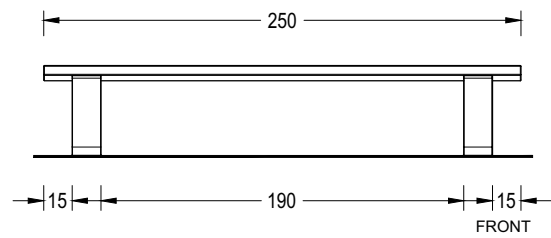
Stone 200 Omega In



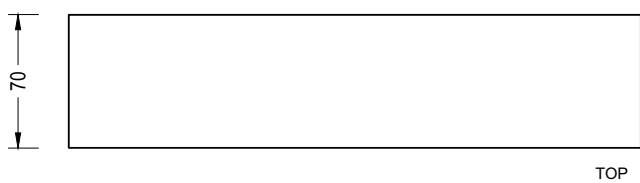
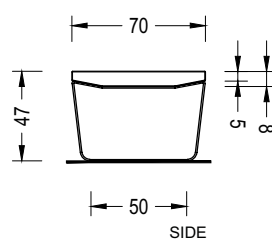
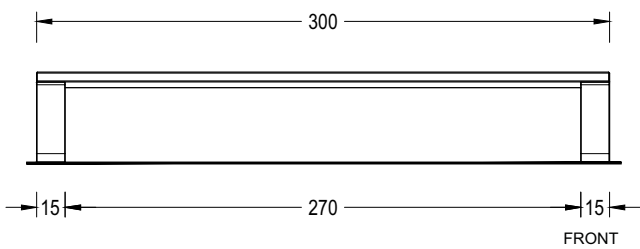
Stone 250 Omega End



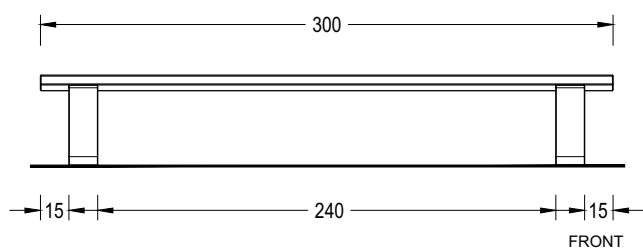
Stone 250 Omega In



Stone 300 Omega End



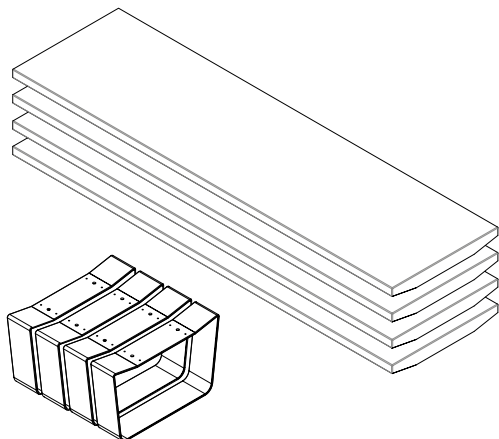
Stone 300 Omega In



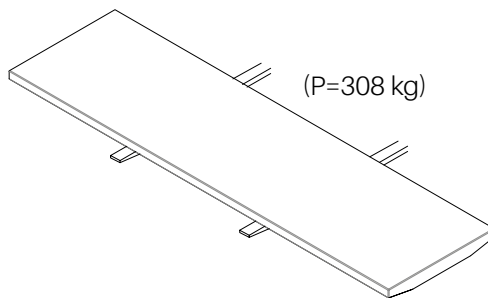
1.3. Installation system

WARNING. Configuration example with the model STONE 250 - OMEGA END

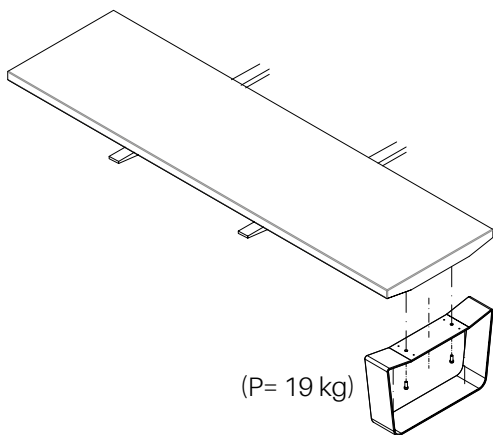
1. Stacked delivery option to optimize the transport process. Download pallets, unfold protections.



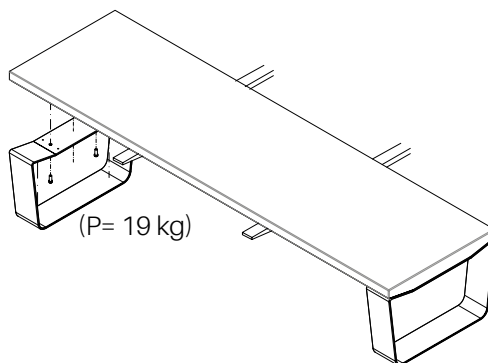
2. Lift the seat with a forklift or polyester slings, protect with wood slats.



3. Place the support in the position of the bushings, screw the screws (DIN 6912 M12 x 16mm).

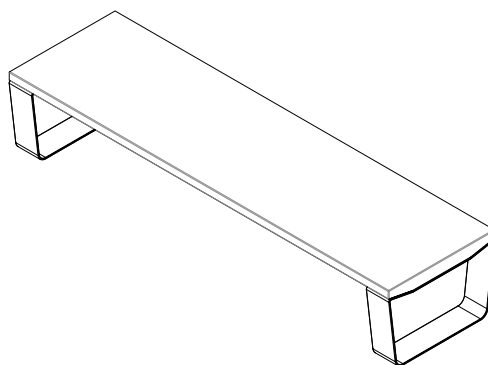
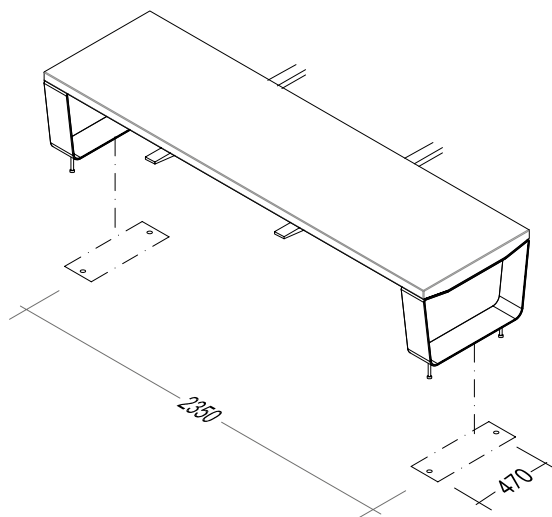


4. Place the second support, repeat the process..



5. Thread the anchor bolts thoroughly (DIN 931 M16 x 140mm). Drill the pavement (Ø40x180) and fill with resin or fat mortar. Respect the distances between axes.

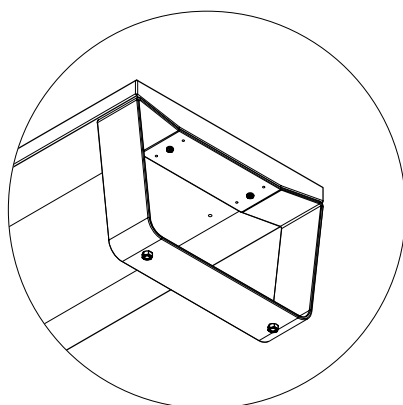
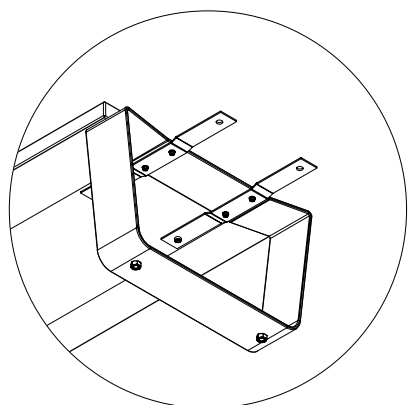
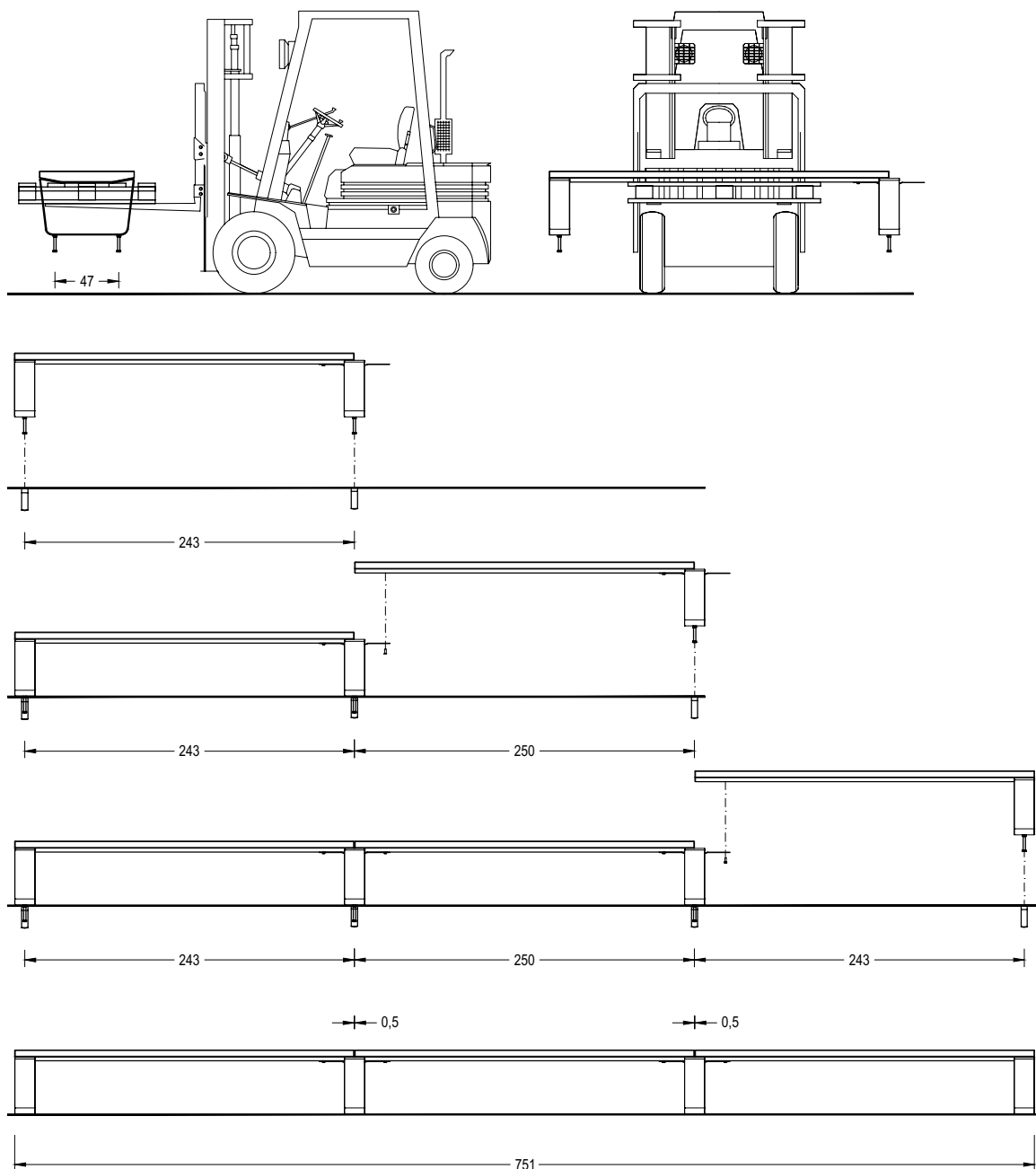
6. Check the correct installation of all components.



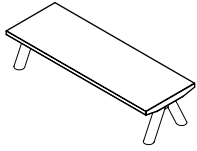
1.3. Installation system

ADVERTENCIA. Configuration example of a 7,5 m backless bench with model STONE 250 - OMEGA

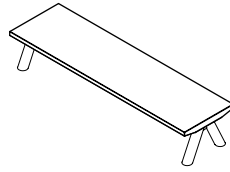
Elevation of the bench, place a base of wooden planks. Position the supports. Add the 2 joining accessories for linear aggregations and thread the screws (DIN 6912 M12 x 16mm) and (DIN 7991 M10 x 16mm). Screw 2 screws thoroughly (DIN 931 M16 x 140mm)



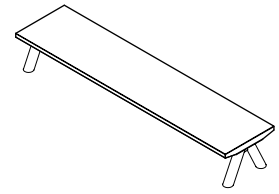
1.4. Aggregations



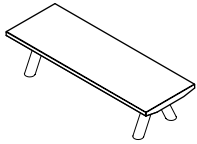
Ref.STONE-200-ALPHA



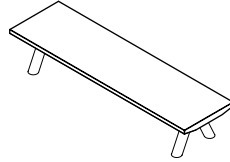
Ref.STONE-250-ALPHA



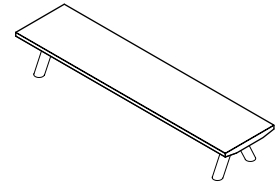
Ref.STONE-300-ALPHA



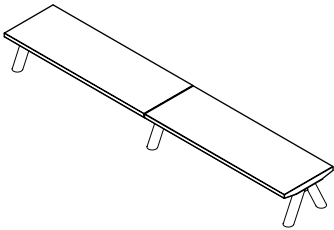
Ref.STONE-200-ALPHA



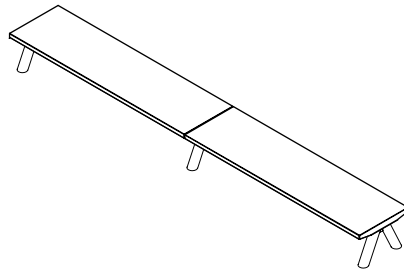
Ref.STONE-250-ALPHA



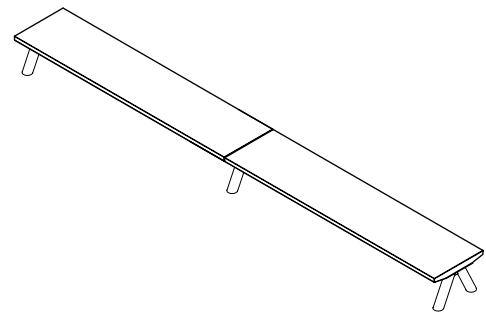
Ref.STONE-300-ALPHA



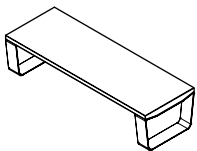
Ref.STONE-200-ALPHA
+Ref.STONE-200-EXT-ALPHA



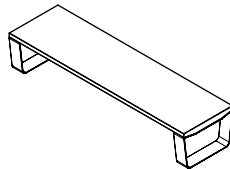
Ref.STONE-250-ALPHA
+Ref.STONE-250-EXT-ALPHA



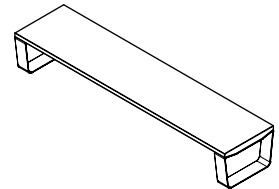
Ref.STONE-300-ALPHA
+Ref.STONE-300-EXT-ALPHA



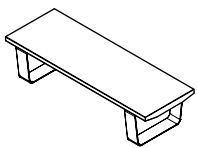
Ref.STONE-200-OMEGA



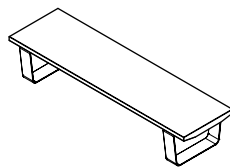
Ref.STONE-250-OMEGA



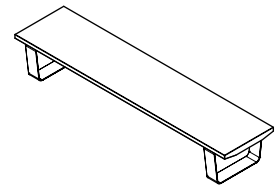
Ref.STONE-300-OMEGA



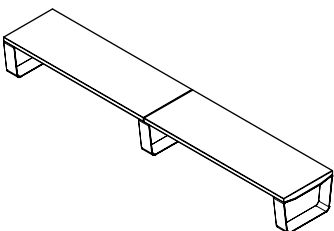
Ref.STONE-200-OMEGA



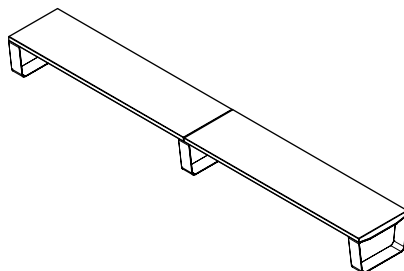
Ref.STONE-250-OMEGA



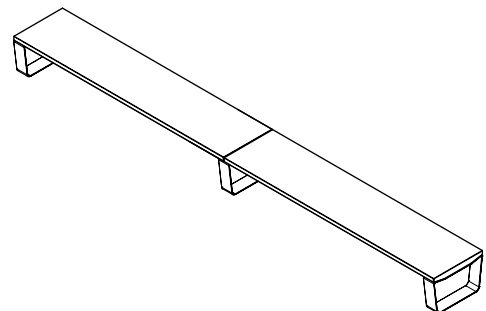
Ref.STONE-300-OMEGA



Ref.STONE-200-OMEGA
+Ref.STONE-200-EXT-OMEGA



Ref.STONE-250-OMEGA
+Ref.STONE-250-EXT-OMEGA



Ref.STONE-300-OMEGA
+Ref.STONE-300-EXT-OMEGA



Warranty

5 years in concrete elements.

The names, trademarks and industrial models of the products have been logged in the corresponding registers. The technical information provided by Escofet about its products can be modified without prior notice.

Escofet 1886 S.A
Head office and production

Montserrat, 162
E 08760 Martorell
Barcelona - España
T. 0034 937 737 150
F. 0034 937 737 151

info@escofet.com
www.escofet.com



GA-2005/0072 SST-0090/2010 ER-0403/2016