


The *Mom* collection consists of a stool and a bench, both paradigms of the technological possibilities of melding the concrete UHPC-Slimconcrete. Cubic geometry, hollow and gently rounded outline, houses inside a LED light system that bathes its walls as a screen that illuminates the road providing security.

UHPC |  240 cm/max |  465 kg/max |  5

Add-ons: LED

 Update 23.06.2020



MOM

Jordi Pla 2019

Escofet®



### Origin

The collection is called *Mom* by analogy to the form of the receiving matrix of the mother.

### Robust

The UHPC-Slimconcrete technology allows for the design of extremely durable, lightweight elements with a minimum structural cross-section, due to their high resistance to compression, bending, impact and wear. The extremely low water absorption properties of this material improve its behaviour in the face of fragmentation due to freeze cycles in places with harsh climates.

### Ecological

The lightweight nature of the UHPC-Slimconcrete products makes them easy to transport and reduces energy consumption in their fabrication. Their 100% recyclable material composition optimises their life cycle.

### Material

Both models are made from a single piece of UHPC-Slimconcrete concrete stain steel reinforced. They have a superior regatta for the optional accommodation of a strip of LED light, as well as accommodation for the driver with registration from the inside in one of the front ends.

### Installation

It is easy to lift and handle with slings and both bench and stool in outdoor are anchored to the paving. As self-standing product, *Mom* is installed simply resting on the paving but it is advisable to anchor the benches to the paving. No specific foundations are needed when installed on sand or lawn, nor anchoring when they are installed in private or interior spaces.







# 1. Backless bench and stool

<b>Mom</b>	<b>240</b>	<b>60</b>
<b>Dimensions</b>	240 x 50 x 48 cm	60 x 50 x 48 cm
<b>Weight</b>	465 kg	141 kg
<b>Lighting (optional)</b>	LED 8 W; 6000° K (cold) or 3000°K (warm)	<b>Driver</b> 24V / IP67

## 1.1 General features

<b>Material</b>	UHPC concrete	<b>Fixing</b>	Anchored with screws
<b>Finish</b>	Etched and waterproofed / Soft polished (*)		

### Colours



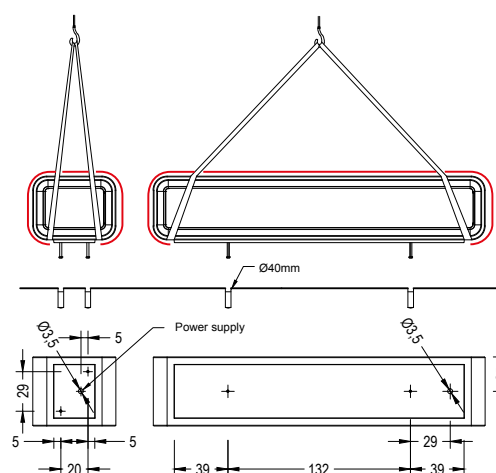
## 1.2 Installation system

### Hoisting

(W=465 kg / 141 kg)

### Installation

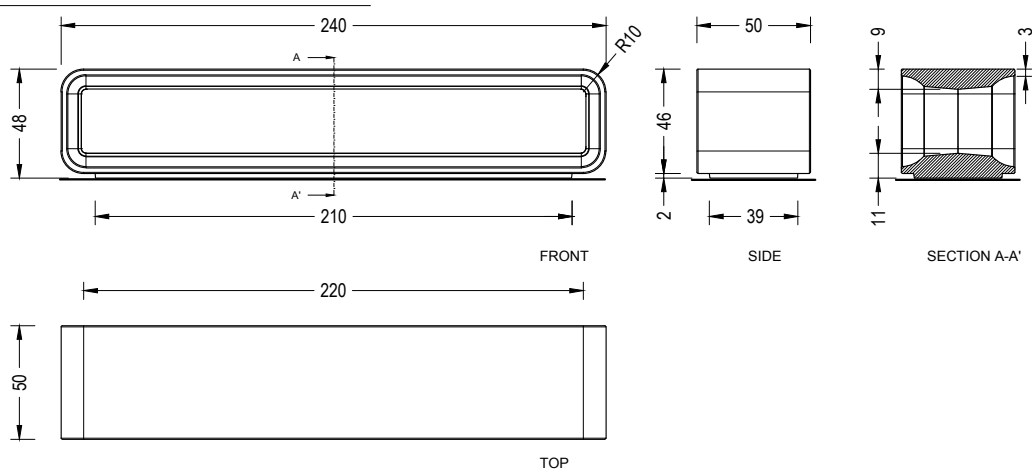
Tightly screw the 4 bolts M-16x140, then, drill pavement (Ø40x180) and fill with resin and finally, center and place.



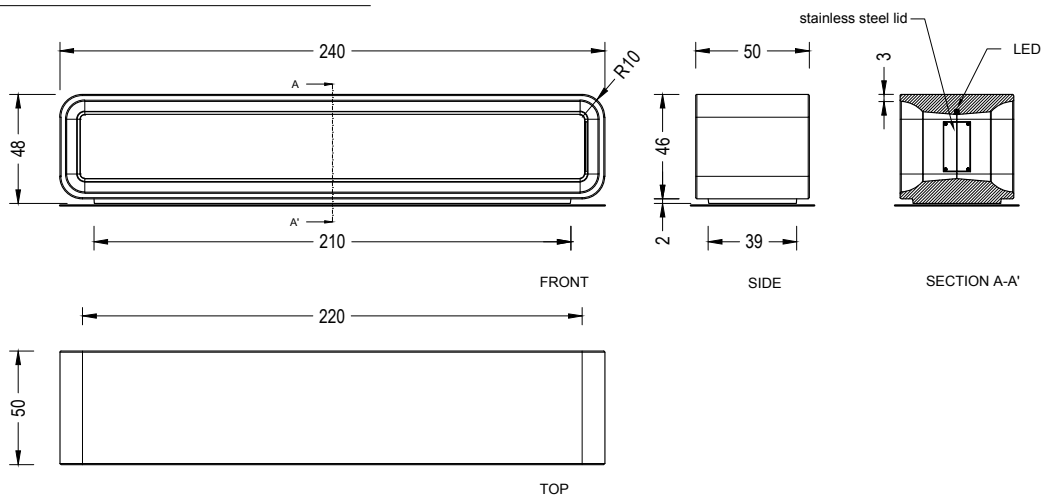
(\*) The soft polished finish is only applied on the upper surface (see red line).

## 1.3 Geometry

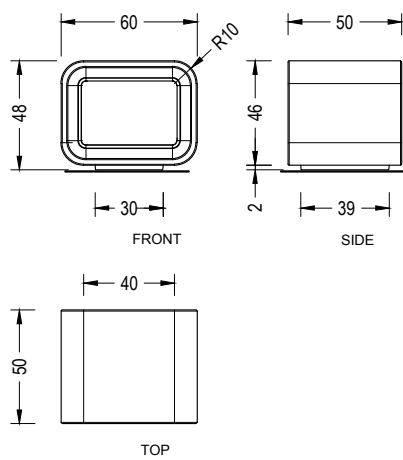
### Mom 240



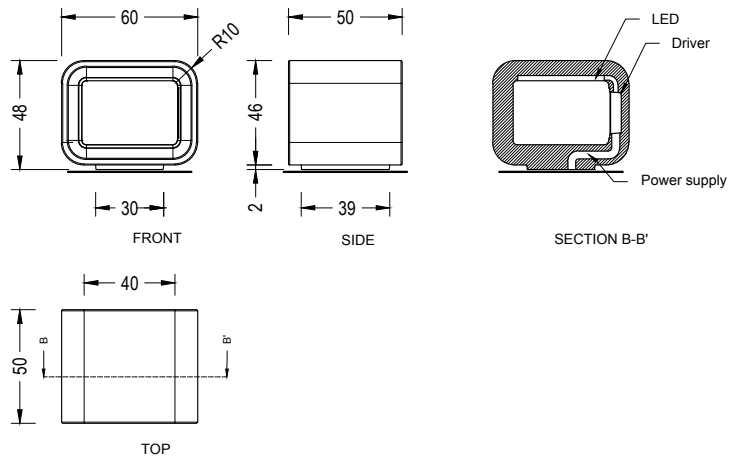
### Mom 240 LED



### Mom 60



### Mom 60 LED



LED	
Operating voltage	24V
Power	8W/m
Color temperature	3000K 6000K
Degree of protection	IP67

Driver Vossloh or similar	
Power	30W
Voltage	220-240V
Frequency	50-60Hz
Power factor	>0,9
Degree of protection	IP67



## Warranty

5 years in concrete elements.

The names, trademarks and industrial models of the products have been logged in the corresponding registers. The technical information provided by Escofet about its products can be modified without prior notice.

Escofet 1886 S.A  
Head office and production

Montserrat, 162  
E 08760 Martorell  
Barcelona - España  
T. 0034 937 737 150  
F. 0034 937 737 151

info@escofet.com  
www.escofet.com



GA-2005/0072 SST-0090/2010 ER-0403/2016