

Cónica is an assembly of two flower boxes in the form of the traditional plant pot that we all retain in our mind's eye. Made from dry mix concrete and with a capacity of 450 and 650 litres, they embody that traditional essence and transfer it to the urban setting.

Concrete | Ø 114 cm | ⚖ 690 kg | 🪴 650 L | 💧

🔄 Update 01.09.2020



CÓNICA

Escofet_Jab 2012

Escofet®

Origin

The flower pot is an object that stays in our minds, a snapshot in our memory. Reports of the first flower pots date back to Ancient Egypt, when the Pharaohs used clay pots in which they planted new species which they used to honour their gods and demonstrate their power.

Combinable

The grouping of the *Cónica* flower boxes in which both sizes are combined generates an urban landscape with a visual proportionality.

Material

Monomaterial body of concrete reinforced with stainless steel.

Etched, water-repellent finish. Supplied in all the Escofet standard chart colours. With an internal breathable, flexible, waterproof lining.

Installation

Self-standing, and only requires anchoring to trees of an average height. In this case, installation is concealed by means of three threaded bolts with a rustproof protective finish in holes previously drilled in the paving and filled with epoxy resin or rich mortar.



CÓNICA



Escofet®

1. Planter

Cónica	Cónica 1000	Cónica 1200
Dimensions	Ø 108 x 99 cm	Ø 114 x 123 cm
Weight	550 kg	690 kg
Capacity	450 L	650 L

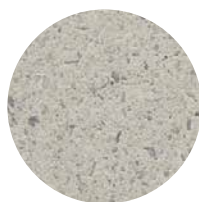
1.1 General features

Material	Reinforced concrete	Fixing	Free-standing
Finish	Etched and waterproofed		
Waterproofing	Inner breathable and flexible coating		

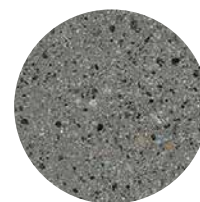
Colours



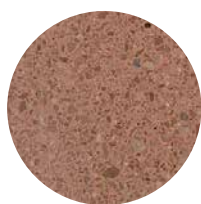
GR. Grey



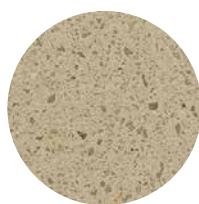
BL. White



CA. CA Grey



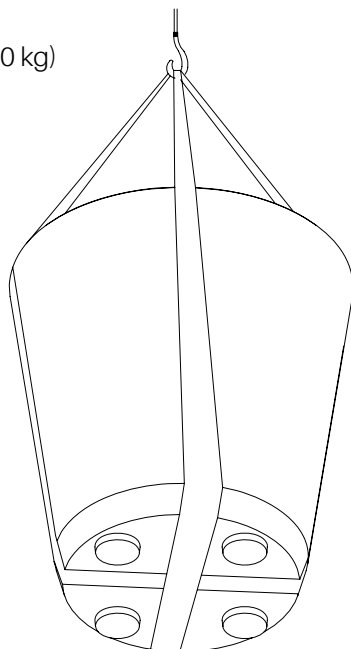
RA. Red



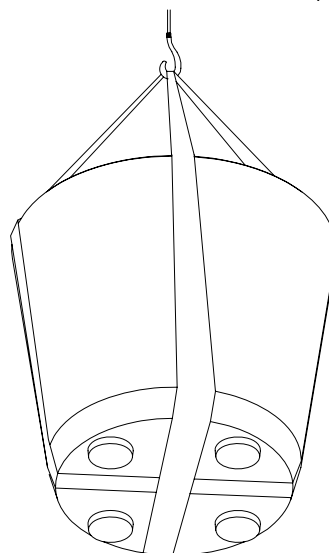
BG. Beige

1.2 Installation system

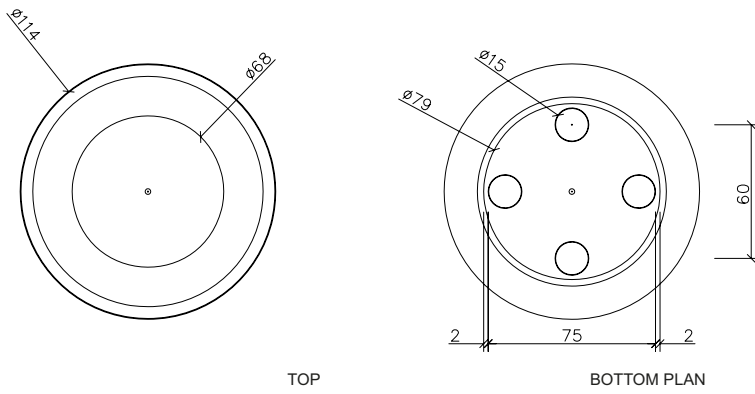
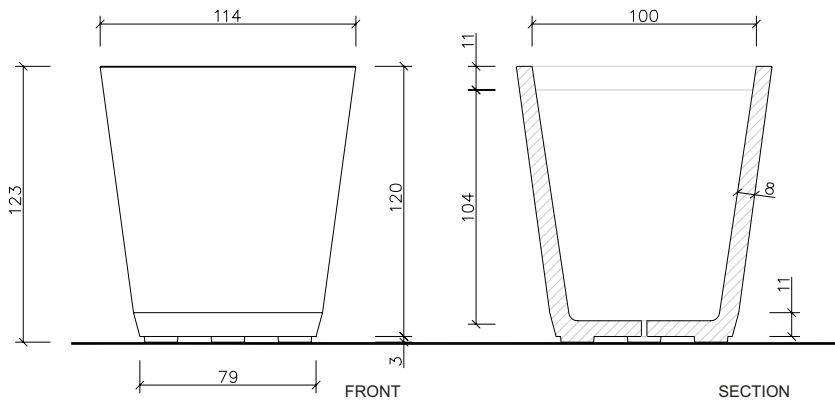
Hoisting
(P= 550 kg / 690 kg)



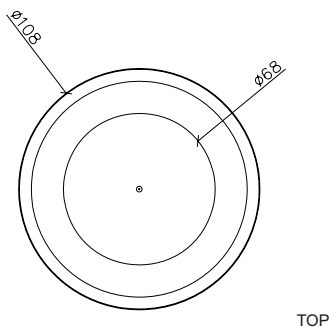
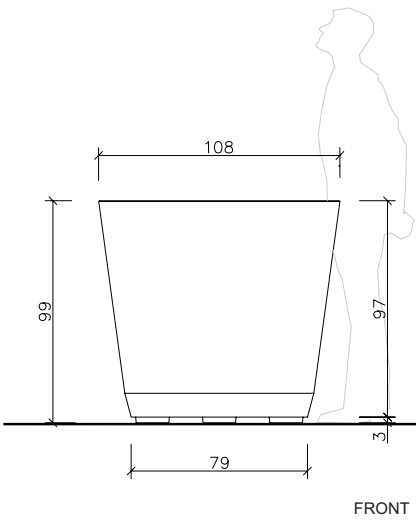
4 polyester slings



Cónica 1200



Cónica 1000





Warranty

5 years in all its components.

The names, trademarks and industrial models of the products have been logged in the corresponding registers. The technical information provided by Escofet about its products can be modified without prior notice.

Escofet 1886 S.A
Head office and production

Montserrat, 162
E 08760 Martorell
Barcelona - España
T. 0034 937 737 150
F. 0034 937 737 151

info@escofet.com
www.escofet.com



GA-2005/0072 SST-0090/2010 ER-0403/2016