

Esfera is a collection of large plant pots designed to contain trees or large shrubs in public areas. Their spherical shape permits the creation of dynamic, fluid, organic configurations that are reminiscent of the seed or fruit clusters so often found in nature. The possibilities of creating chain-like formations add great versatility in terms of arrangement, with a wide range of shapes and sizes.

Concrete | Ø 200 cm/max. | ⚖ 2214 kg | 🪴 2455 L | 🌱

🔄 Update 04.08.2020



Origin

The planter collection *Esfera* is the overwhelming response of *emiliana design studio* to an Escofet's petition. They were manufactured for the first time for the urbanization of The Style Outlets outer space in Viladecans.

Modular

The models, with diameters of 1.60 m and 2 m, are characterised by the faceted sides, which allow the pots to be placed next to each other, generating aligned arrangements, blocks or plant borders, depending on the project requirements.

Versatility

Thanks to the faceted sides of the pots, they can also be installed on walls or at corners.

Material

Moulded concrete, reinforced with stainless steel, with a etched finish and in the Escofet catalogue standard chart colour. Inner waterproofing coating breathable and flexible.

Installation

Self-stabilising, no anchors are required to install them. Drainage is through the open base of the spheres and the free joint in the support area.



ESFERA



Escofet®

1. Planter

Esfera		Big - 2455 L	Small - 1240 L
Dimensions		ø200 x 145 cm	ø160 x 133 cm
Weight	open bottom close bottom	2214 kg 2476 kg	1620 kg 1692 kg
Capacity		2455 L	1240 L

1.1 General features

Material	Reinforced concrete	Fixing	Free-standing
Finish	Etched and waterproofed		
Waterproofing	Inner breathable and flexible coating		

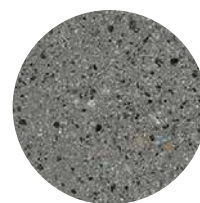
Colours



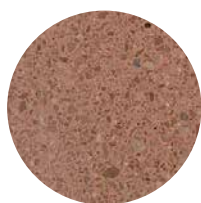
GR. Grey



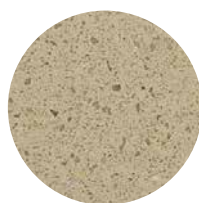
BL. White



CA. CA Grey



RA. Red

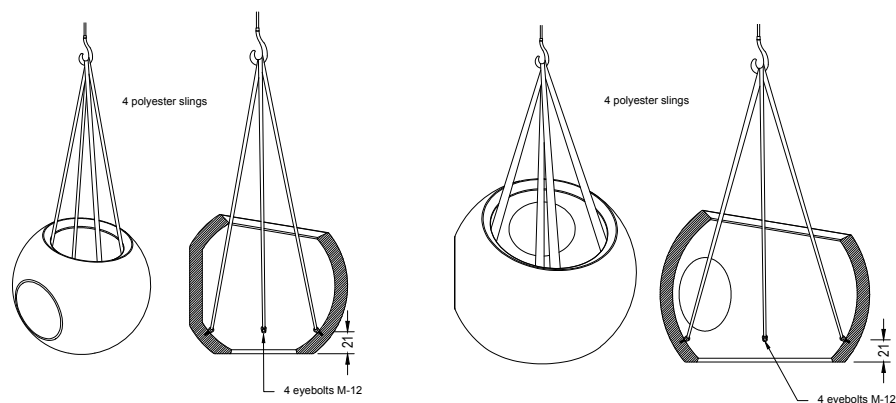


BG. Beige

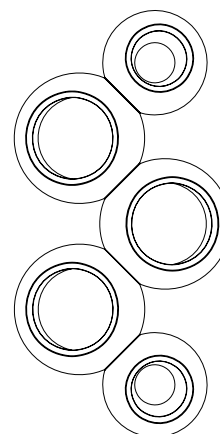
1.2 Installation system

Hoisting

(W= 1620 kg / 1692 kg / 2212 kg / 2476 kg)



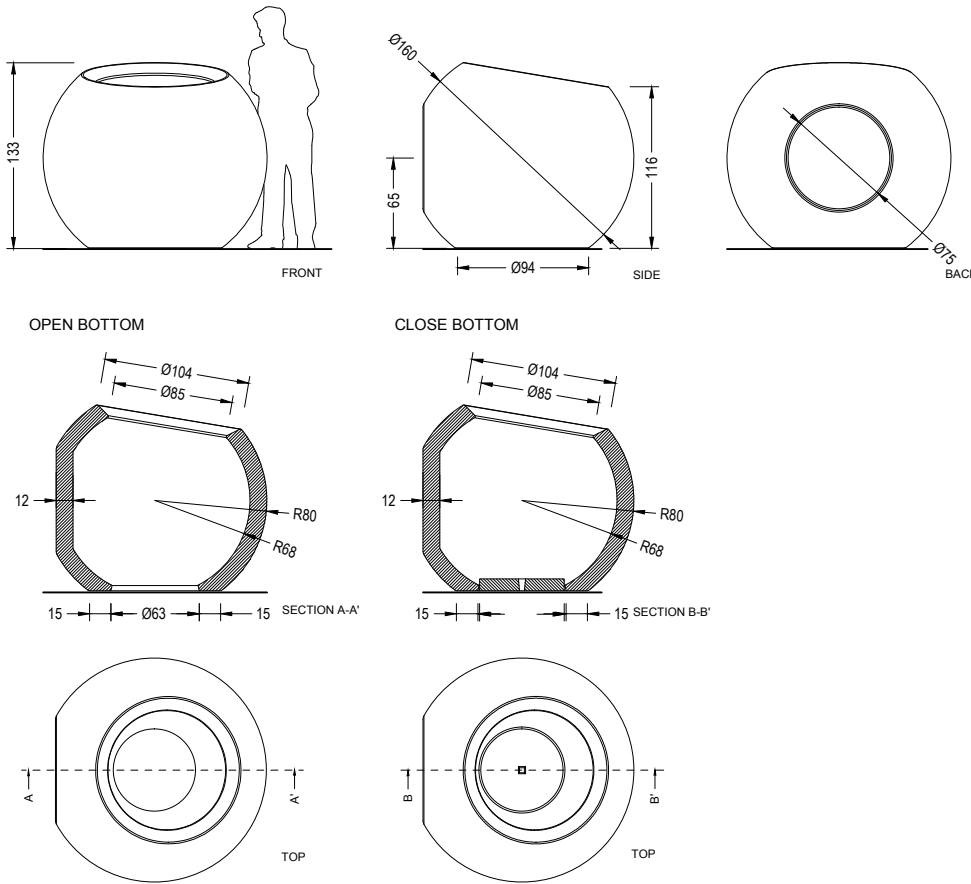
Aggregations Exemple



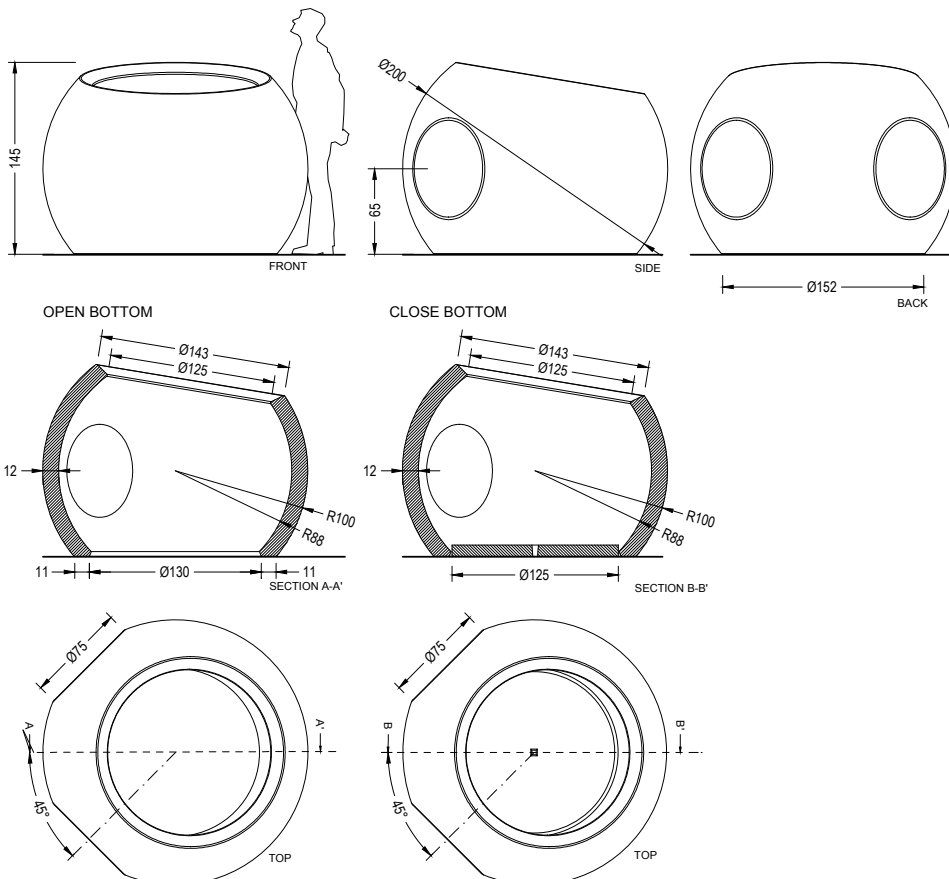
1.3 Geometry

ESFERA

Small Esfera



Big Esfera



Escofet®



Warranty

5 years in concrete elements.

The names, trademarks and industrial models of the products have been logged in the corresponding registers. The technical information provided by Escofet about its products can be modified without prior notice.

Escofet 1886 S.A
Head office and production

Montserrat, 162
E 08760 Martorell
Barcelona - España
T. 0034 937 737 150
F. 0034 937 737 151

info@escofet.com
www.escofet.com



GA-2005/0072 SST-0090/2010 ER-0403/2016