

The *Mirador* plant pot has an oval-shaped design and is formed by four adjacent single-piece moulded concrete parts, with a built-in bench around the perimeter, in a revised version of a classic from the *Escofet* catalogue.

Concrete | 4 pcs | Ø 300 cm | 992 kg/pc | 865 L | 12

Update 19.05.2020



MIRADOR

Balmori Associates 2015

Escofet®

Origin

The *Mirador* bench was designed for the first 12 plant pot-bench units located on floor 37 of Torre de Sevilla, the new icon of the city's skyline, on the island of la Cartuja.

Material

Moulded concrete with an etched finish and in the *Escofet* catalogue standard chart colours.

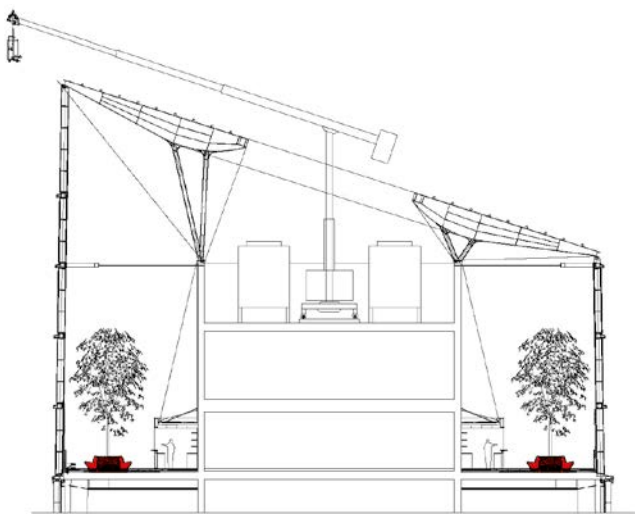
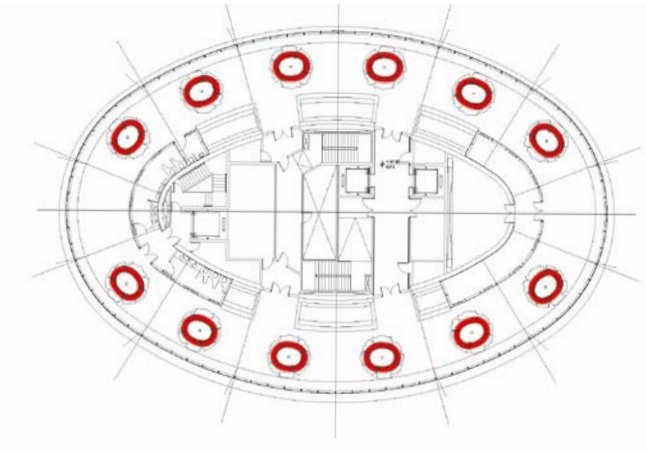
Installation

The configuration simply rests on the paving, and no anchors are required to install it. It is advisable to seal the interior of the joints, to prevent water filtrations.

MIRADOR



Escofet®



1. Planter

Mirador	Mirador A/B
----------------	--------------------

Dimensions	73 x 123 x 149 cm
-------------------	-------------------

Weight	992 kg/ud.
---------------	------------

1.1 General features

Material	Hormigón armado	Fixing	Free-standing
-----------------	-----------------	---------------	---------------

Finish	Etched and waterproofed
---------------	-------------------------

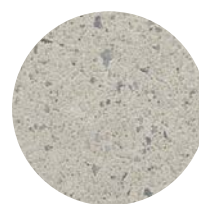
Colour



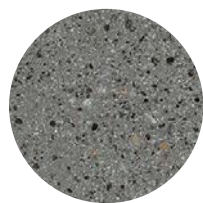
GR. Grey



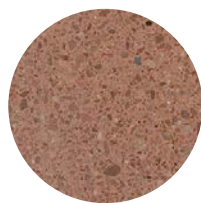
NG. Black



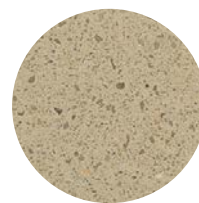
BL. White



CA. CA Grey



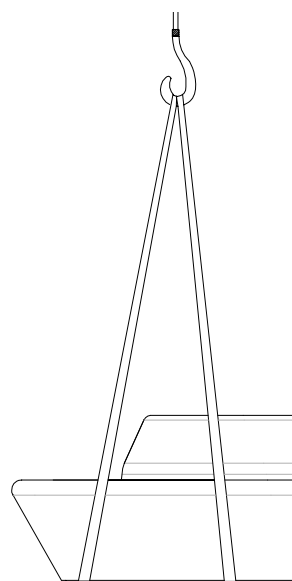
RA. Red



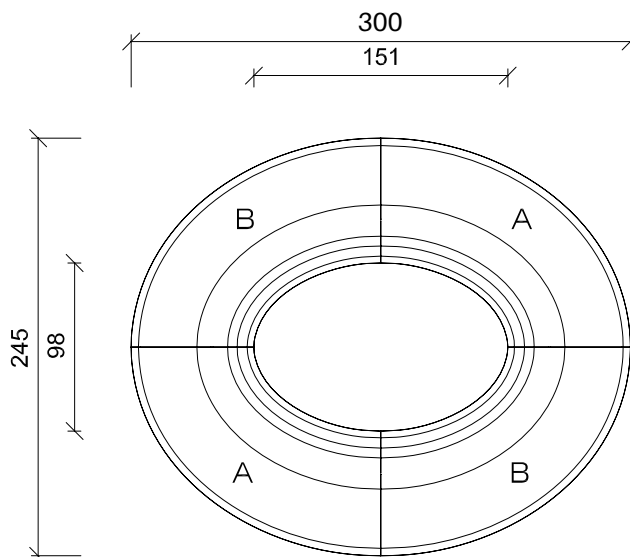
BG. Beige

1.2 Placement system

Hoisting (P= 992Kg)

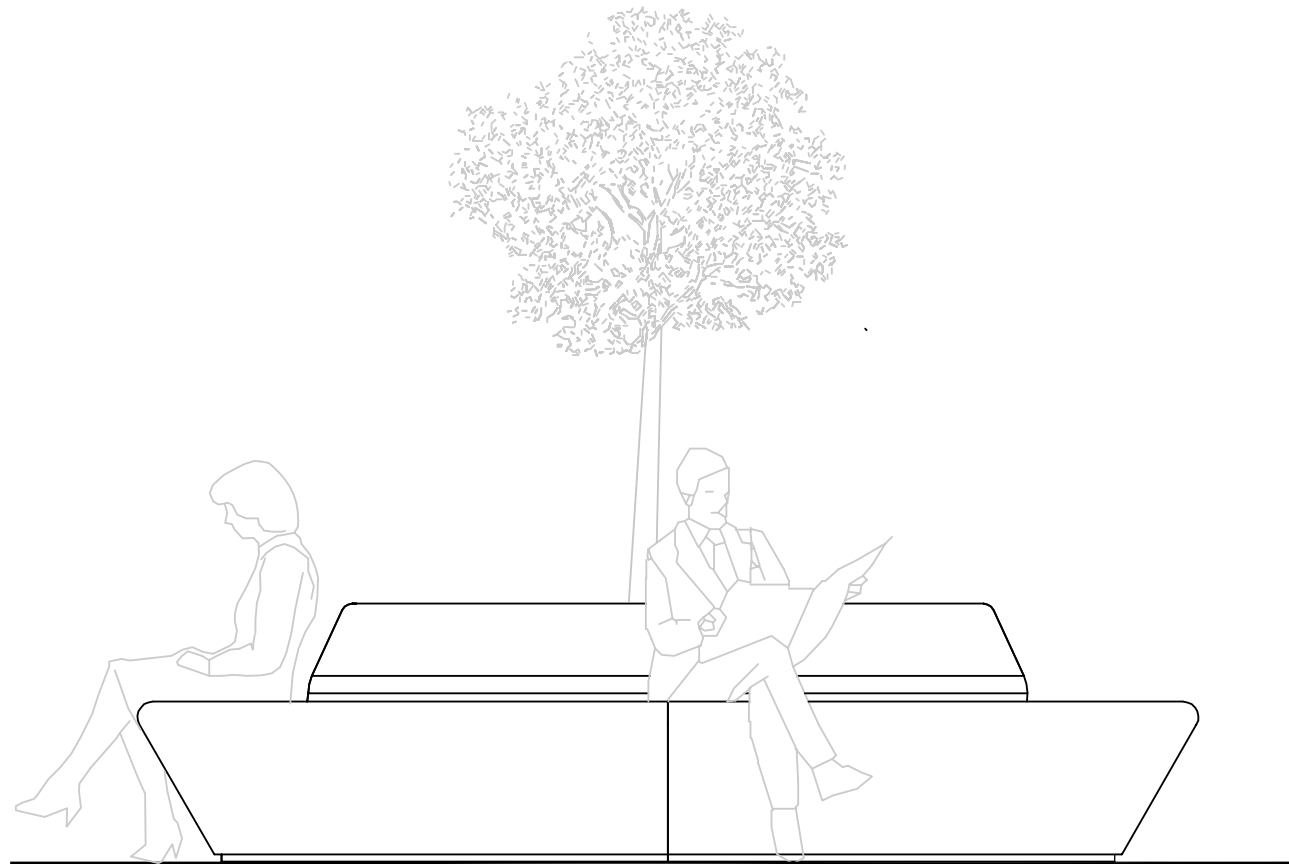
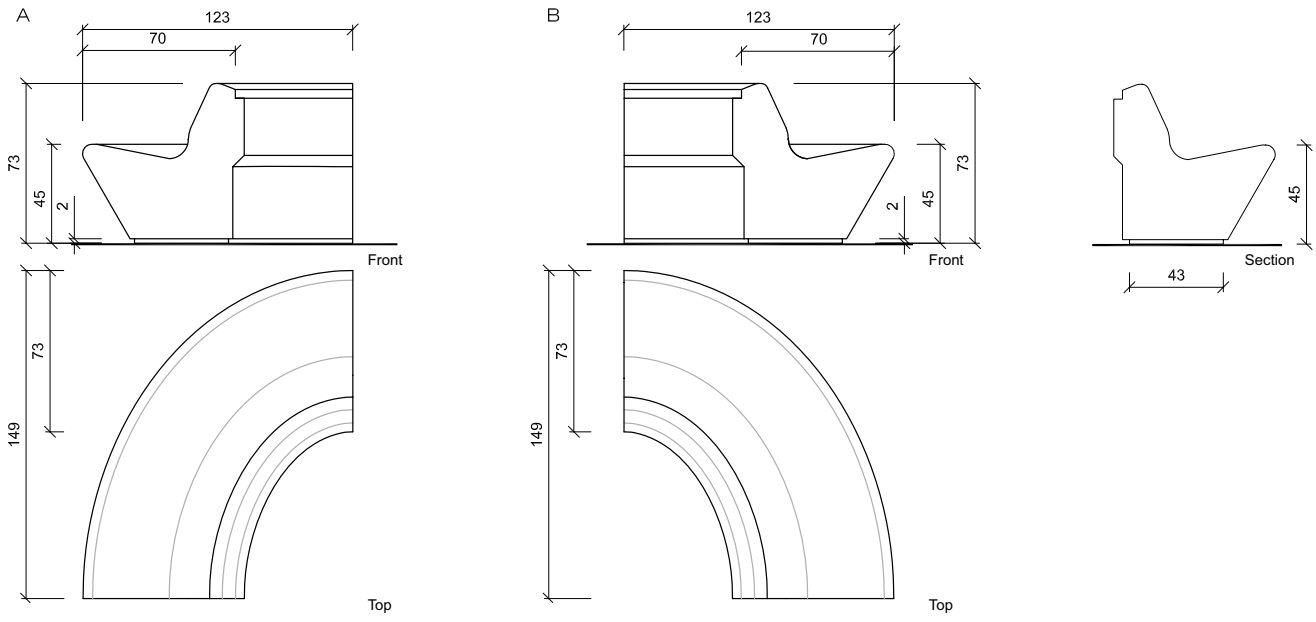


(P= 992 kg)
polyester slings



1.3 Geometry

Mirador



MIRADOR

Escofet®



Warranty

5 years in all its components.

The names, trademarks and industrial models of the products have been logged in the corresponding registers. The technical information provided by Escofet about its products can be modified without prior notice.

Escofet 1886 S.A
Head office and production

Montserrat, 162
E 08760 Martorell
Barcelona - España
T. 0034 937 737 150
F. 0034 937 737 151

info@escofet.com
www.escofet.com



GA-2005/0072 SST-0090/2010 ER-0403/2016