


Pedra Negra seeks to blend into the landscape, comprehending it and reinterpreting it in order to convert the element into a feature of the terrain, like a rocky promontory carved in response to the needs of the environment. The litter bin becomes a hermetic marker on the landscape, built in the form of a parallelepiped resting on the paving or buried and slanted and affected by the natural movement of the sand.

Concrete |  86 cm |  1430 kg |  105 L

 Update 01.10.2018



PEDRA NEGRA

Antonio Montes + Enric Pericas 2002

Escofet®

Origin

Pedra Negra is a litter bin resulting from a design that seeks to define an element adapted to its natural surroundings, such as the black sandy beaches of the Canary Islands, and thereby take on the status of an atemporal element of the landscape.

Design

There are two models. In the first, the element simply rests on the ground and in the second, an extension in volume of 30 cm is added, to allow it to be buried in the sand. It has a black painted stainless steel door which gives access to the interior in which there is a waste bin with a capacity of 100 litres.

Material

Made of concrete in the shape of a polyhedron with an acid-etched stone finish. The door giving access to the interior is made from stainless steel and has a hinge and a triangular-shaped lock. Inside it is a yellow high mass density polyethylene bin measuring 600 x 400 x 350 mm.

Installation

The self-standing model requires no anchoring or foundation elements due to its natural stability. The buried model only requires the excavation of a hole of about 30 cm which is then simply packed with sand.





1. Litter bins

Pedra negra	Free-standing	Embedded
Dimensions	86 x 82 x 105 cm	86 x 82 x 134 cm
Weight	910 kg	1430 kg
Capacity	105 L	105 L

1.1 General features

Material	Reinforced concrete	Fixing	Embedded in the sand Free-standing
Finish	Etched and waterproofed		
Door	Sainless steel	Finish	Black matt powder coated finish

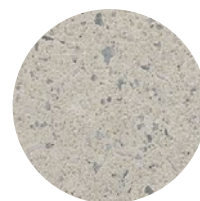
Colours



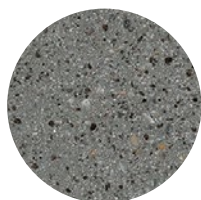
GR. Grey



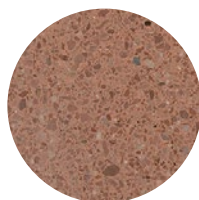
NG. Black



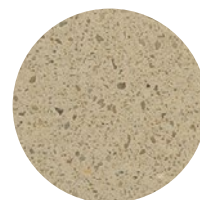
BL. White



CA. CA Grey



RA. Red



BG. Beige



A. Black matt steel

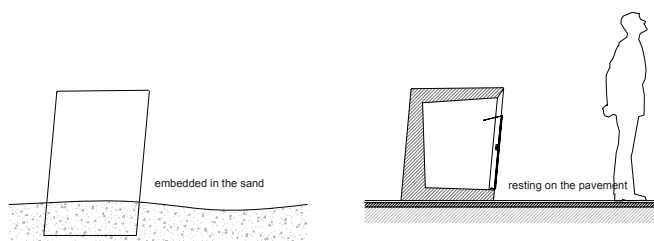
1.2 Installation system

Hoisting

(W= 910 /1430 kg)

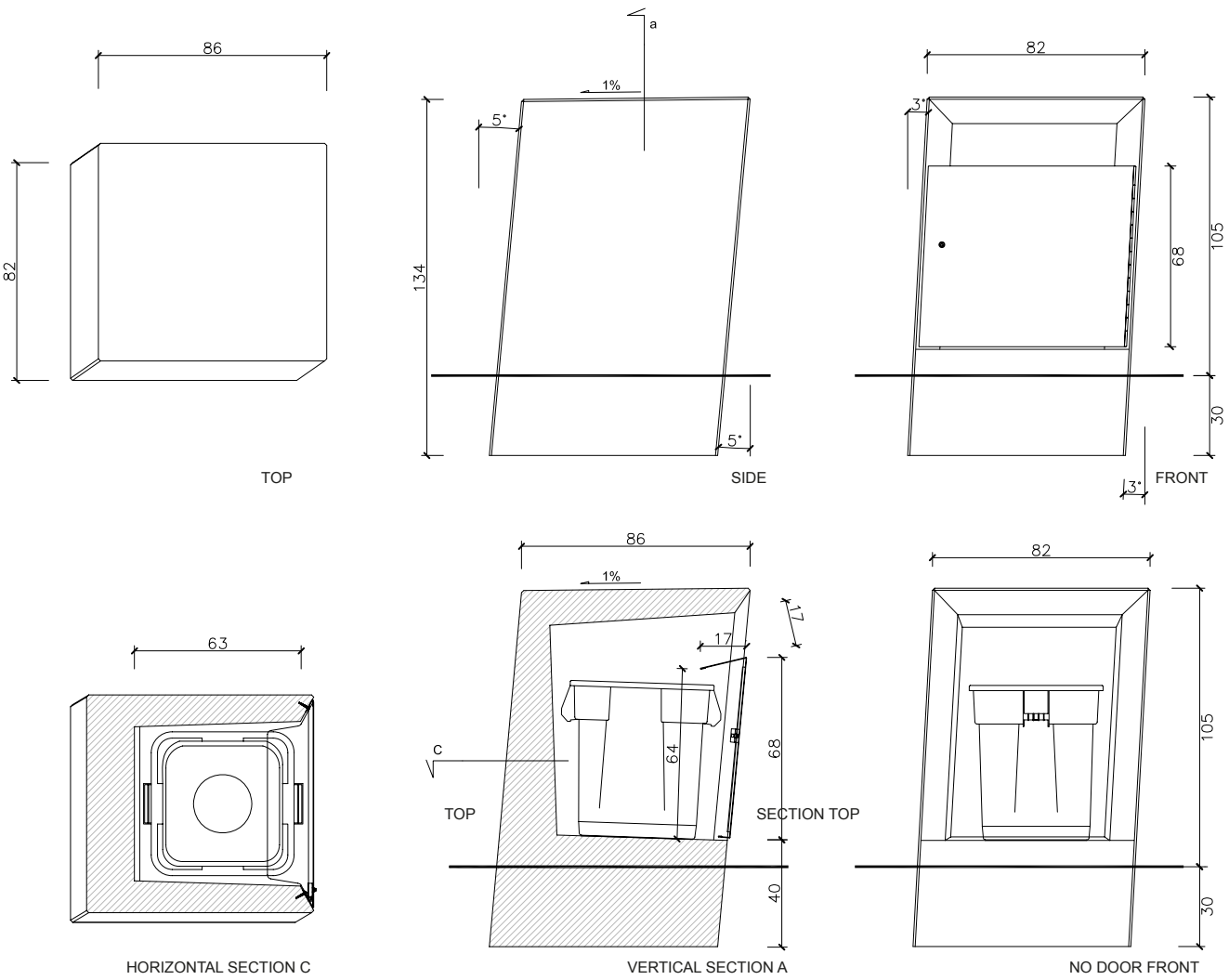
Installation

Excavate 30 cm and then confine it with sand, or simply resting on the pavement.

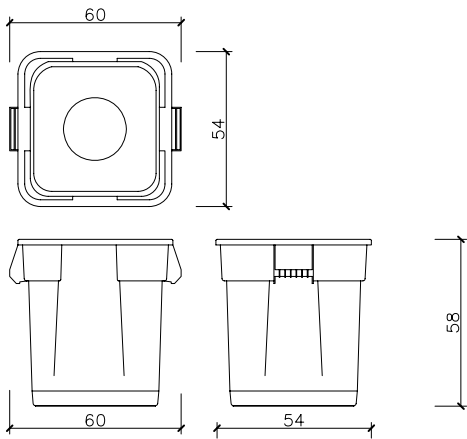


1.3 Geometry

Pedra negra



Waste container





Warranty

5 years in concrete elements.

The names, trademarks and industrial models of the products have been logged in the corresponding registers. The technical information provided by Escofet about its products can be modified without prior notice.

Escofet 1886 S.A
Head office and production

Montserrat, 162
E 08760 Martorell
Barcelona - España
T. 0034 937 737 150
F. 0034 937 737 151

info@escofet.com
www.escofet.com

Follow us



GA-2005/0072 SST-0090/2010 ER-0403/2016