

**CARACTERÍSTICAS / CHARACTERISTICS**

**MATERIAL** columna troncocónica (conicidad 12,5%) de:

- ACABADO** a. acero cor-ten (e=5mm)  
 b. acero galvanizado (e=4mm)  
 c. acero pintado (RAL o cor-ten)

**COLOC.** anclado mediante placa base y cuatro pernos

**PESO** F-12: 254kg / F-10: 202kg / F-9: 202kg / F-7/10: 149kg /  
 F-7/9: 202kg / F-5: 112kg / F-4: 65 kg

**MATERIAL** tapered column (taper 12.5%) made of:

- FINISH** a. cor-ten steel (e=5mm)  
 b. galvanized steel (e=4mm)  
 c. coated steel (RAL or cor-ten)

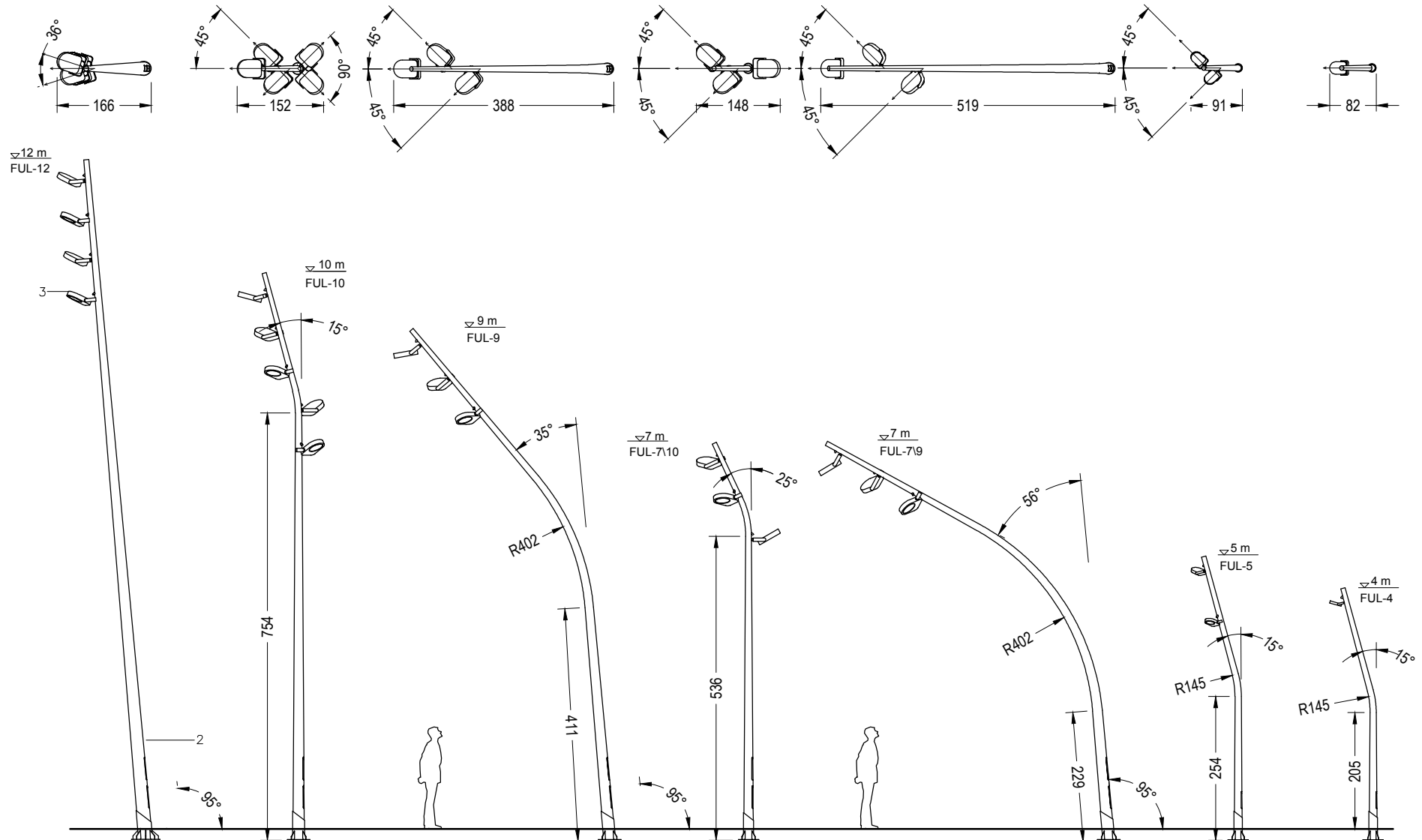
**FIXING** anchored with a base plate and four threaded bolts

**WEIGHT** F-12: 254kg / F-10: 202kg / F-9: 202kg / F-7/10: 149kg /  
 F-7/9: 202kg / F-5: 112kg / F-4: 65 kg

Update 19/11/2020  
 Cotas / Sizes cm

**GEOMETRÍA / GEOMETRY**

E:1/100



# CARACTERÍSTICAS / CHARACTERISTICS

**MATERIAL** columna troncocónica (conicidad 12,5%) de:

- ACABADO**
- a. acero cor-ten (e=5mm)
  - b. acero galvanizado (e=4mm)
  - c. acero pintado (RAL o cor-ten)

**COLOC.** anclado mediante placa base y cuatro pernos

**PESO** F-12: 254kg / F-10: 202kg / F-9: 202kg / F-7/10: 149kg / F-7/9: 202kg / F-5: 112kg / F-4: 65 kg

**MATERIAL** tapered column (taper 12.5%) made of:

- FINISH**
- a. cor-ten steel (e=5mm)
  - b. galvanized steel (e=4mm)
  - c. coated steel (RAL or cor-ten)

**FIXING** anchored with a base plate and four threaded bolts

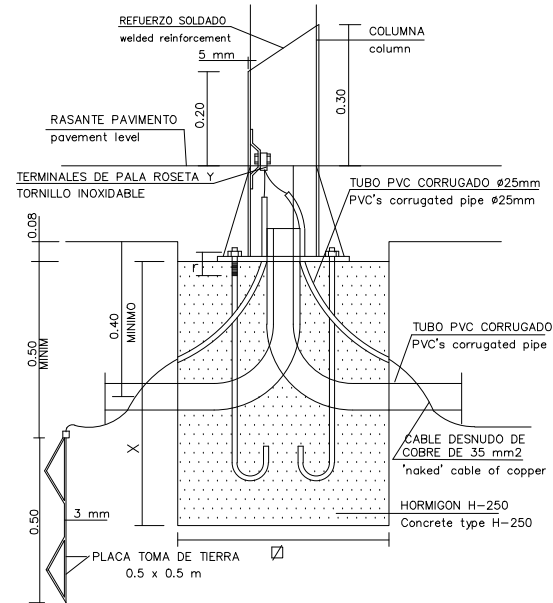
**WEIGHT** F-12: 254kg / F-10: 202kg / F-9: 202kg / F-7/10: 149kg / F-7/9: 202kg / F-5: 112kg / F-4: 65 kg

Update 19/11/2020  
Cotas / Sizes cm

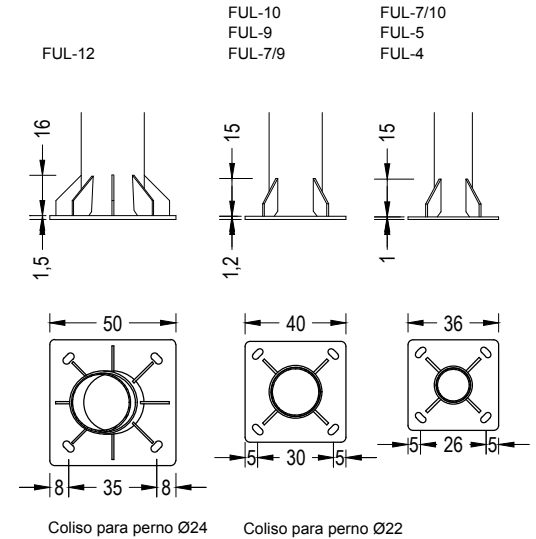
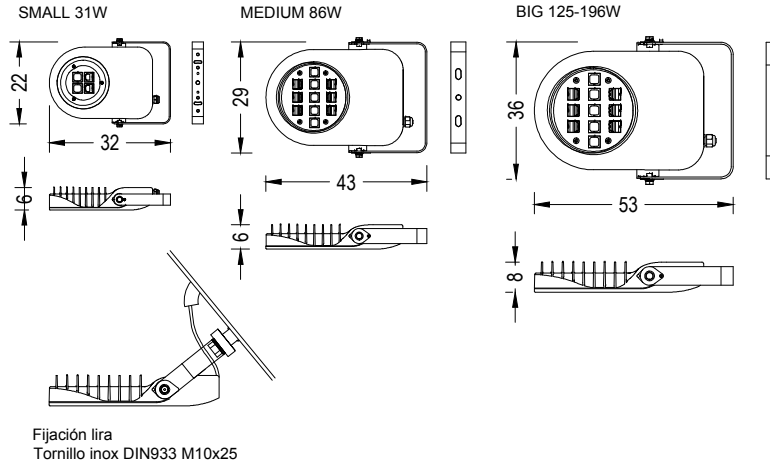
## GEOMETRÍA / GEOMETRY

E:1/80

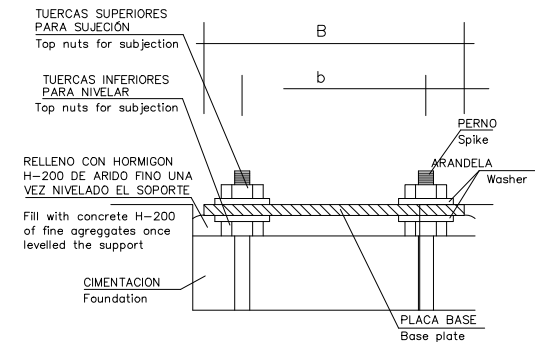
### DETALLE CIMENTACIÓN COLUMNA TIPO Y TOMA DE TIERRA / DETAIL OF COLUMN FOUNDATION AND ELECTRICAL CONNECTION



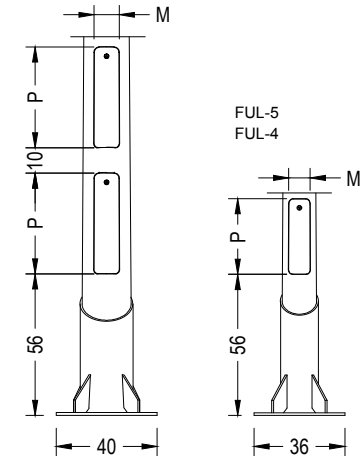
### PROYECTORES / FLOODLIGHTS



### CIMENTACIÓN Y PERNOS / FOUNDATION AND SPIKES



	FUL-12	FUL-10	FUL-9	FUL-7/10	FUL-7/9	FUL-5	FUL-4
COLUMNAS columns	H=12 m	H=10 m	H=9 m	H=7 m	H=7 m	H=5 m	H=4 m
∅ SUP	88 mm	77 mm	77 mm	77 mm	77 mm	77 mm	77 mm
∅ INF	240 mm	200 mm	200 mm	165 mm	200 mm	142 mm	142 mm
PUERTAS REGISTRO inspection hatch	2	2	2	2	2	1	1
P	400 mm	400 mm	400 mm	400 mm	400 mm	300 mm	300 mm
	M	100 mm	100 mm	100 mm	100 mm	85 mm	85 mm
CIMENTACIÓN foundation							
(dim.aprox.)	X 120 cm	100 cm	80 cm	80 cm	80 cm	80 cm	80 cm
∅	90 cm	80 cm	80 cm	80 cm	80 cm	80 cm	80 cm
PLACA BASE base plate							
pernos(4)/spikes	M-24x800	M-22x700	M-22x700	M-22x700	M-22x700	M-22x700	M-22x700
cartelas/consolas	160mm(8)	150mm(4)	150mm(4)	150mm(4)	150mm(4)	150mm(4)	150mm(4)
∅ placa B/plate B	500 mm	400 mm	400 mm	360 mm	400 mm	360 mm	360 mm
∅ centros b/centers	350 mm	300 mm	300 mm	260 mm	300 mm	260 mm	260 mm
E	15 mm	12 mm	12 mm	12 mm	12 mm	10 mm	10 mm
PROYECTORES projectors	4	3 ó 5	3	3	3	2	1
n° rótulas	4	3 ó 5	3	3	3	2	1



Puertas de registro y cerramiento con llave de tubo triangular /  
Inspection hatch and lock with triangular tube key