


The *Comú* modular bench, made from dry mix concrete, is the response to the need to design a meeting point. Its basic, circular, enclosure-like configuration with an external diameter of 4 metres is an invitation for people to sit on the inside or outside of the bench and enjoy each other's company for an extended period of time. The LED lighting below the seat also allows it to be used at night.

Concrete | Modular |  195 cm/max |  830 kg |  3

Add-ons:  |  | LED

 Update 11.03.2021



### Origin

*Comú* was originally designed in an arrangement of circles made up of three concave modules and was first installed in Rambla Sant Francesc, a large versatile public area in the centre of the Catalan city of Vilafranca del Penedés, for the purpose of covering and completing the construction of an underground car park. This project including the felling of the trees that gave it its identity.

### Modular

Its modular nature and combination of straight, concave and convex modules permit an infinite number of designs that can be adapted to a large variety of spaces.

### Material

Dry mix concrete with an etched finish. Supplied in all the *Escofet* standard chart colours. All the modules have a cable duct for housing the LED lighting strip and a compartment for the driver. Back made from perforated zinc plated steel textured silver coated finish for the straight and concave modules. Armrest accessory made of the same material and finish.

### Installation

The *Comú* series modules, in their three versions (concave, convex and straight) are anchored to the paving with two M16 x 140 mm metal threaded rods.





COMÚ



Escofet®

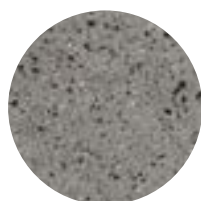
# 1. Modular bench

Comú Recto	Derecho	Central	Izquierdo	Individual
<b>Dimensions</b>	195 x 48 x 50 cm	195 x 48 x 50 cm	195 x 48 x 50 cm	195 x 48 x 50 cm
<b>Weight</b>	830 kg	815 kg	830 kg	865 kg
Comú Cóncavo				
<b>Dimensions</b>	195 x 67 x 50 cm	195 x 67 x 50 cm	195 x 67 x 50 cm	195 x 67 x 50 cm
<b>Weight</b>	830 kg	815 kg	830 kg	865 kg
Comú Convexo				
<b>Dimensions</b>	195 x 67 x 50 cm	195 x 67 x 50 cm	195 x 67 x 50 cm	195 x 67 x 50 cm
<b>Weight</b>	830 kg	815 kg	830 kg	865 kg
<b>Lighting</b>	Tira LED 8W/m; 3000° K / 6000° K			
<b>Driver</b>	24 V / 1,5A / IP67			

## 1.1 General features

<b>Material</b>	Concrete	<b>Fixing</b>	Anchored with screws
<b>Finish</b>	Etched and waterproofed		
<b>Respaldo y apoyabrazos</b>	Zinc plated steel		
<b>Finish</b>	Textured Silver coated finish. Category of atmospheric corrosivity C5 according to UNE EN ISO 12944-2.		

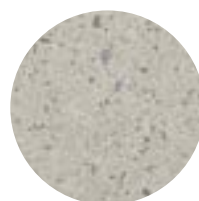
## Colours



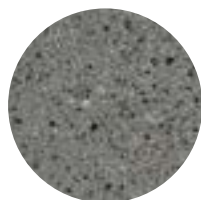
**GR.** Grey



**NG.** Black



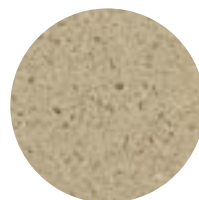
**BL.** White



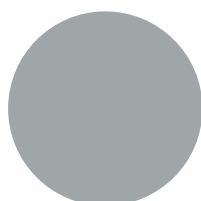
**CA.** Grey CA



**RA.** Red



**BG.** Beige



**A.** Textured Silver steel

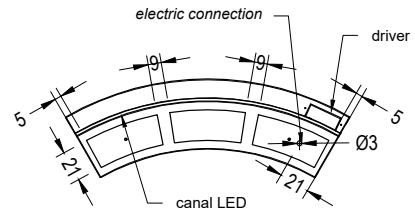
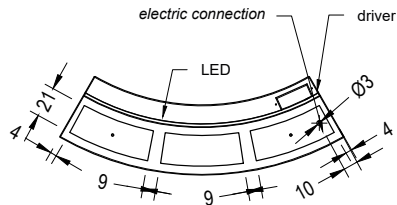
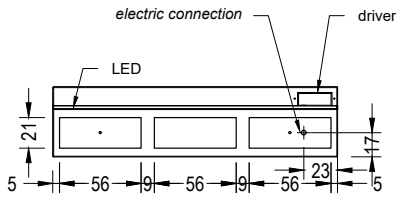
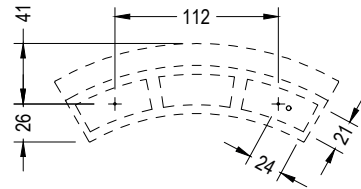
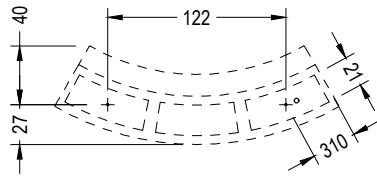
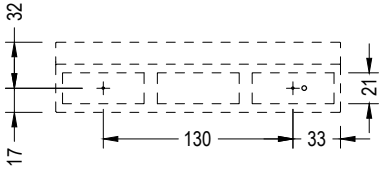
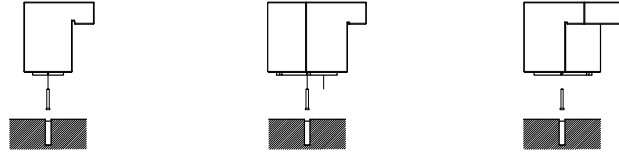
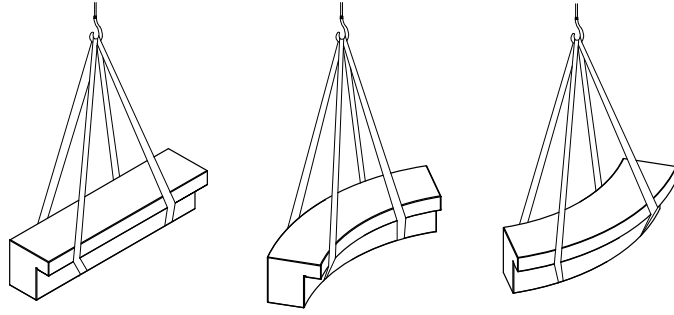
## 1.2 Installation system

### Hoisting

(W= 815 / 830 / 865 kg)

### Installation

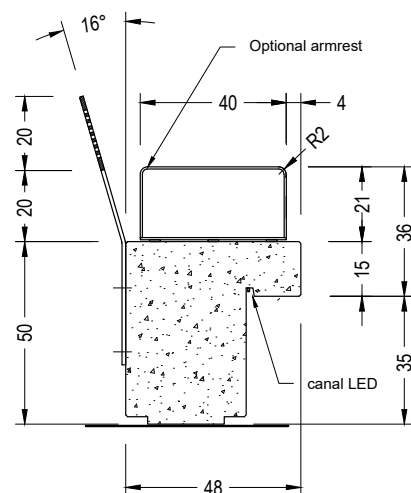
Tightly screw the 2 stud bolts M-16x140, drill pavement (Ø 40x180 mm) and fill with resin or fat mortar. Center and caulk the bench foot all around.



## 1.3. Lighting

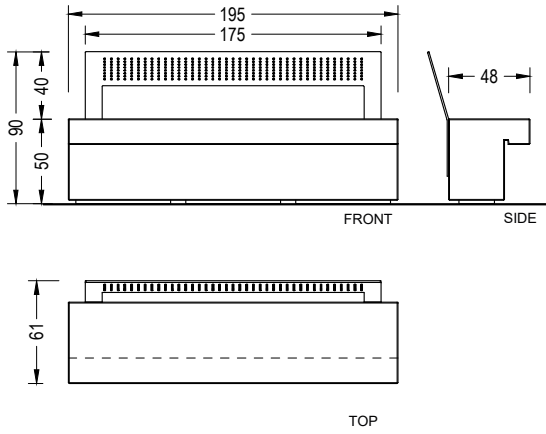
LED	
Operating voltage	24V
Power	8W/m
Color temperature	6000K
Degree of protection	IP67

Driver Vossloh or similar	
Power	30W
Voltage	220-240V
Frequency	50-60Hz
Power factor	>0,9
Degree of protection	IP67

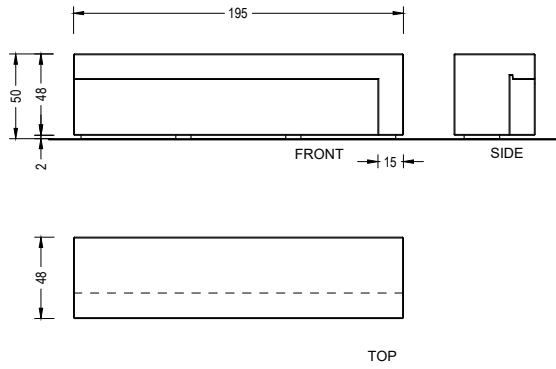


## 1.4. Geometry Recto

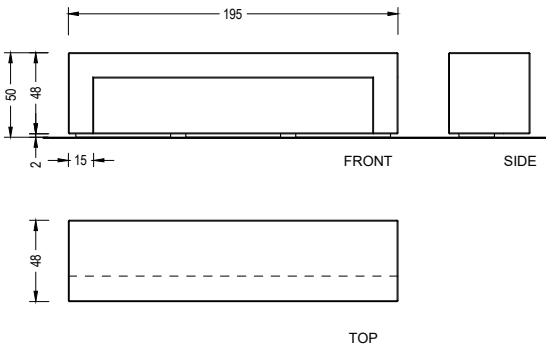
### Comú Recto Central



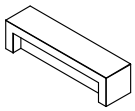
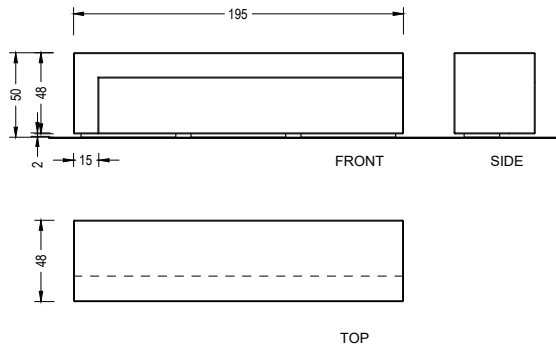
### Comú Recto Derecho



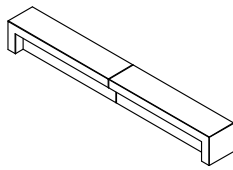
### Comú Recto Individual



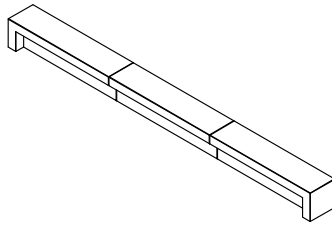
### Comú Recto Izquierdo



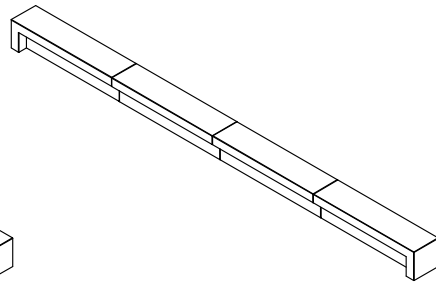
COMU RECTO INDIVIDUAL



COMU RECTO DUPLO

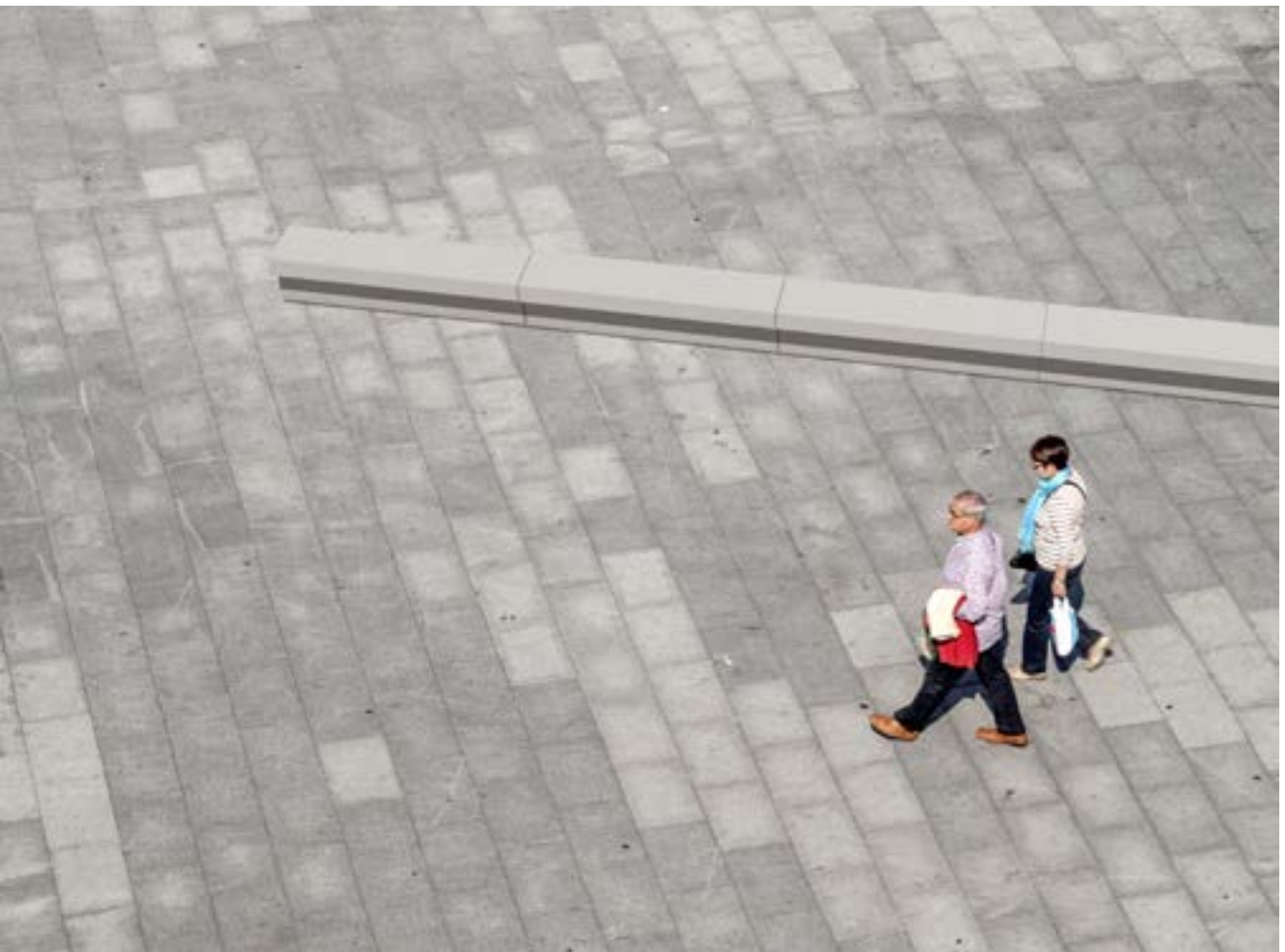


COMU RECTO LINE



COMU RECTO LINE  
+ 1 COMU EXTENSION (RECTO CENTRAL)

COMÚ

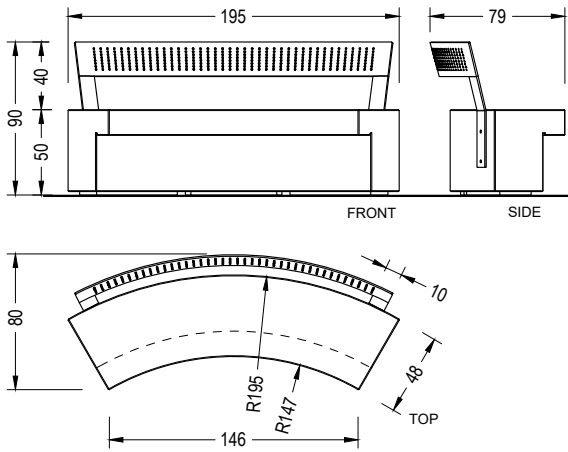


Escofet®

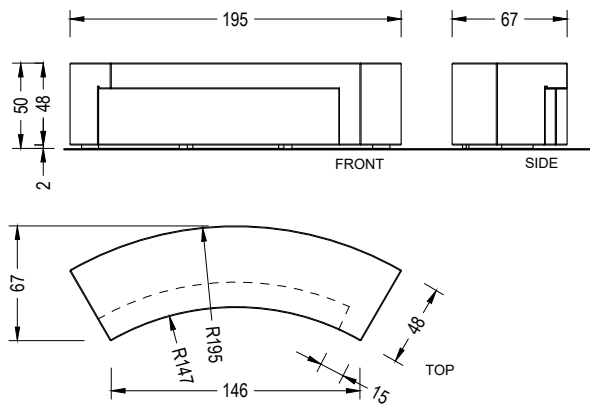


## 1.5. Geometry Cóncavo-Convexo

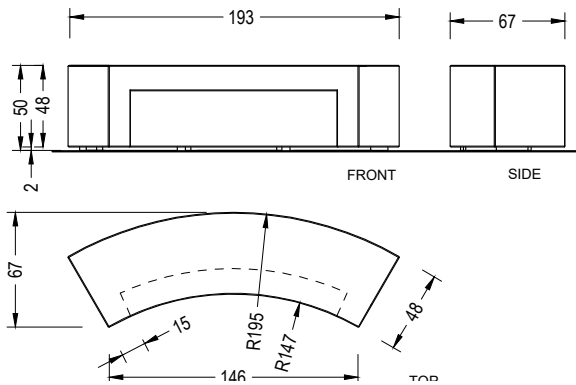
### Comú Cóncavo Central



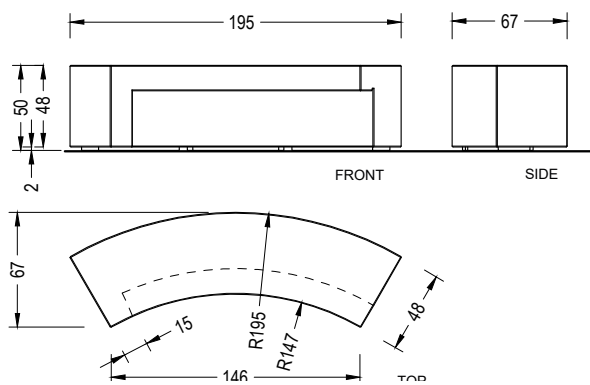
### Comú Cóncavo Derecho



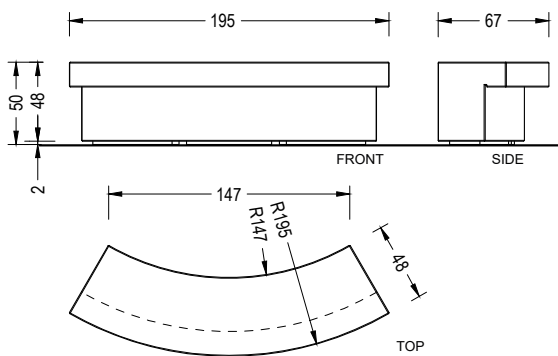
### Comú Cóncavo Individual



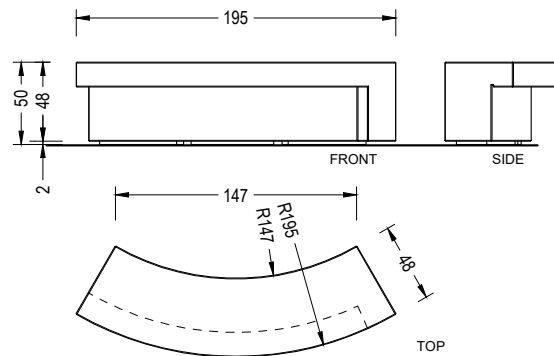
### Comú Cóncavo Izquierdo



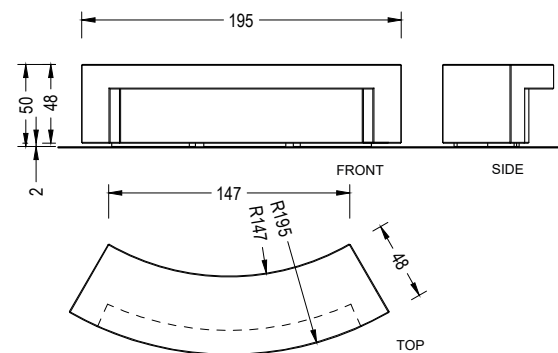
### Comú Convexo Central



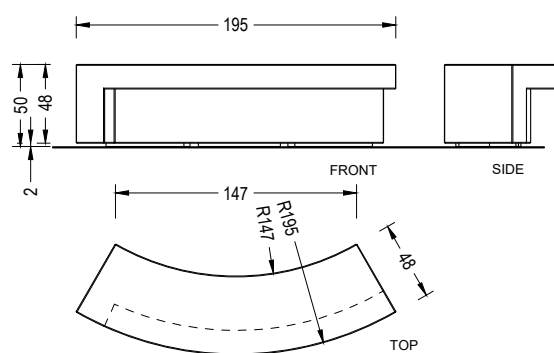
### Comú Convexo Derecho



### Comú Convexo Individual

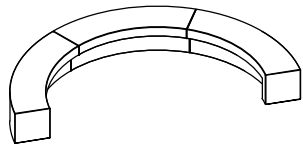


### Comú Convexo Izquierdo

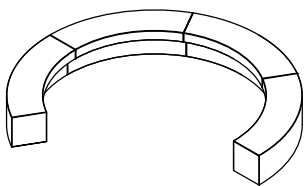




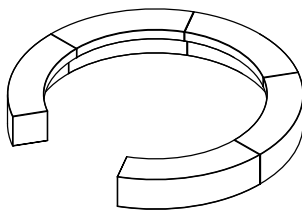
## 1.6. Aggregations



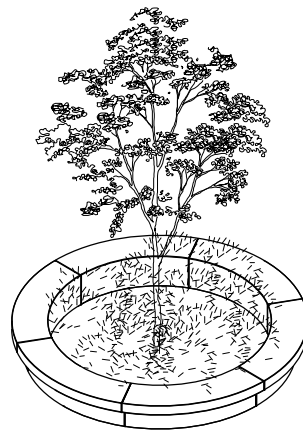
1 COMÚ CÓNCAVO CENTRAL +  
1 COMÚ CÓNCAVO DERECHO +  
1 COMÚ CÓNCAVO IZQUIERDO



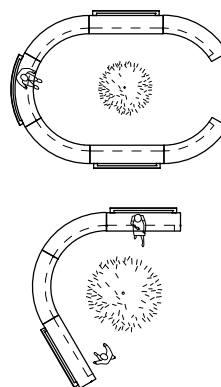
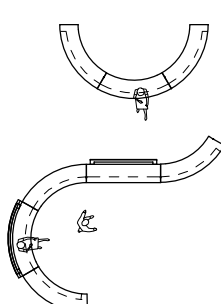
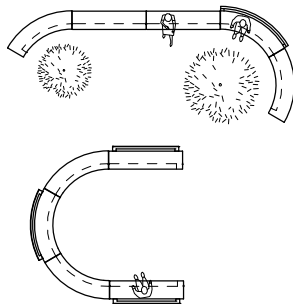
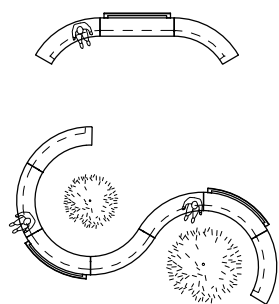
2 COMÚ CÓNCAVO CENTRAL +  
1 COMÚ CÓNCAVO DERECHO +  
1 COMÚ CÓNCAVO IZQUIERDO

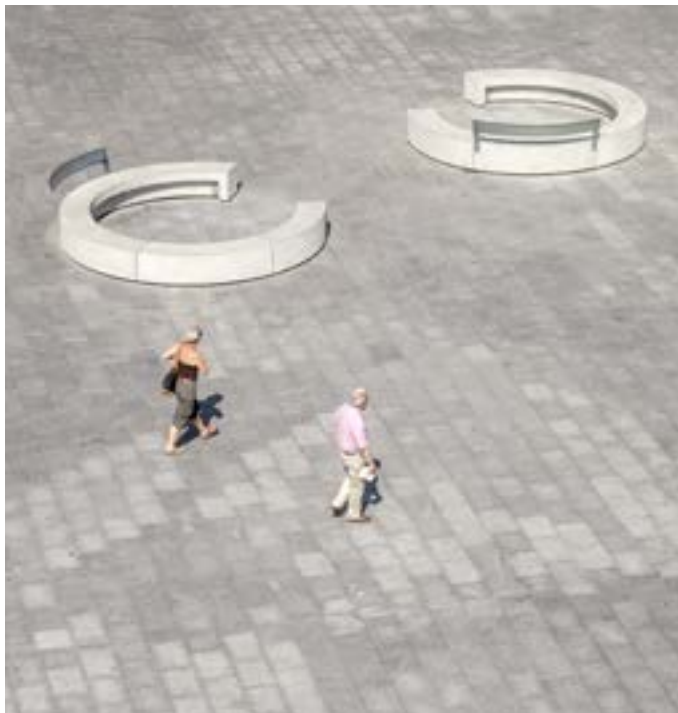


3 COMÚ CÓNCAVO CENTRAL +  
1 COMÚ CÓNCAVO DERECHO +  
1 COMÚ CÓNCAVO IZQUIERDO



6 COMÚ CONVEXO





## Warranty

5 years in concrete elements.

The names, trademarks and industrial models of the products have been logged in the corresponding registers. The technical information provided by Escofet about its products can be modified without prior notice.

Escofet 1886 S.A  
Head office and production

Montserrat, 162  
E 08760 Martorell  
Barcelona - España  
T. 0034 937 737 150  
F. 0034 937 737 151

info@escofet.com  
www.escofet.com

