

Boxland is a modular system for arranging multiple aggregations covering all the components of the *Box* benches collection in their five lengths, together with the pentagonal articulation element *Nexus*. The collection is complemented with the elements *Curve*, *Radius*, *Terminal* and *Box Planter*. The harmonic composition of this suite of products allows infinity of simple or complex compositions that fit into any urban setting.

Concrete | 250 cm/max | 1326 kg | 5 | 220 L | x pcs. |

Update 03.03.2021

Add-ons: |



Modular

Box bench with a variable length of 250, 200, 150, 100 and 50 cm and every complement have a common width and height of 50 cm to be able to add them in a modular composition. The planter length 200 cm can be attached both laterally and longitudinally. With the incorporation of *Nexus*, the modularity is extended towards polar compositions with an angle between radii of 72°. The *Universe* and *Kanji* seating system fits into any section of Boxland, while the HPL seats are only available to be embedded to complement *Box 200*.

Ecological

Environmentally-sustainable product with an external natural stone finish using local recycled aggregates, in a formulation that replaces the use of natural aggregates. Eco-Grey® and Eco-Black®, with the CE marking.

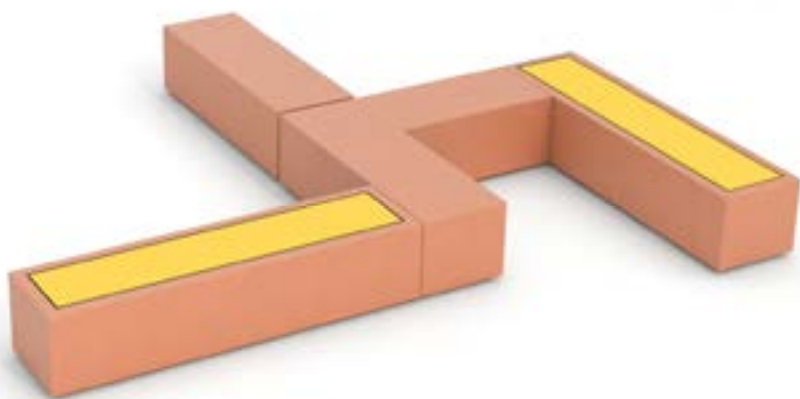
Material

Moulded concrete and etched finish with two recycled aggregate options: Eco-Grey® with recycled concrete aggregates for models manufactured in grey and Eco-Black® with aggregates from iron and steel slag with a high specific weight, an improved wear parameter and high resistance to freeze-thaw cycles. Optional seat made of solid Teak wood slats, jointed with black elastomer, or with HPL sheet in colour under request.

Installation

Resting on the paving, and optionally anchored with two screws threaded through sleeves recessed in base. Sunken baseboard with sling mounting holes to facilitate loading-unloading and installation.





1. Box Backless bench

Box	50	100	150	200	250
Dimensions	50 x 50 x 45 cm	100 x 50 x 45 cm	150 x 50 x 45 cm	200 x 50 x 45 cm	250 x 50 x 45 cm

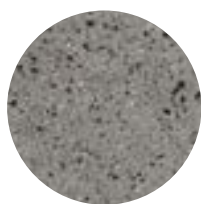
Weight	265 kg	530 kg	795 kg	1060 kg	1326 kg
--------	--------	--------	--------	---------	---------

1.1 General features

Material	Concrete Recycled concrete	Fixing	Free-standing Anchored with screws
----------	-------------------------------	--------	---------------------------------------

Finish	Etched and waterproofed
--------	-------------------------

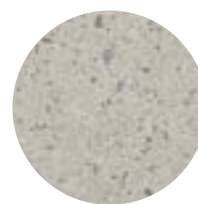
Colours



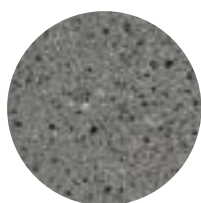
GR. Grey



NG. Black



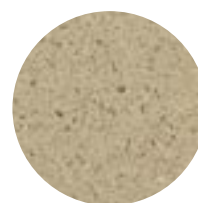
BL. White



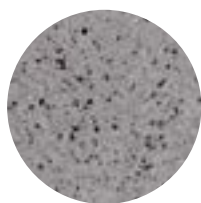
CA. Grey CA



RA. Red



BG. Beige



EGR. Eco-Grey®



ENG. Eco-Black®

1.2 Accessories Box 200 specifications

Material	Teak Wood
----------	-----------

Colours



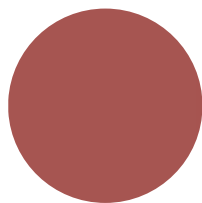
A. Teak

1.2 Accessories Box 200 specifications

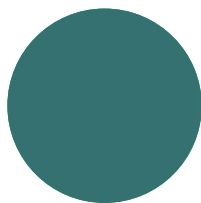
Material High Pressure Laminated HPL

Finish Embossing matt

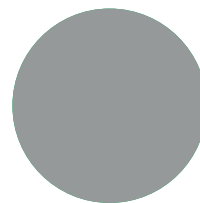
Colours



A. Terracotta

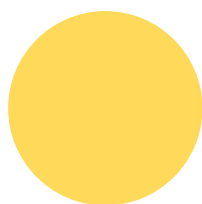


B. Petrol Green

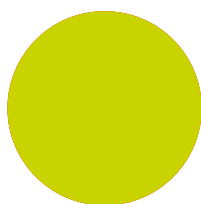


C. Medium Grey

*The color may not be exactly the same as the final product.



D. Golden Yellow



E. Yellowish Green



F. HPL - Enigma Wood

1.2.1 HPL technical features

Description Panels are duromer high-pressure laminates in accordance with EN 438-6 Type EDF. Double-hardened acrylic PUR resins provide extremely effective weather protection.

Weather resistant EN ISO 4892-2

Lightfastness EN ISO 4892-3

Impact resistant EN ISO 178

Temperatures resistant -80°C a 180°C DMTA- OFI 300.128

Scratch resistant Yes

Solvent resistant Yes

Hail resistant Yes

Easy to clean Yes

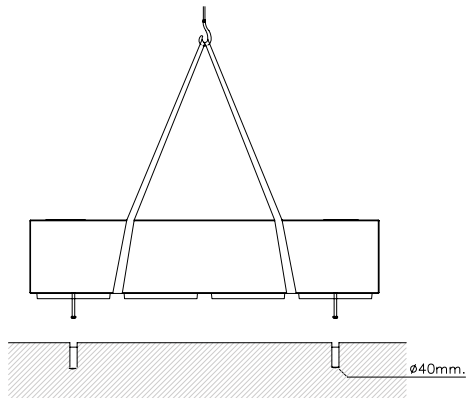
1.3 Installation system

Hoisting

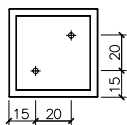
(P=265 kg / 530 kg / 795 kg / 1060 kg / 1326 kg)

Installation

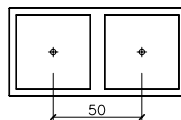
Drill pavement $\varnothing 40 \times 180$ mm and fill with resin or fat mortar. Tightly screw the 2 stud bolts Din 931 M16 x 140 mm. Center and caulk the bench foot all around.



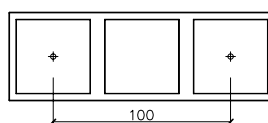
BOX 50



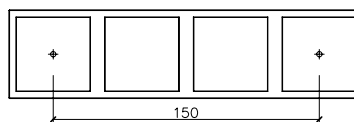
BOX 100



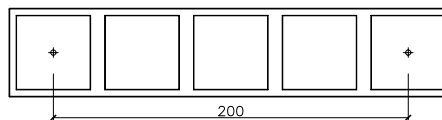
BOX 150



BOX 200

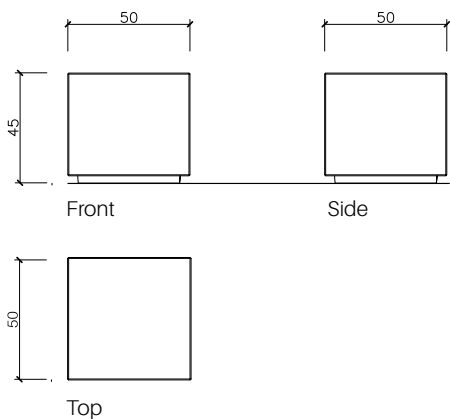


BOX 250

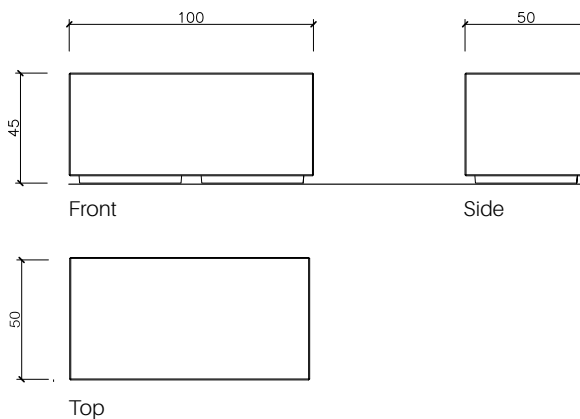


1.4 Geometry

Box 50

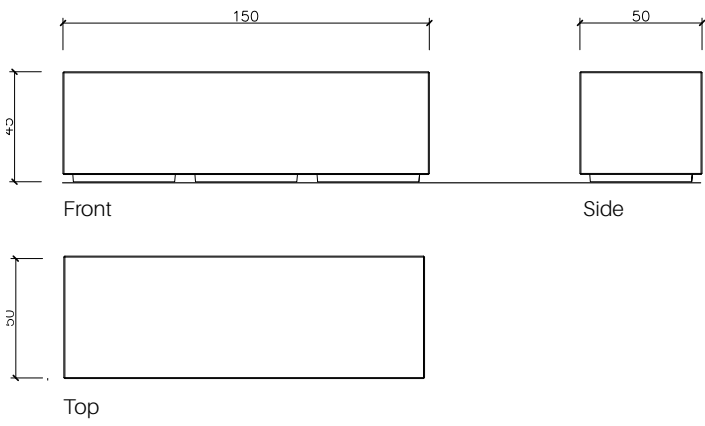


Box 100

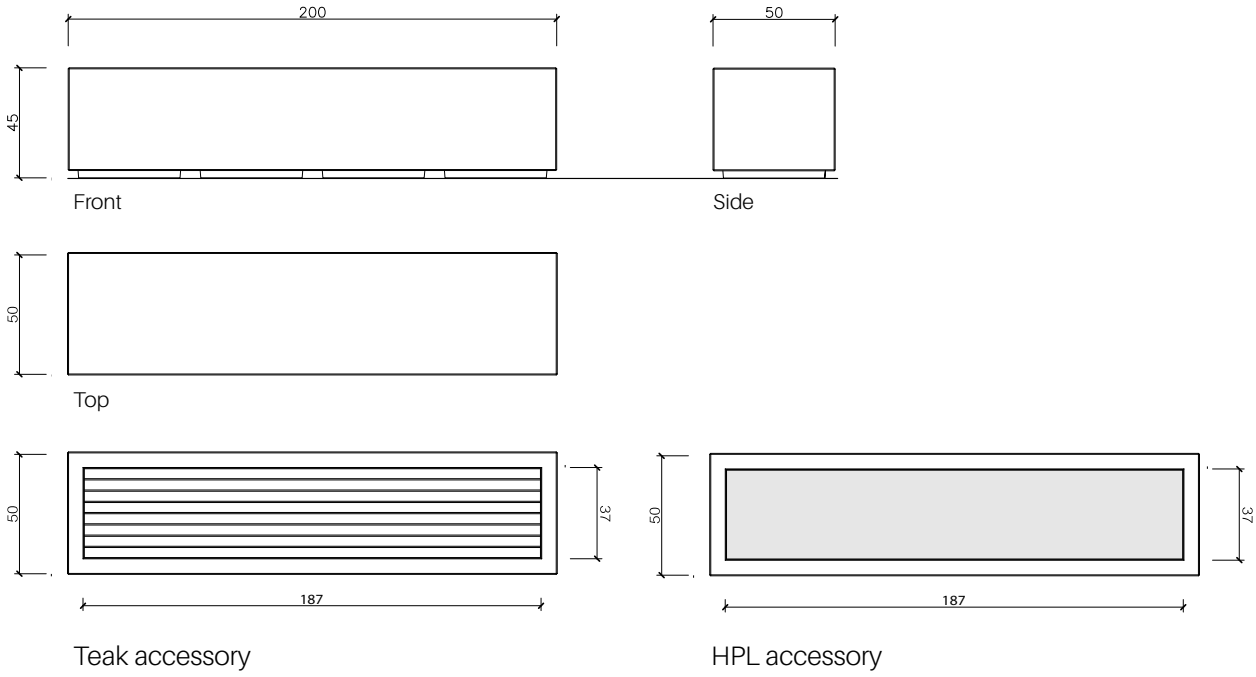


1.4 Geometry

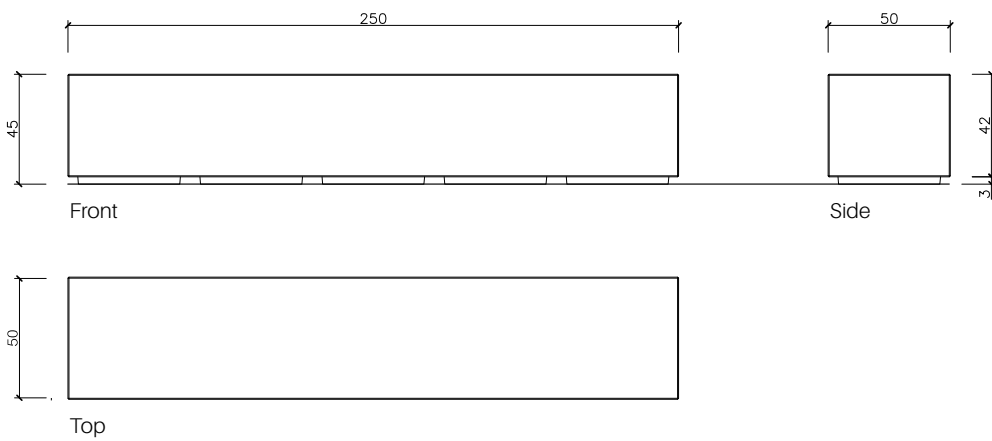
Box 150



Box 200



Box 250



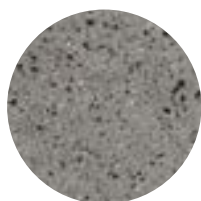
2. Box connectors

Box Curve	R150		
Dimensions	200 x 50 x 45 cm		
Weigh	1040 kg		
Box Nexus			
Dimensions	81 x 76 x 45 cm		
Weigh	450 kg		
Box Radius	45°	90°	120°
Dimensions	52,6 x 42 x 45 cm	60 x 60 x 45 cm	89,5 x 60 x 45 cm
Weigh	145 kg	290 kg	388 kg

2.1 General features

Material	Concrete Recycled concrete	Fixing	Free-standing Anchored with screws
Finish	Etched and waterproofed		

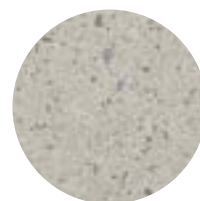
Colours



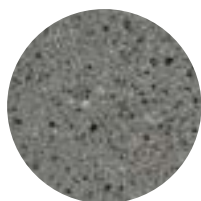
GR. Grey



NG. Black



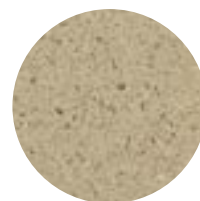
BL. White



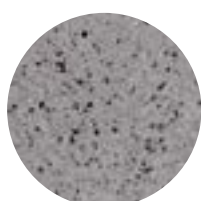
CA. Grey CA



RA. Red



BG. Beige



EGR. Eco-Grey®

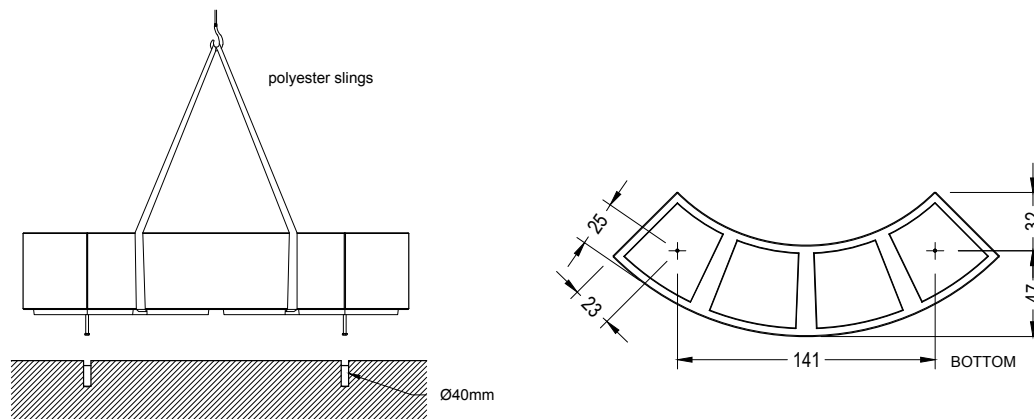


ENG. Eco-Black®

2.2 Installation system

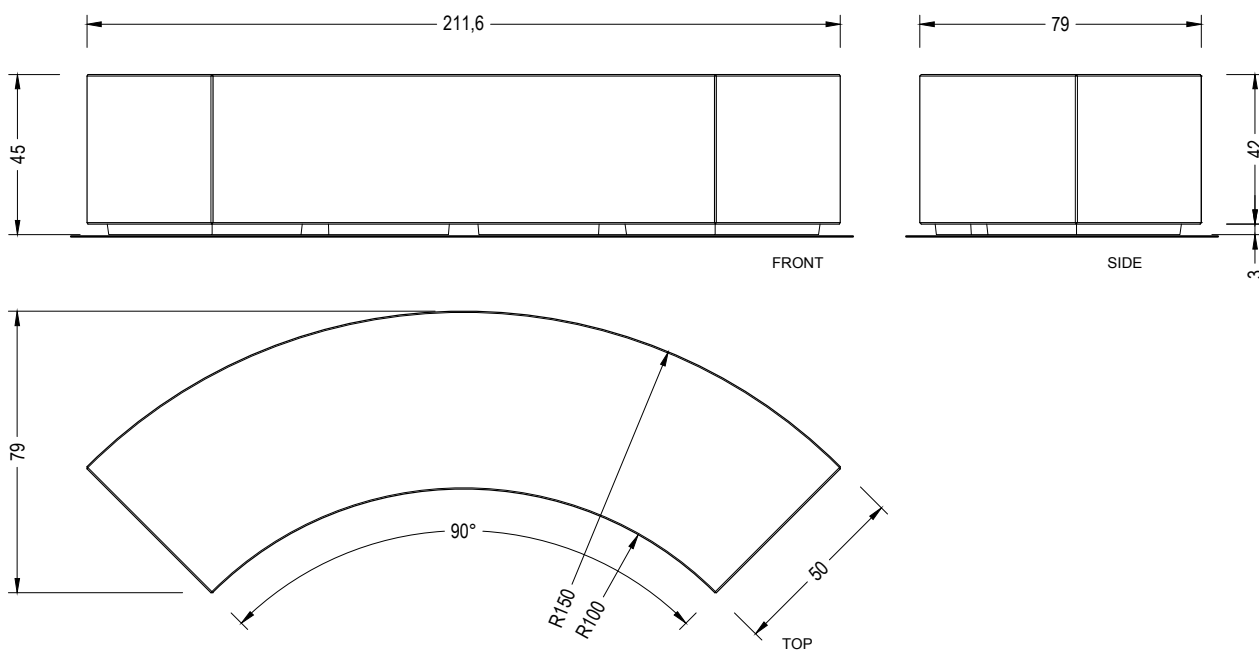
Hoisting

(P=1040 kg)

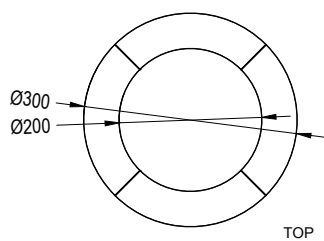


2.3 Geometry

Box Curve R150

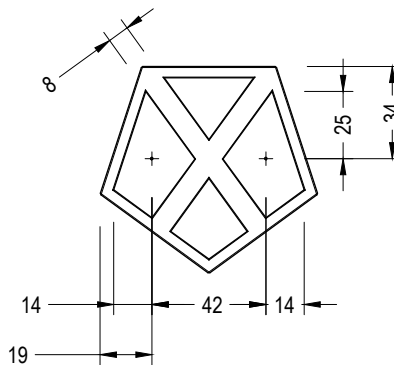
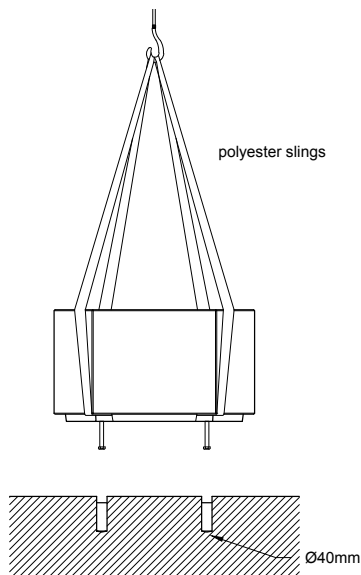


Agregations 4 Box Curve



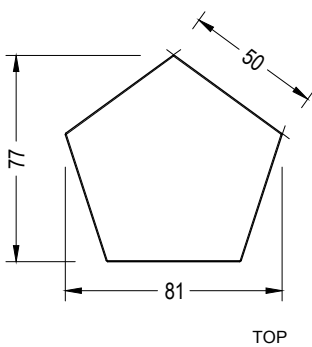
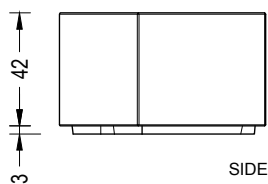
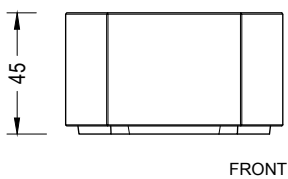
2.2 Installation system

Hoisting
(W=450 kg)



2.3 Geometry

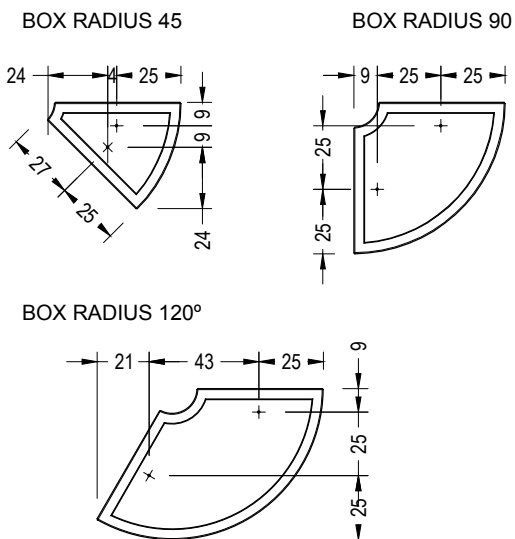
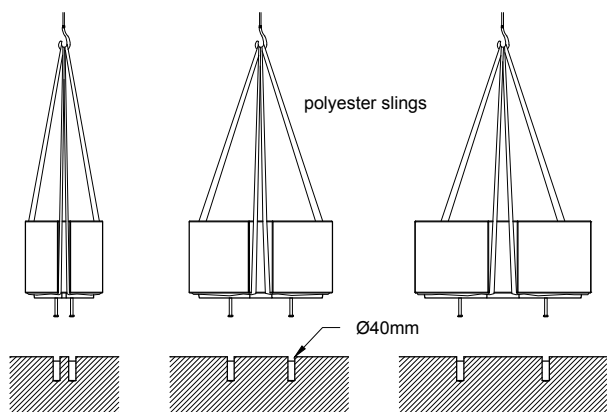
Box Nexus



2.2 Installation system

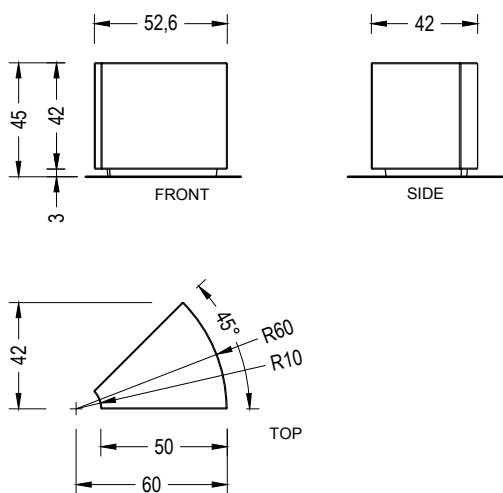
Hoisting

(W=145 kg / 290 kg / 388 kg kg)

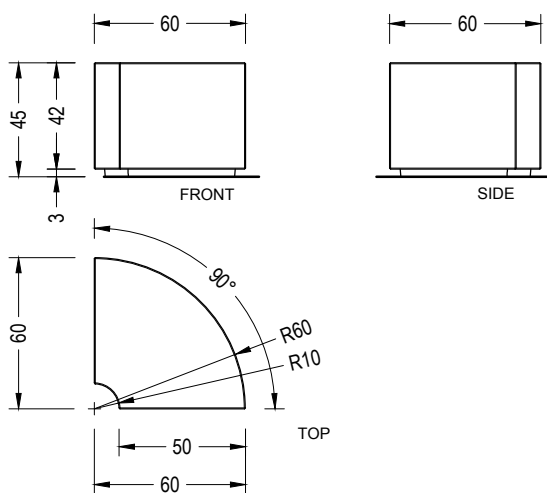


2.3 Geometry

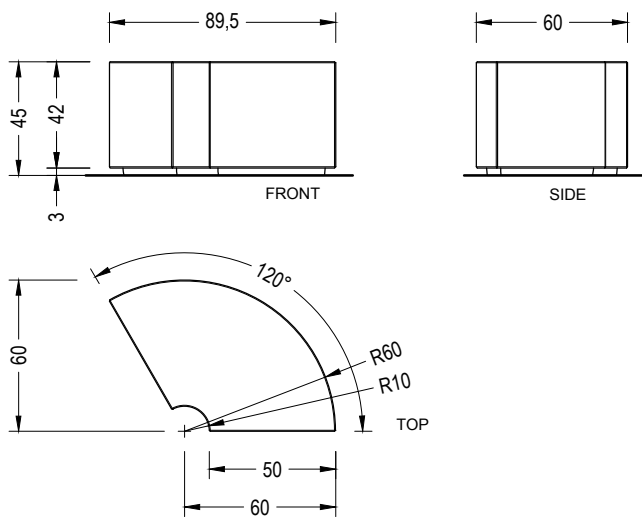
Box Radius 45°



Box Radius 90°



Box Radius 120°



3. Box Terminal

Box Terminal

Dimensions 200 x 50 x 45 cm

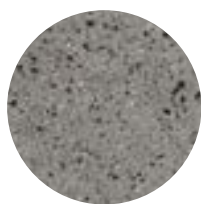
Weigh 972 kg

3.1 General features

Material	Concrete Recycled concrete	Fixing	Free-standing Anchored with screws
-----------------	-------------------------------	---------------	---------------------------------------

Finish Etched and waterproofed

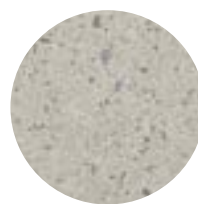
Colours



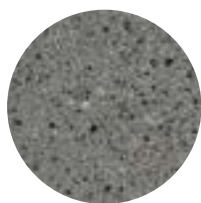
GR. Grey



NG. Black



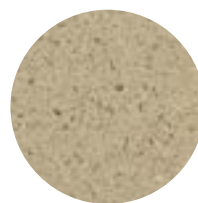
BL. White



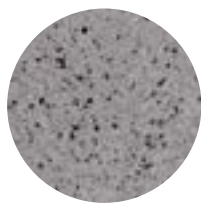
CA. Grey CA



RA. Red



BG. Beige



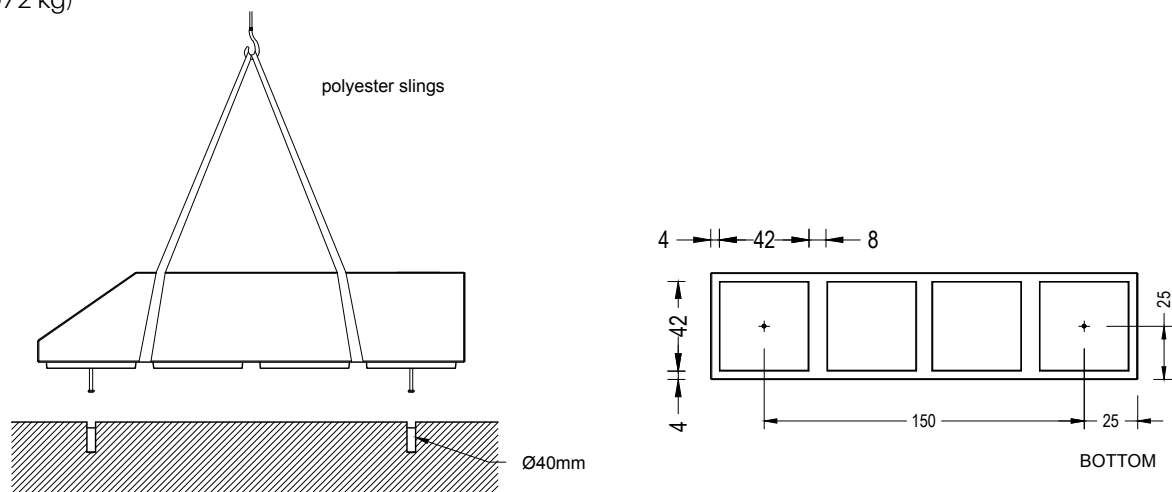
EGR. Eco-Grey®



ENG. Eco-Black®

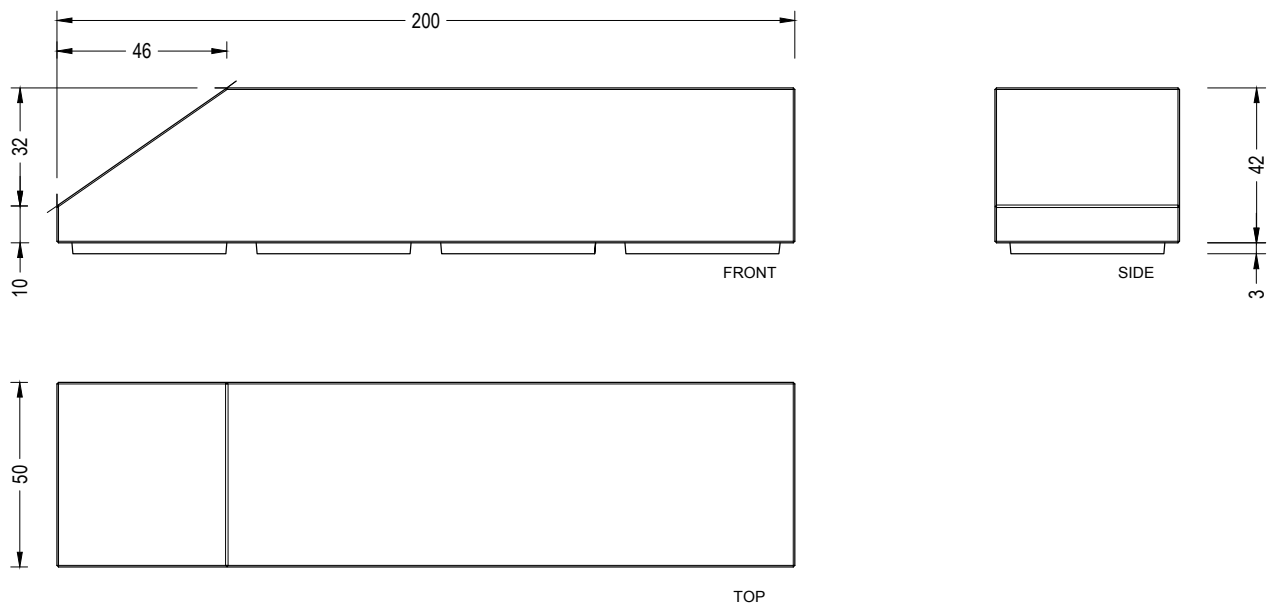
3.2 Installation system

Hoisting (W=972 kg)



3.3 Geometry

Box Terminal



4. Box Planter

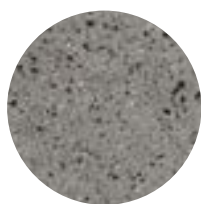
Box Planter	Rectangular	Square
Dimensions	200 x 50 x 45 cm	100 x 100 x 45 cm
Weight	534 kg	475 kg
Capacity	220 L	245 L

4.1 General features

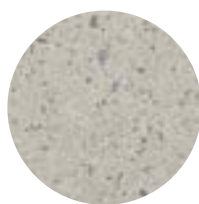
Material	Concrete Recycled concrete	Fixing	Free-standing / Anchored with screws
-----------------	-------------------------------	---------------	---

Finish	Etched and waterproofed
---------------	-------------------------

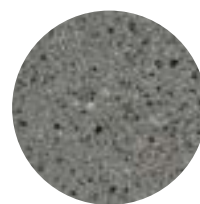
Colours



GR. Grey



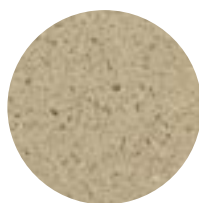
BL. White



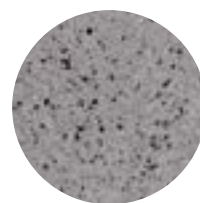
CA. CA Grey



RA. Red



BG. Beige



EGR. Eco-Grey®

4.2 Installation system

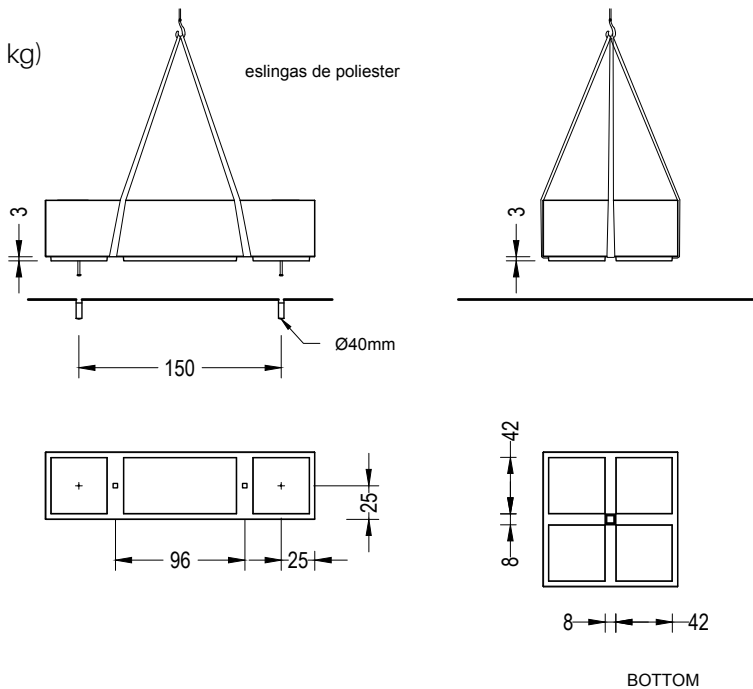
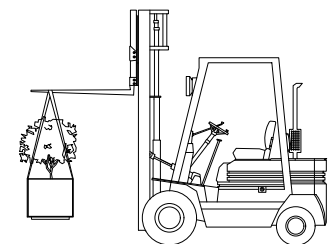
Hoisting

W= 534 kg (with soil 908 kg) / 475 kg (with soil 892 kg)

Installation

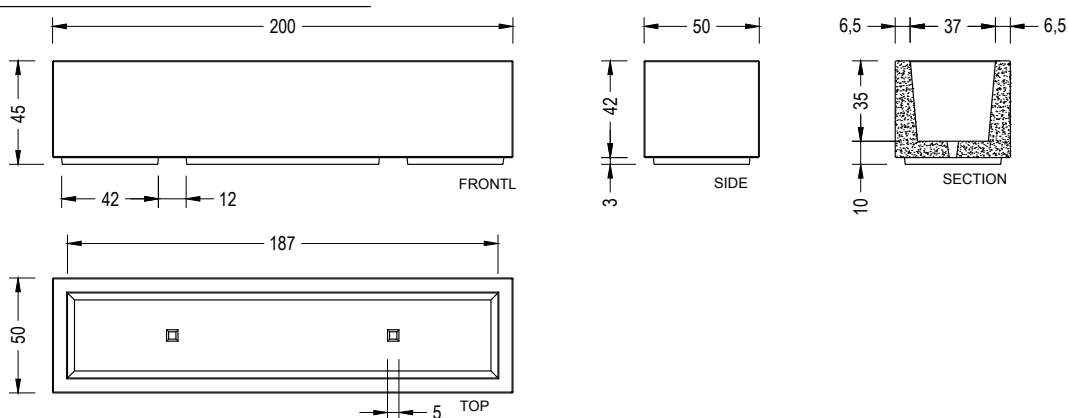
Tightly screw the 2 bolts M16 x 140 mm, then, drill pavement (Ø40x180 mm) and fill with resin or fat mortar and finally, center and place.

Box Planter is supplied with integral holes in feet to enable movement, post-planting, by forklift

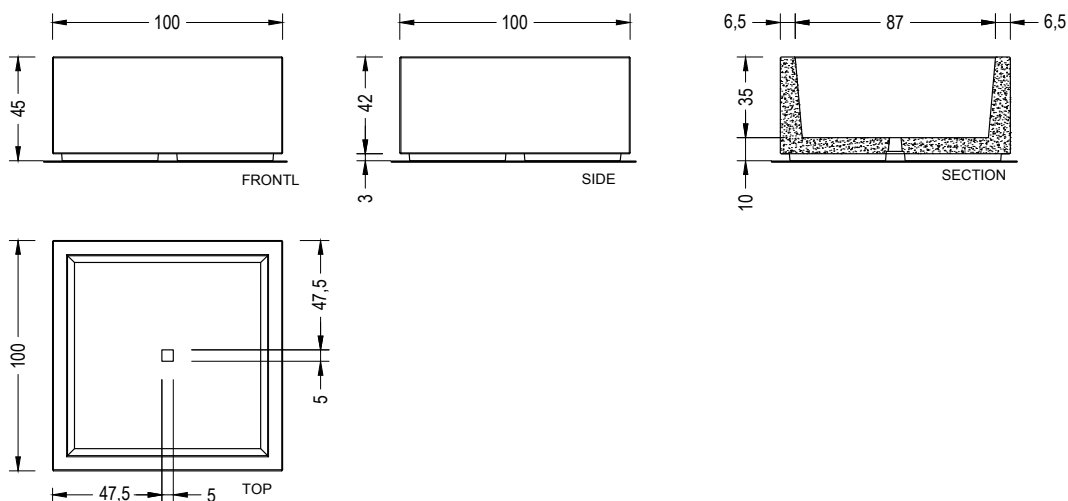


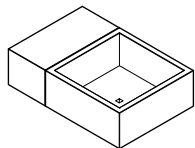
4.3 Geometry

Box Planter Rectangular

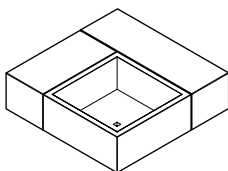


Box Planter Square

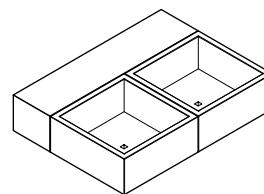




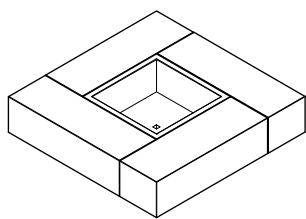
Box Planter Square, Box 100



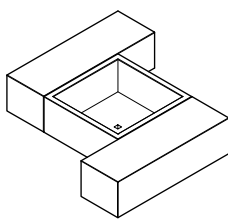
Box Planter Square, Box 100, 150



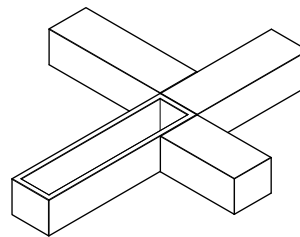
Box Planter Square, Box 200



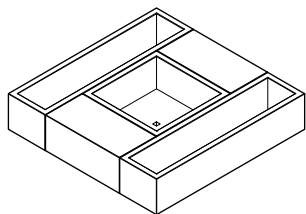
Box Planter Square, Box 150



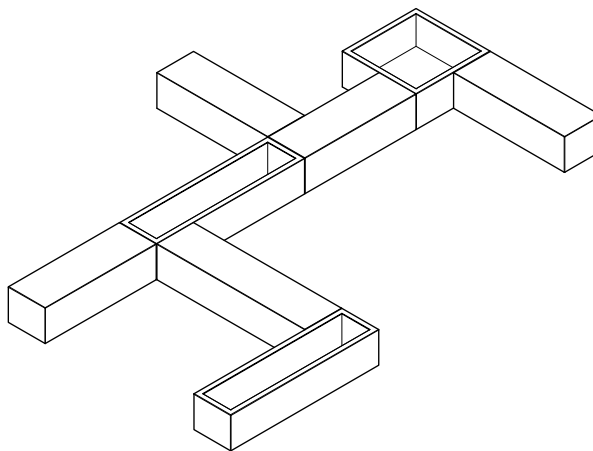
Box Planter Square, Box 150



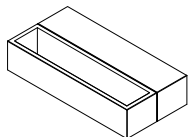
Box Planter Square, Box 100, 150



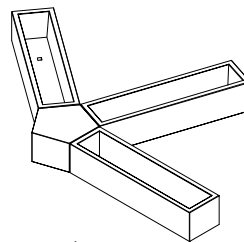
Box Planter Square, Box Planter Rectangular, Box 100



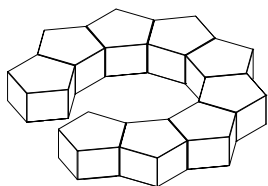
Box Planter Square, Box Planter Rectangular, Box 150, 200



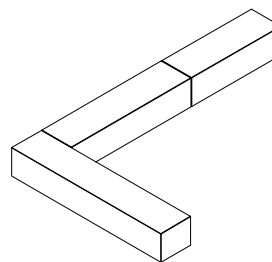
Box 200 + Box Planter



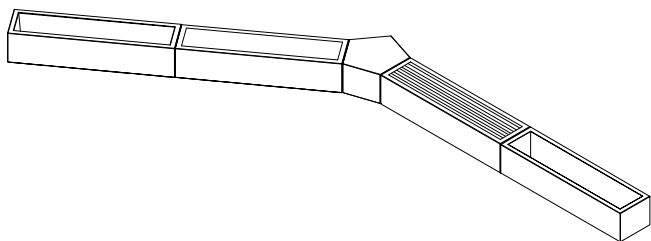
Box Nexus, Box Planter



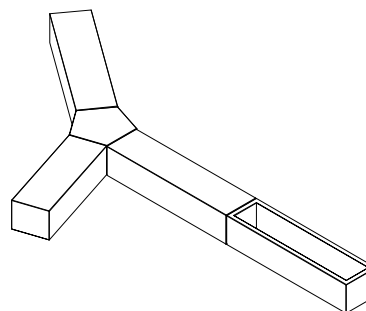
Box Nexus



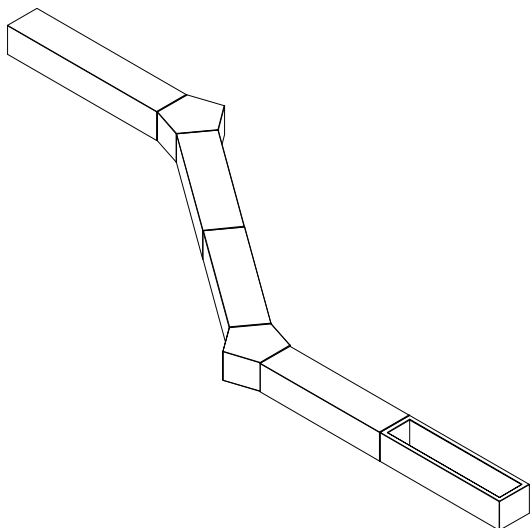
Box 150, 200, 250



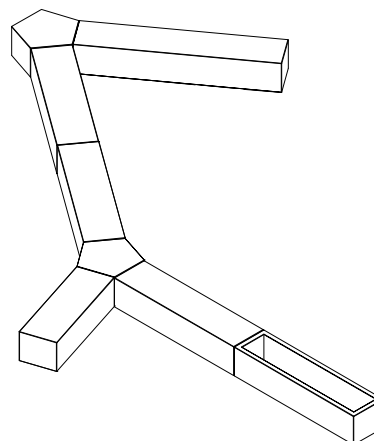
Box Planter, Box Nexus, Box 200 Teca



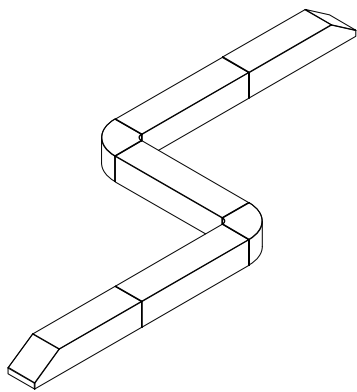
Box 150, 200, Box Nexus, Box Planter



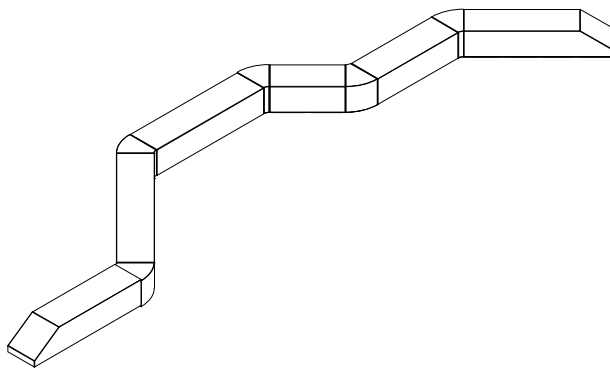
Box Planter, Box Nexus, Box 200, 250



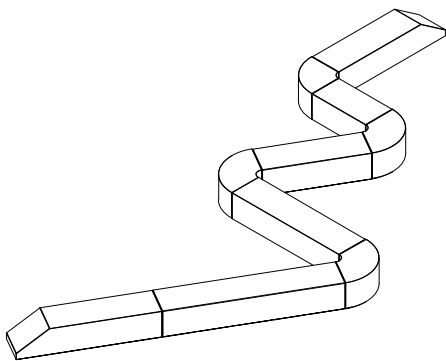
Box Planter, Box Nexus, Box 200, 250



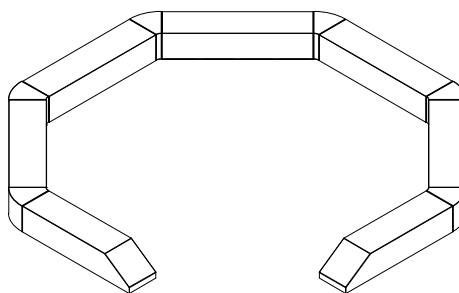
Box 200, Box Radius, Box Radius 90



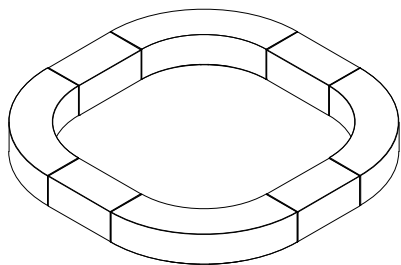
Box Terminal, Box Radius 45, Box 250,
Box 200, Box 150, Box 100



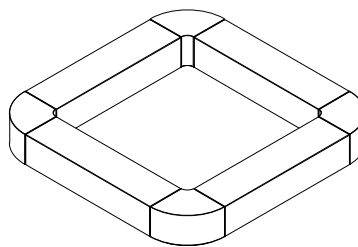
Box Terminal, Box Radius 120, Box Radius 90,
Box 250, Box 200, Box 150, Box 100



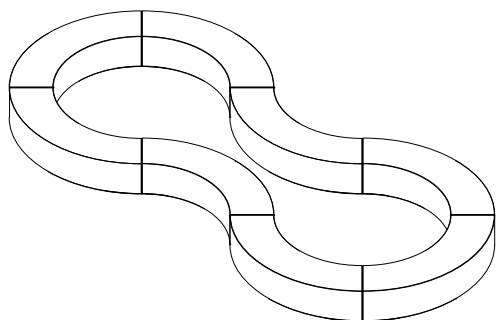
Box 150, 200, 250



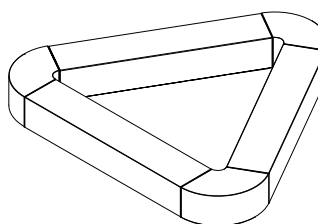
Box Curve, Box 100



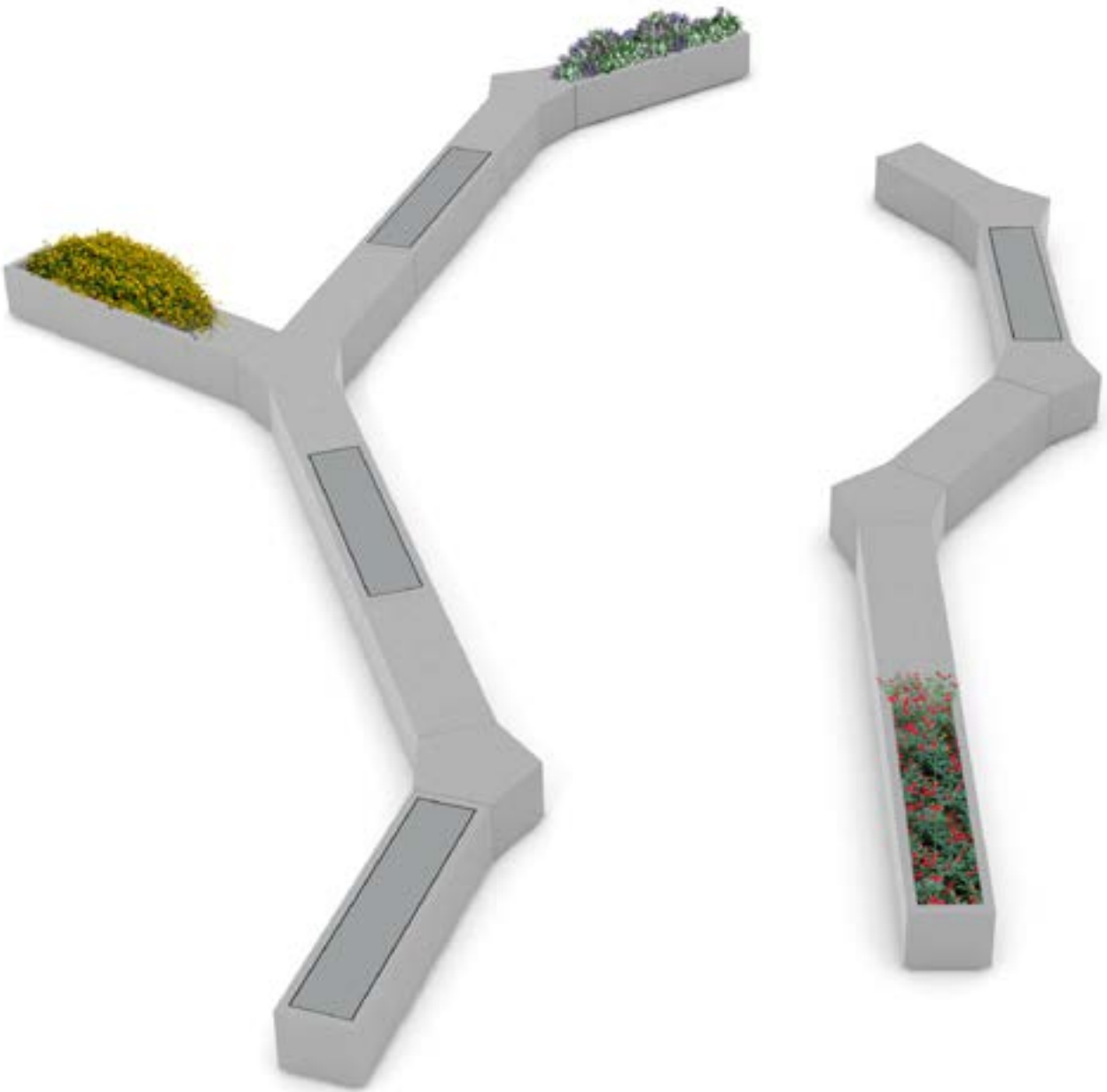
Box Radius 90, Box 250



Box Curve



Box Radius 120, Box 250





Warranty

5 years in concrete elements.

The names, trademarks and industrial models of the products have been logged in the corresponding registers. The technical information provided by Escofet about its products can be modified without prior notice.

Escofet 1886 S.A
Head office and production

Montserrat, 162
E 08760 Martorell
Barcelona - España
T. 0034 937 737 150
F. 0034 937 737 151

info@escofet.com
www.escofet.com

