


*Ful* is a street light series with a conical section and variable curvature, providing considerable freedom to optimise their orientation and create a formal result in apparent movement. The tree-like composition of this series enhances its integration into both vegetated and urban environments.

CE | UNE-EN 40-5 | Galvanized steel |  |  12 m/max. |  254 kg

Add-ons: 

 Update 03.03.2021



FUL

Jaume Artigues + Pere Cabrera 1998

Escofet®

#### Origin

*Ful* columns were designed for lighting the emblematic Rambla del Raval as a consequence of the “evisceration” of the dense urban fabric of the original neighbourhood.

#### Concept

The superimposition of small projectors is in contrast to the pronounced height of the columns. This accentuated distance between the user on the ground and the multiple light points of the lamps evokes the sensation of walking beneath the light of the stars.

#### Adaptable

Supplied in heights of 12, 10, 7, 5 and 4 metres, and fitted with 5 to 1 projector supports and cable exits compatible with any circular projector anchored with bow shackles.

#### Material

Columns with a truncated cone cross section made from Cor-ten steel or galvanized steel.

#### Installation

Must be unloaded and handled with slings. Anchored with a base plate and four threaded bolts to a concrete foundation with the recommended generic dimensions.





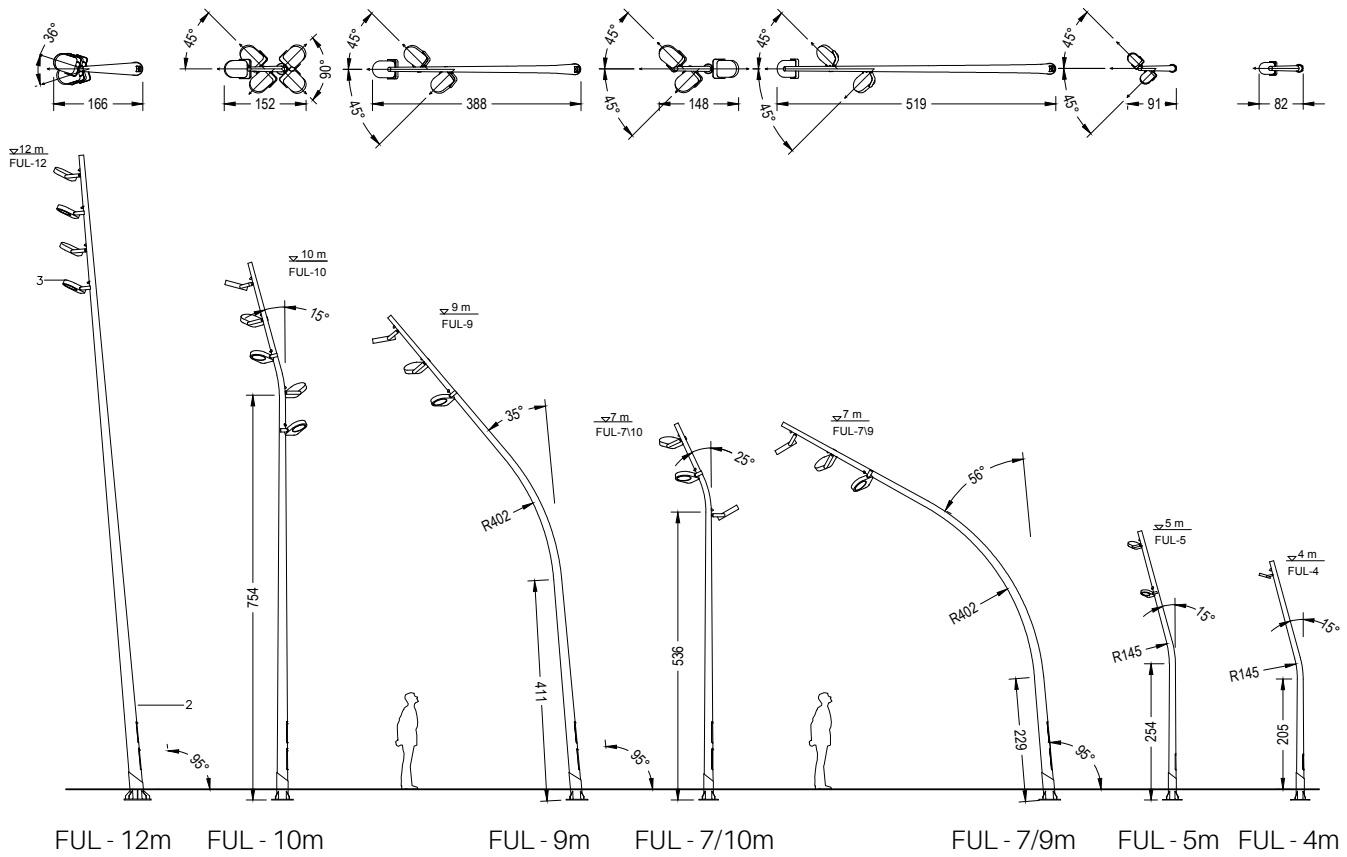
FULL



**Escofet**<sup>®</sup>

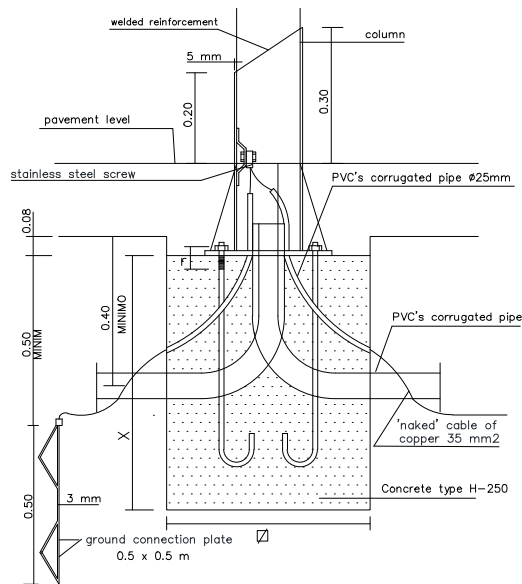
# 1. Column

## 1.1 Design options

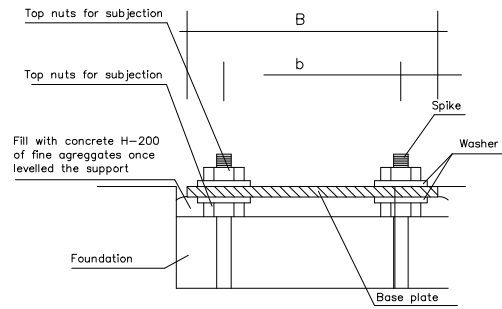


## 1.2 Foundation

DETAIL OF COLUMN FOUNDATION AND ELECTRICAL CONNECTION



FOUNDATION AND SPIKES



	FUL-12	FUL-10	FUL-9	FUL-7/10	FUL-7/9	FUL-5	FUL-4
foundation							
(dim.aprox.)	X 120 cm	100 cm	80 cm	80 cm	80 cm	80 cm	80 cm
	ø 90 cm	80 cm	80 cm	80 cm	80 cm	80 cm	80 cm
base plate							
spikes (4)	M-24x800	M-22x700	M-22x700	M-22x700	M-22x700	M-22x700	M-22x700
consoles	160mm(8)	150mm(4)	150mm(4)	150mm(4)	150mm(4)	150mm(4)	150mm(4)
plate B	500 mm	400 mm	400 mm	360 mm	400 mm	360 mm	360 mm
centers b	350 mm	300 mm	300 mm	260 mm	300 mm	260 mm	260 mm
E	15 mm	12 mm	12 mm	12 mm	12 mm	10 mm	10 mm

1.3 Features

<b>Material</b>	Galvanized steel or Cor-ten steel.	<b>Weight</b>	F-12m: 254kg; F-10m:202kg; F-9m: 202kg; F-7/10m:149; F-7/9m: 202kg; F-5m:112kg; F-4m: 65 kg
-----------------	------------------------------------	---------------	---

<b>Dimensions</b>	12m/ 10m/9m/7m/5m/ 4 m	<b>Thickness</b>	Galvanized 4 mm Cor-ten 5 mm
-------------------	------------------------	------------------	---------------------------------

<b>Finish</b>	<p><b>A.</b> Hot-dip galvanized steel</p> <p><b>B.</b> Hot-dip galvanized steel and RAL powder-coated or cor-ten effect.</p> <p>1. Zinc rich epoxy primer.</p> <p>2. Two-component polyurethane coating satin.</p> <p><b>C.</b> Cor-ten.</p>
---------------	--



**A.** Galvanized



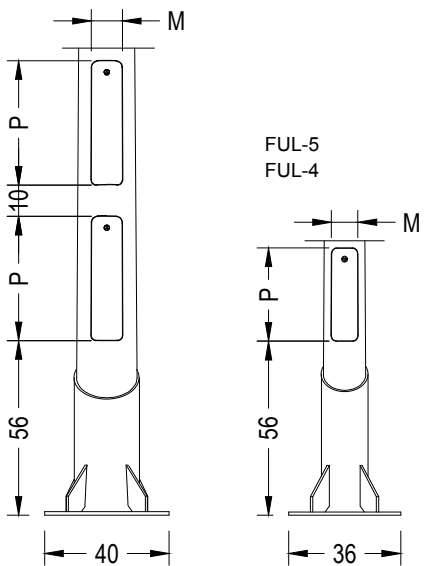
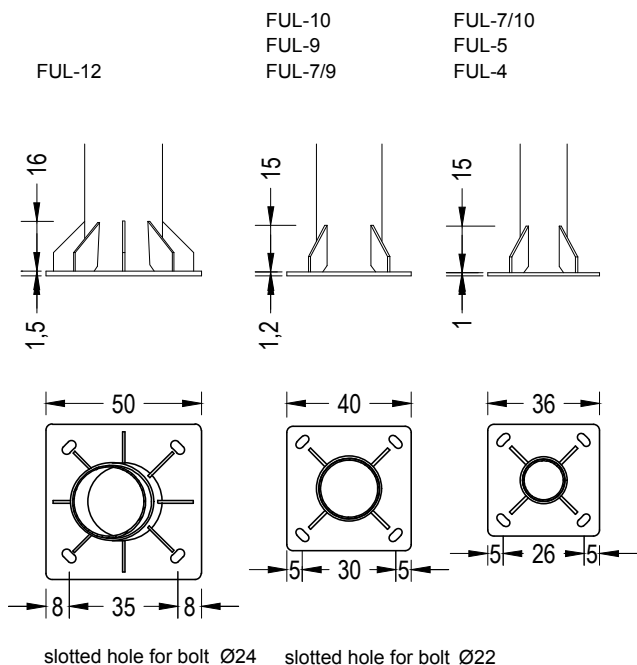
**B.** Galvanized and powder-coated, RAL or cor-ten effect



**C.** Cor-ten

<b>Post regulations</b>	Galvanized. UNE-EN 40-5:2002 Cor-ten. No regulation associated.	<b>Reinforcement</b>	Bottom ring, 6-mm thick.
-------------------------	--	----------------------	--------------------------

1.4 Details

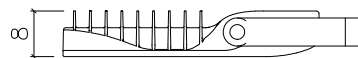
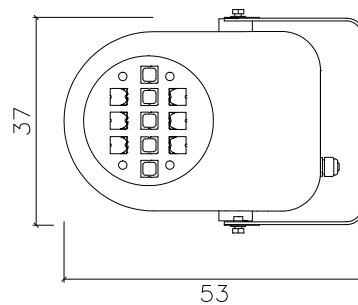
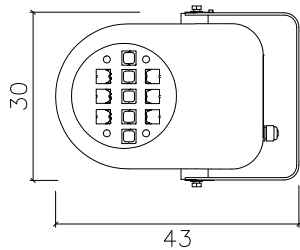
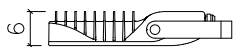
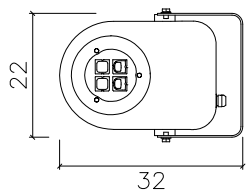


Inspection hatch and lock with triangular tube key

	FUL-12	FUL-10	FUL-9	FUL-7\10	FUL-7\9	FUL-5	FUL-4
columns	H=12 m	H=10 m	H=9 m	H=7 m	H=7 m	H=5 m	H=4 m
∅ SUP	88 mm	77 mm	77 mm	77 mm	77 mm	77 mm	77 mm
∅ INF	240 mm	200 mm	200 mm	165 mm	200 mm	142 mm	142 mm
inspection hatch	2	2	2	2	2	1	1
P	400 mm	400 mm	400 mm	400 mm	400 mm	300 mm	300 mm
M	100 mm	100 mm	100 mm	100 mm	100 mm	85 mm	85 mm

## 2. Lighting

### Recommended floodlights



#### Cripto S Disano

31W

#### Cripto M Disano

86W

#### Cripto L Disano

125 - 196W

	FUL-12	FUL-10	FUL-9	FUL-7\10	FUL-7\9	FUL-5	FUL-4
projectors	4	3 6 5	3	3	3	2	1
n° rótulas	4	3 6 5	3	3	3	2	1



The names, trade marks and industrial models of the products have been deposited in the corresponding registries. The technical information provided by Escofet about its products may be modified without prior notice.

Escofet 1886 S.A  
Central office and production

Montserrat, 162  
E 08760 Martorell  
Barcelona - España  
T. 0034 937 737 150  
F. 0034 937 737 151

info@escofet.com  
www.escofet.com



GA-2005/0072 SST-0090/2010 ER-0403/2016