

Laurel & Hardy is the result of a combination of a litter bin and ashtray in the form of two cylinders with different radii, for indoor or outdoor installation.

Concrete | Ø 48 cm/max | 240 kg | 70 L

🔄 Update 15.02.2021



LAUREL & HARDY

Miguel Milá + Gonzalo Milá 2008

Escofet®

Origin

The comedy duo from the American post-war film era give their name to a combination of a slim ashtray and a larger litter bin, in a clear reference to the physical contrast between both actors.

Design

Both elements have a large capacity and can be installed in spaces for intensive use, both indoors and outdoors. The litter bin has a plastic bag fixed by an articulated stainless steel ring to the hinge of the lid, while the ashtray container is detachable and has an articulated part that allows its content to be emptied into the bin without becoming detached from the whole.

Material

Moulded concrete with an etched and waterproofed finish and in the *Escofet* catalogue standard chart colour. Forge Black, Textured Silver or Cor-ten effect coated finish cast aluminium lids and accessories.

Installation

Both cylinders are attached to each other by two screw pins. Both *Laurel and Hardy* have an anchor to fix them to the paving, but the *Hardy* bin can be installed so that it is self-standing.





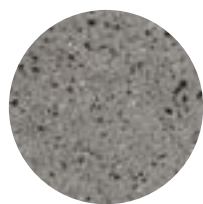
1. Litter bin

Laurel & Hardy	Hardy	Laurel & Hardy
Dimensions	Ø48 x 88.5 cm	65 x 48 x 96 cm
Weight	210 kg	240 kg
Capacity	70 L	70 L

1.1 General features

Material	Reinforced concrete	Fixing	Anchored with screws
Finish	Etched and waterproofed		
Lid	Cast aluminium		
Finish	Coated finish. Category of atmospheric corrosivity C5 according to UNE EN ISO 12944-2.		

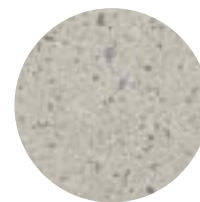
Colours



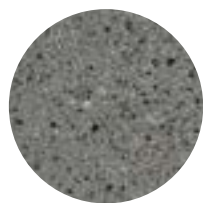
GR. Grey



NG. Black



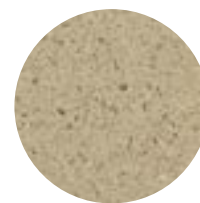
BL. White



CA. Grey CA



RA. Red



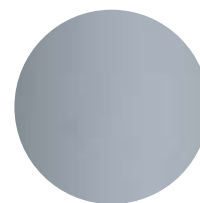
BG. Beige



A. Forge Black aluminium



B. Cor-ten effet aluminium



C. Textured Silver aluminium

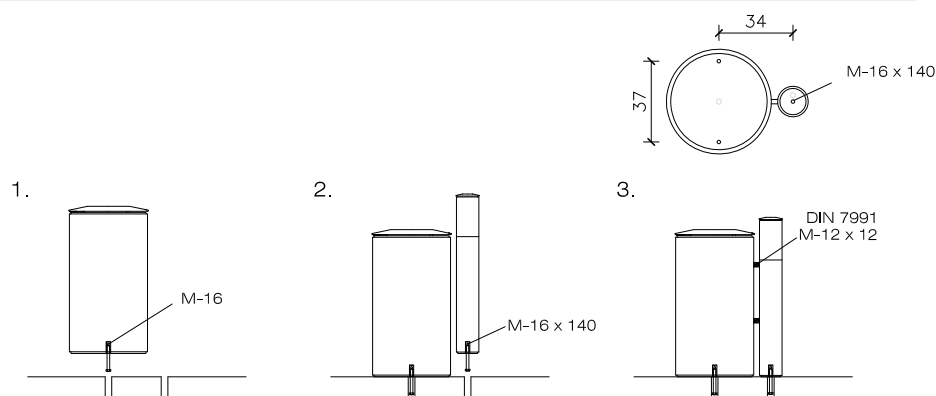
1.2 Installation system

Hoisting

(W=210 kg / 240 kg)

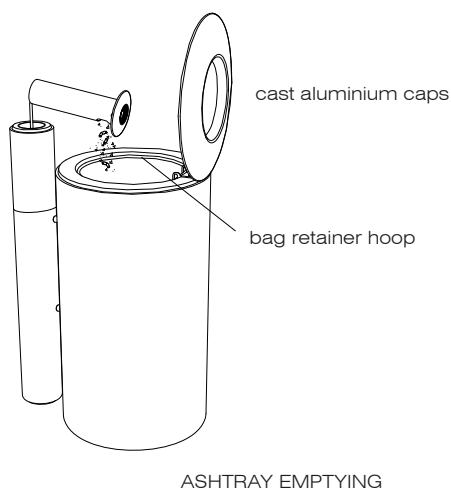
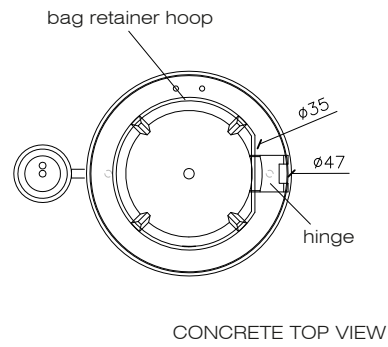
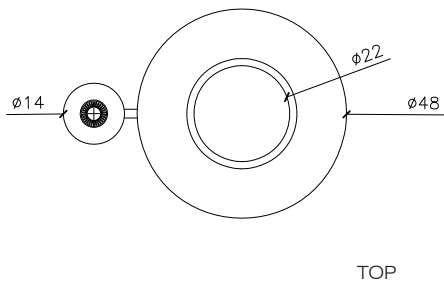
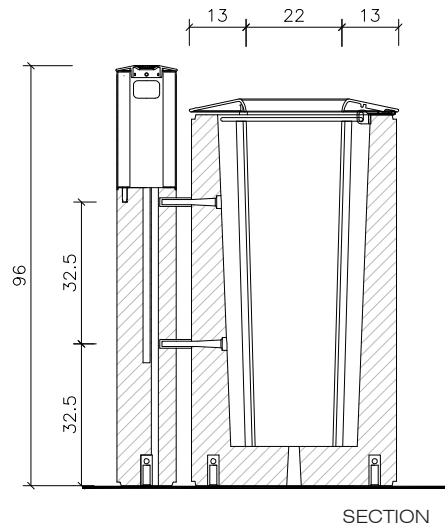
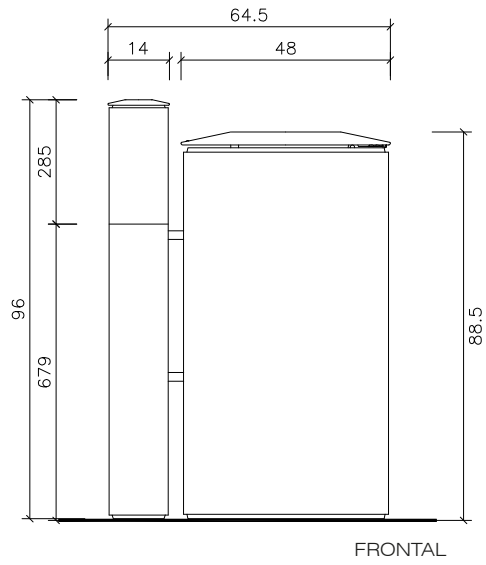
Installation

Tightly screw the 3 stud bolts M-16 x 140. Drill pavement (Ø 40 x 180) and fill with resin or fat mortar. Center and caulk.



1.3 Geometry

Laurel & Hardy



LAUREL & HARDY

Escofet®



Warranty

5 years in concrete elements.

The names, trade marks and industrial models of the products have been deposited in the corresponding registries. The technical information provided by Escofet about its products may be modified without prior notice.

Escofet 1886 S.A
Head office and production

Montserrat, 162
E 08760 Martorell
Barcelona - España
T. 0034 937 737 150
F. 0034 937 737 151

info@escofet.com
www.escofet.com

