

**CARACTERÍSTICAS / CHARACTERISTICS**

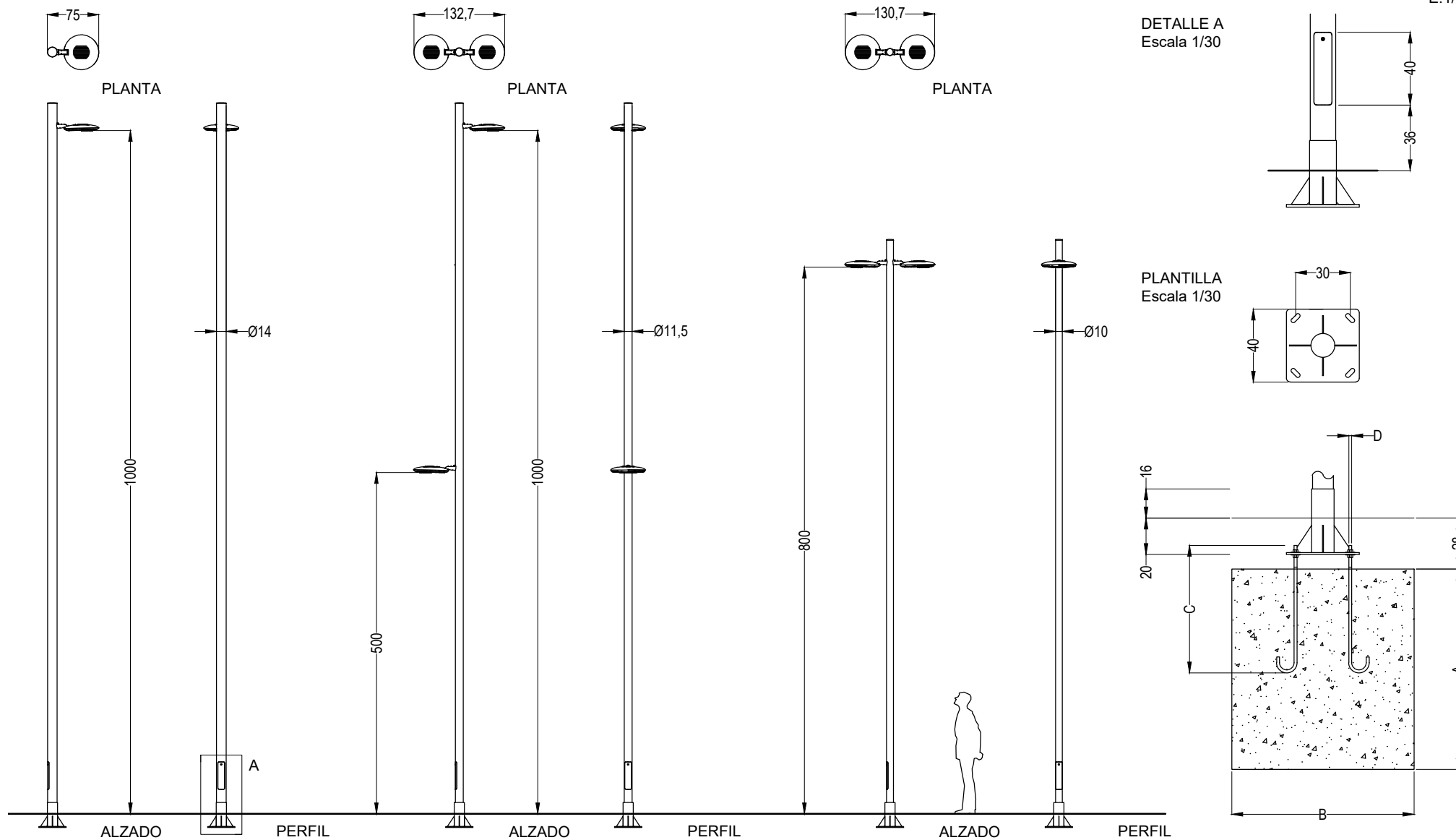
**COLUMNA** acero (e=5mm)  
**ACABADO** a. galvanizado  
 b. galvanizado y pintado color RAL 9006  
**LUMINARIA** fundición de aluminio  
**ACABADO** anodizado plata mate  
**COLOC.** anclado mediante placa base y cuatro pernos  
**PESO** 4m: 100 kg / 5m: 118 kg / 6m: 136 kg / 7m: 154 kg /  
 8m: 172 kg / 9m: 190 kg / 10m: 210 kg

**POLE** steel (e=5mm)  
**FINISH** a. galvanized  
 b. galvanized and coated in RAL 9006  
**LIGHTING** cast aluminium  
**FINISH** silver anodized  
**FIXING** anchored with a base plate and four threaded bolts  
**WEIGHT** 4m: 100 kg / 5m: 118 kg / 6m: 136 kg / 7m: 154 kg /  
 8m: 172 kg / 9m: 190 kg / 10m: 210 kg

**GEOMETRÍA / GEOMETRY**

Update 03/05/2021  
 Cotas / Sizes cm

E:1/80



# CARACTERÍSTICAS / CHARACTERISTICS

**COLUMNA** acero (e=5mm)  
**ACABADO** a. galvanizado  
 b. galvanizado y pintado color RAL 9006  
**LUMINARIA** fundición de aluminio  
**ACABADO** anodizado plata mate  
**COLOC.** anclado mediante placa base y cuatro pernos  
**PESO** 4m: 100 kg / 5m: 118 kg / 6m: 136 kg / 7m: 154 kg /  
 8m: 172 kg / 9m: 190 kg / 10m: 210 kg

**POLE** steel (e=5mm)  
**FINISH** a. galvanized  
 b. galvanized and coated in RAL 9006  
**LIGHTING** cast aluminium  
**FINISH** silver anodized  
**FIXING** anchored with a base plate and four threaded bolts  
**WEIGHT** 4m: 100 kg / 5m: 118 kg / 6m: 136 kg / 7m: 154 kg /  
 8m: 172 kg / 9m: 190 kg / 10m: 210 kg

# GEOMETRÍA / GEOMETRY

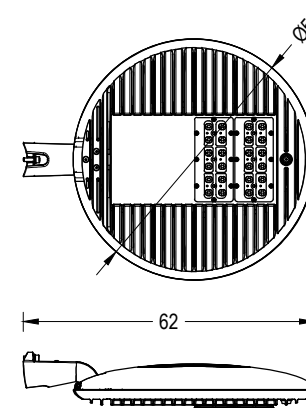
Update 03/05/2021  
 Cotas / Sizes cm

E:1/300

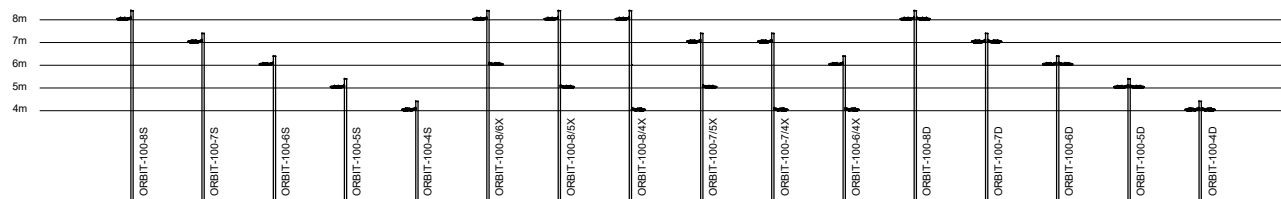
| Altura Height | Columna Pole | A     | B     | C    | D   |
|---------------|--------------|-------|-------|------|-----|
| 10-4m         | Ø140mm       | 110cm | 100cm | 70cm | M22 |
| 10-4m         | Ø115mm       | 110cm | 100cm | 70cm | M22 |
| 8-4m          | Ø100mm       | 110cm | 100cm | 70cm | M22 |

Distribución módulo LED  
**LED Module distribution**  
 25W (1)  
 50W (1 + 2)  
 75W (1 + 2 + 3)  
 100W (1 + 2 + 3 + 4)

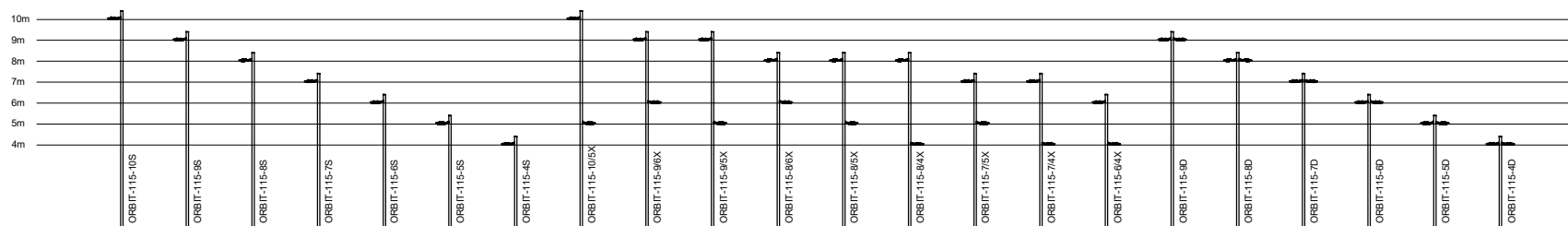
SMALL 31W  
 Escala 1/16



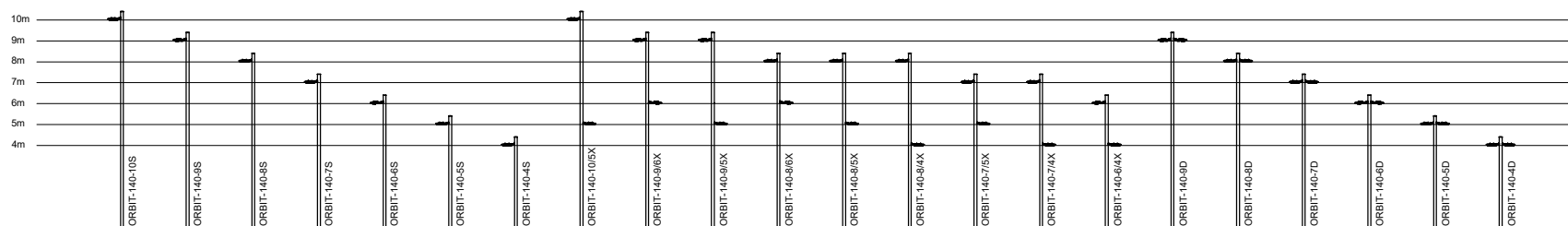
Columna Ø100



Columna Ø115



Columna Ø140



Fijación lira  
 Tornillo inox DIN933 M10x25

PENTAGRAMA  
 Escala 1/300