




Starfish is a revamp of the *Flor* backless bench, in a new material. Unlike its concrete predecessor, which includes two combinable formats, the new plastic version has a single model whose biomorphic, radial design allows for flexible, grouped or individual use. This version is highlighted due to its lightness -weighing only 56 kg- and the possibility of incorporating a white LED lighting kit.

Polyethylene HDPE |  185 cm |  56 kg |  6

Add-ons: LED

 Update 28.07.2021



Origin

The review of the *Flor* bench concept by Emilio Tuñón in order to create *Starfish* is based on a star-shaped structure with five arms that rest on five short legs at their ends. Patrick Star, the cheerful cartoon figure and inseparable companion of SpongeBob, plays a prominent role in the design of this luminous and enigmatic object.

Recycled and recyclable

Product made from a percentage of recycled material, variable according to color. It is monomaterial, which facilitates its recycling, and consequently it is an environmentally sustainable product.

Non-porous

The peculiarity of non-porous HDPE material means that its surface is easy to wash with pressurised water and a degreasing detergent that contains surfactants. It is disinfected with a hydro-alcoholic solution.

Material

Made with rotational-moulded, white translucent or standard color chart high polyethylene resins (HDPE). With a threaded inspection chamber cover permitting access to the interior.

Installation

Can be installed on the paving, and anchored, if required, using two optional stainless steel trim systems: fixed and invisible, or exposed and detachable.



STARFISH



Escofet®

1. Backless bench

Starfish

Dimensions 185 x 170 x 45 cm

Weight 56 kg

Lighting 5 LED profiles, 57 white colour t° 5000k

1.1 General features

Material Polyethylene HDPE **Fixing** Free-standing / Anchored

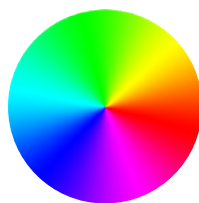
Finish Micro-textured

Flame retardant Available with flame retardant treatment, according to UL 94 Classification V0. Color may vary due to additives.

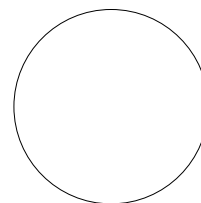
Colours



RBN. White



Colort chart standard



Optional color according to project

1.2 Installation system

Hoisting

(W=56 kg)

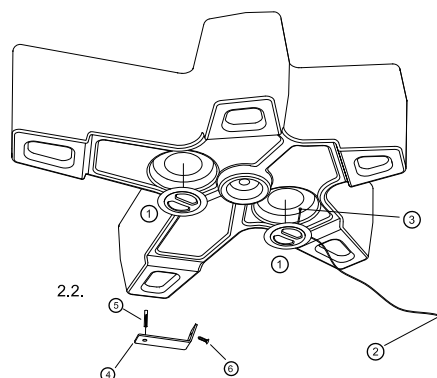
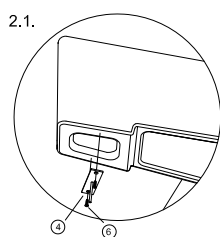
Installation

Optional sand ballast to increase the weight.

2.1. Seen and Removable. Drill the pavement and place the staples using expandable blocks.

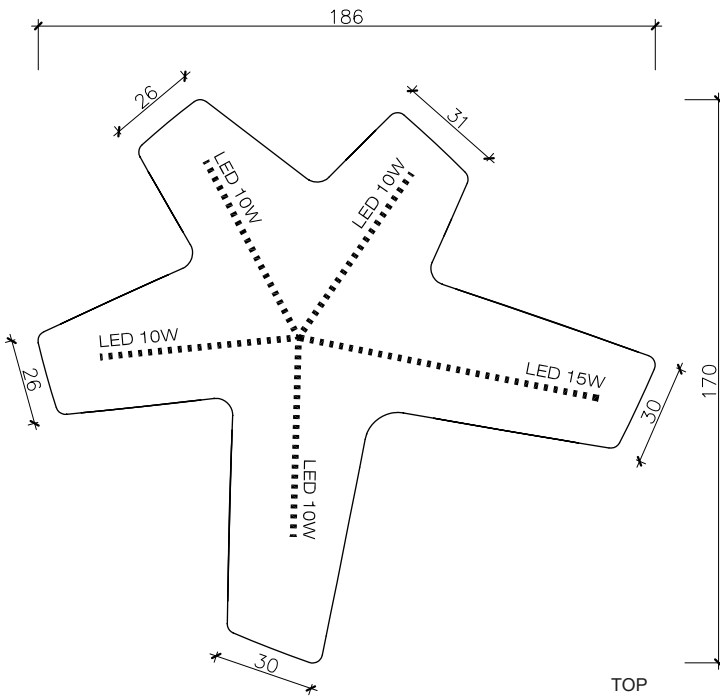
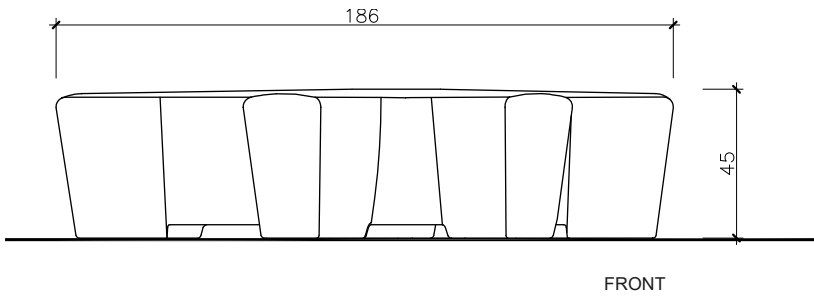
Position and fix using Spax 8x40 screws.

2.2. Hidden and Fixed Drill the pavement and fill with resin or rich mortar.

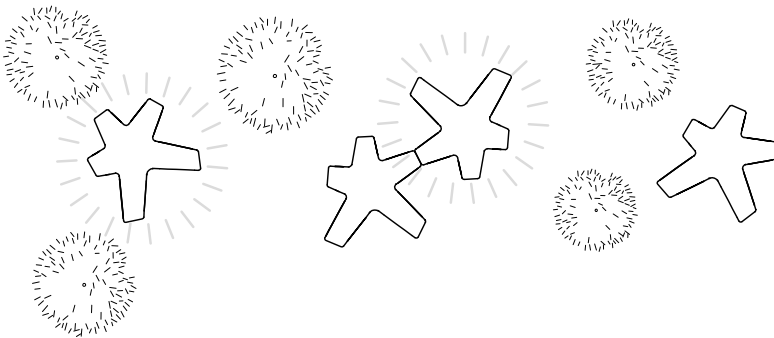


- ① threaded inspection hatch
- ② service lead
- ③ cable gland
- ④ stainless steel anchorage
- ⑤ 3 drop in anchors
- ⑥ 3 8x40 Spax-s screws

Starfish



Aggregation





The names, trademarks and industrial models of the products have been logged in the corresponding registers. The technical information provided by Escofet about its products can be modified without prior notice.

Escofet 1886 S.A
Head office and production

Montserrat, 162
E 08760 Martorell
Barcelona - España
T. 0034 937 737 150
F. 0034 937 737 151

info@escofet.com
www.escofet.com



GA-2005/0072 SST-0090/2010 ER-0403/2016