

Stul is a functional stool for sitting on or that inspires jumping games. It is ideal for green areas and children's playgrounds. It can also be used as a pylon with a swivel seat on private terraces or in indoor areas such as libraries or other institutions. It stands out for its lightness and wide color palette.

Polyethylene HDPE | Ø 60 cm | ⚖ 12 kg | 🪑 1

🔄 Update 09.12.2021



Origin

Stul apperars to fill the need for a lightweight stool that can be combined with the rest of Air Collection.

Modular

Stul is a versatile stool and can be installed in multiple contexts. As a stool around a table, combined in groupings and even as a seat in children's play areas.

Recycled and recyclable

It is monomaterial and 100% recyclable. The option in black color is 100% recycled, and consequently it is an environmentally sustainable product.

Non-porous

The peculiarity of non-porous HDPE material means that its surface is easy to wash with pressurised water and a degreasing detergent that contains surfactants. It is disinfected with a hydro-alcoholic solution.

Material

Made with rotomolded HDPE polyethylene, it's available in a wide variety of colors. With a threaded inspection chamber cover permitting access to the interior.

Installation

Anchoring it with screws recessed in the paving and fastened with resin.



STUHL



Escofet®

STUHL



Escofet[®]

STUJL



Escofet®

STUJL



Escofet[®]

STUJL



Escofet[®]

1. Stool

Stul

Dimensions Ø60 x 45 cm

Weight 12 kg

1.1 General features

Material	Polyethylene HDPE	Fixing	Free-standing / Anchored
-----------------	-------------------	---------------	--------------------------

Finish	Smooth texture	Performance	UV resistance and outdoors
---------------	----------------	--------------------	----------------------------

Flame retardant Complies with the regulations euroclasses UNE-EN 13501-1:2019, classified as "E" in relation to its reaction to fire behavior.

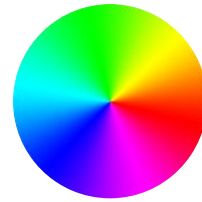
Colours



RBN. White



RNG. Black
100% recycled



Color chart standard *

* Optional colour according to project

1.2 Installation system

Hoisting
(W=10 kg)

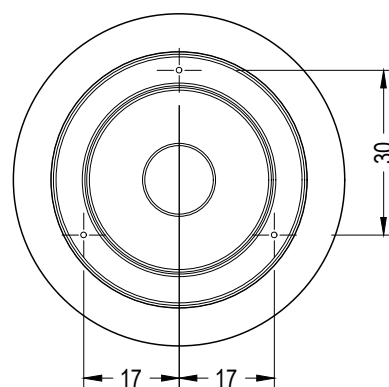
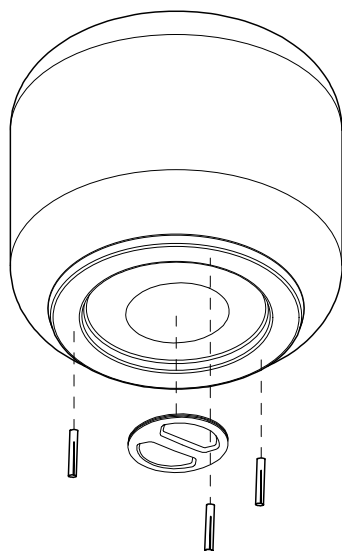
Installation

Optional sand ballast to increase the weight.

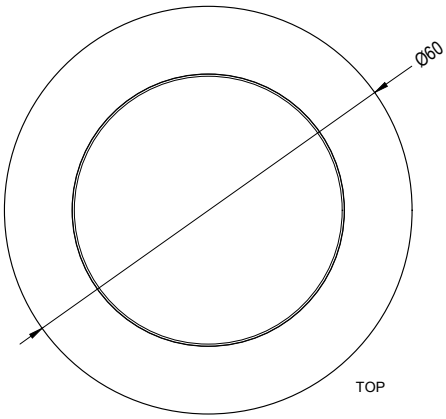
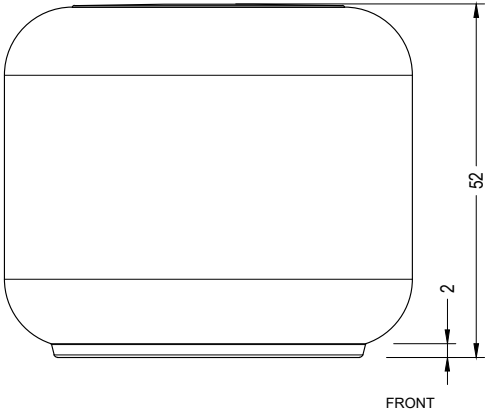
1. INDOOR
Free standing

2. OUTDOOR

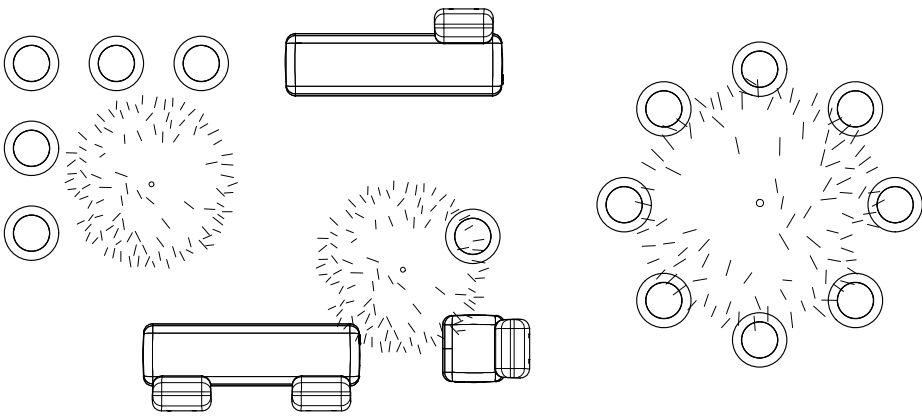
Hidden and Fixed: Drill pavement, screw 3 screws M10 and fill with resin or fat mortar and place the stool.



Stul



Agregation





The names, trademarks and industrial models of the products have been logged in the corresponding registers. The technical information provided by Escofet about its products can be modified without prior notice.

Escofet 1886 S.A
Head office and production

Montserrat, 162
E 08760 Martorell
Barcelona - España
T. 0034 937 737 150
F. 0034 937 737 151

info@escofet.com
www.escofet.com



GA-2005/0072 SST-0090/2010 ER-0403/2016