

The *Boulevard* litter bin is an eminently urban element with a simplified production process, formalised as a cylinder supported by a thin tube with a rectangular cross section. It embraces the body with two generatrices, in a “U” shape, which, in turn, serves as a support structure to anchor it to the paving.

Steel | Ø 41 cm | 22 kg | 60 L

🔄 Update 06.04.2022



Origin

Boulevard was created as the result of a formal simplification and optimisation of production costs in designing the Gruss litter bin, a previous and much appreciated design by the same author.

Material

Slotted support and body in zinc plated steel with a thickness of 2mm. Textured Silver, Forge Black or Corten effect coated finish.

Installation

The model is designed to be anchored to the paving with three metal Fisher SXR 10X80 FUS expansion plugs. A2 stainless steel screws.





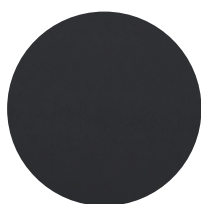
1. Litter bins

Boulevard	Lisa	Ranurada
Dimensions	Ø41 x 76 cm	Ø41 x 76 cm
Weight	22 kg	21,5 kg
Capacity	60 L	60 L

1.1 General features

Body	Zinc plated steel	Fixing	Anchored with expansion bolts
Finish	Forge Black, Textured Silver or Cor-ten effect coated finish. Category of atmospheric corrosivity C5 according to UNE EN ISO 12944-2.		

Colours



A. Forge Black steel



B. Textured Silver steel



C. Cor-ten effect steel

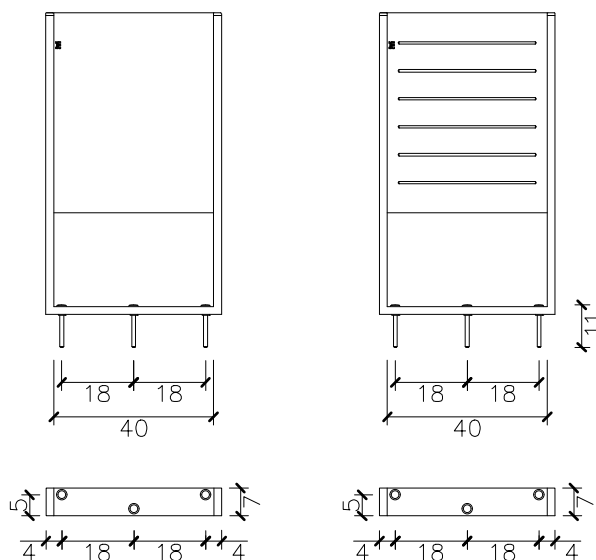
1.2 Installation system

Hoisting

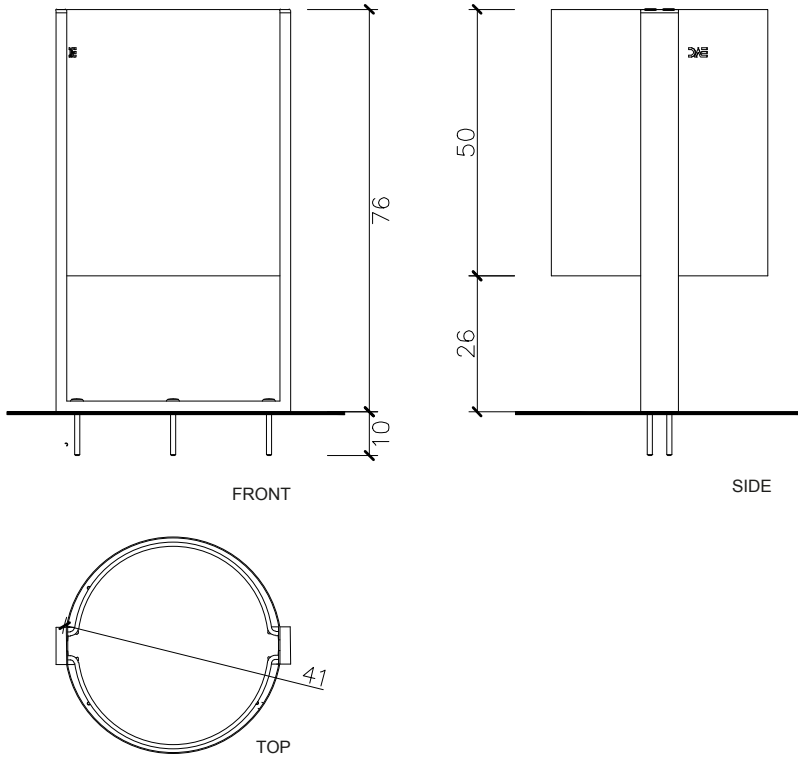
(W= 22 / 21,5 kg)

Installation

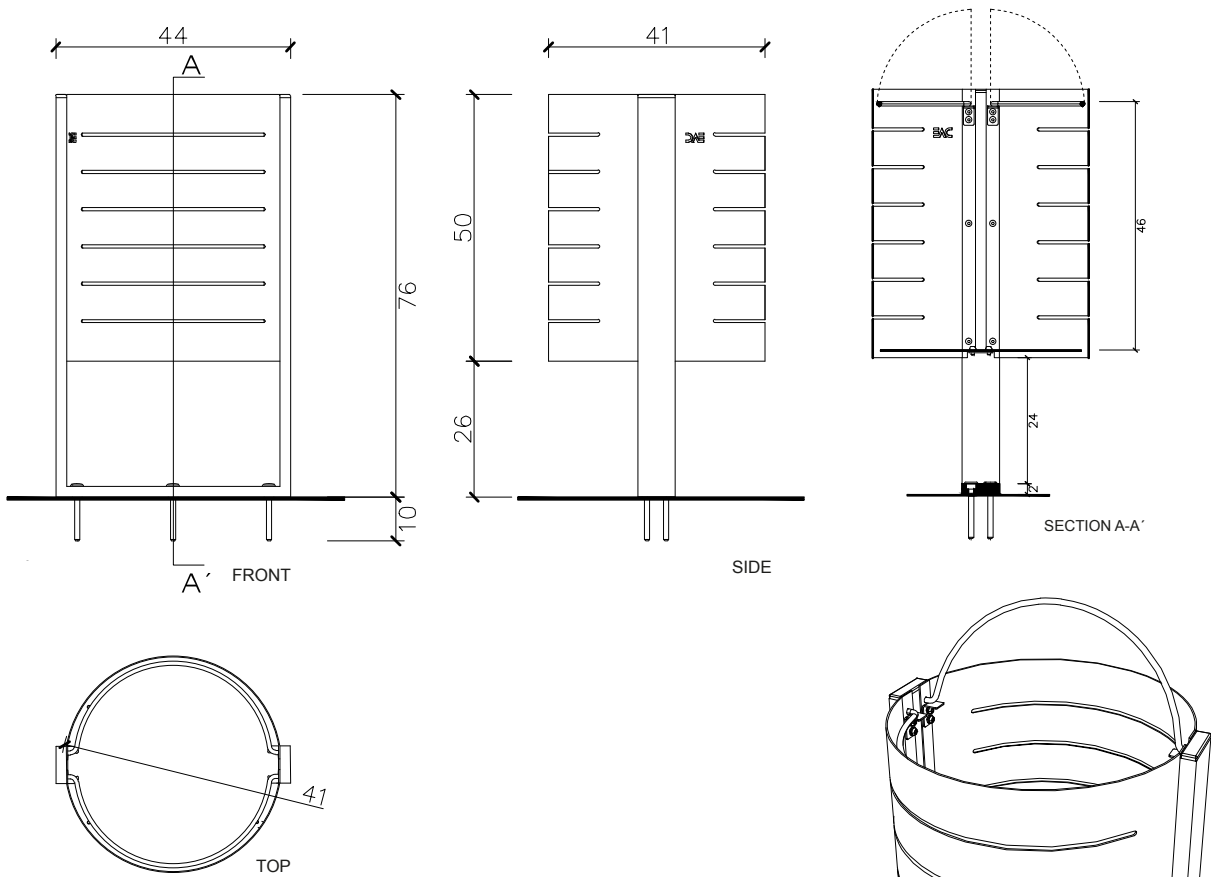
Tightly screw the 3 stud bolts Fisher SXR 10x80 FUS. Drill pavement (Ø 12 mm) and fill with resin. Center and caulk the bench foot all around.



Boulevard Lisa



Boulevard Ranurada





The names, trademarks and industrial models of the products have been logged in the corresponding registers. The technical information provided by Escofet about its products can be modified without prior notice.

Escofet 1886 S.A
Head office and production

Montserrat, 162
E 08760 Martorell
Barcelona - España
T. 0034 937 737 150
F. 0034 937 737 151

info@escofet.com
www.escofet.com



GA-2005/0072 SST-0090/2010 ER-0403/2016