

ESFERA

ESFERA is a collection of large plant pots designed to contain trees or large shrubs in public areas. Their spherical shape permits the creation of dynamic, fluid, organic configurations that are reminiscent of the seed or fruit clusters so often found in nature. The possibilities of creating chain-like formations add great versatility in terms of arrangement, with a wide range of shapes and sizes.

Concrete | Ø 200 cm/max. | 🏗️ 2214 kg | 🪴 2455 L | 💧

🔄 Update 14.01.2026



emiliana design studio 2016

escofet
by Molins^o

ORIGIN

The planter collection ESFERA is the overwhelming response of emiliana design studio to an Escofet's petition. They were manufactured for the first time for the urbanization of The Style Outlets outer space in Viladecans.

MODULAR

The M-AG and L-AG models, with diameters of 1.60 m and 2 m respectively, are defined by their faceted sides, which allow the planters to be combined by placing them together to create alignments, islands, or vegetative boundaries according to the needs of the project. The standalone M and S models, without faceting, complete the collection.

VERSATILITY

The faceting on the sides of the planters allows them to be positioned against walls or in corners. The S planter has a diameter of 1.30 m, which pairs perfectly with the M model at 1.60 m. The M model is the only one that can be produced either with or without faceting in its geometry.

MATERIAL

Moulded concrete, reinforced with stainless steel, with a etched finish and in the Escofet catalogue standard chart colour. Inner water-proofing coating breathable and flexible.

INSTALLATION

Self-standing, it does not require anchoring for installation. Drainage occurs through the open bottom of the spheres and through the free joint at the support area. All M and L models can be fitted with a lid to close the bottom of the planter.



ESFERA



1. Planter

Esfera	S - 290 L	M - 1245 L	M - AG - 1245 L	L - AG - 2455 L
Dimensions	Ø130 x 101 cm	Ø160 x 133 cm	Ø160 x 133 cm	Ø200 x 145 cm
Weight	1671 kg	1620 kg	1620 kg	2214 kg
Capacity	290 L	1240 L	1240 L	2455 L

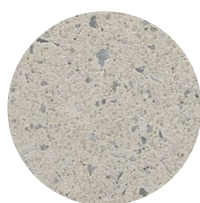
1.1 General features

Material	Reinforced concrete	Fixing	Free-standing
Finish	Etched and waterproofed		
Waterproofing	Inner breathable and flexible coating		

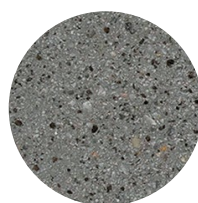
Colours



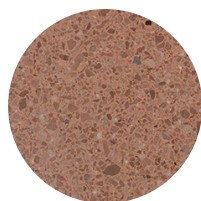
GR. Grey



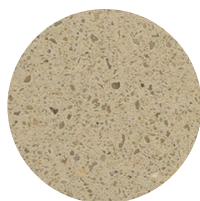
BL. White



CA. CA Grey



RA. Red

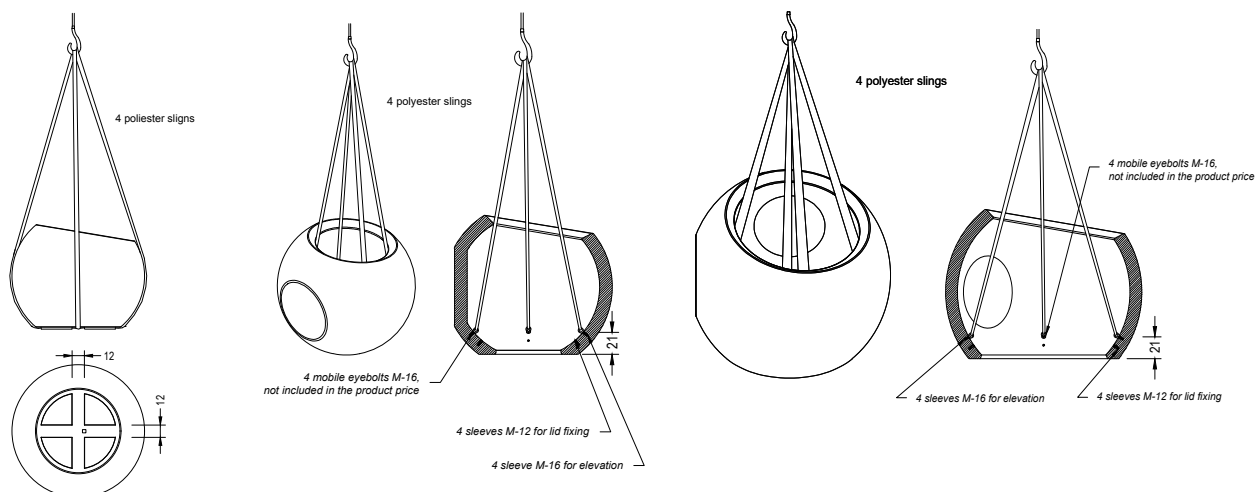


BG. Beige

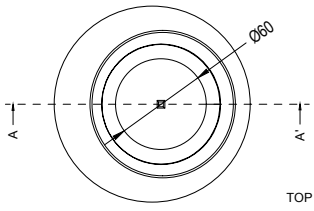
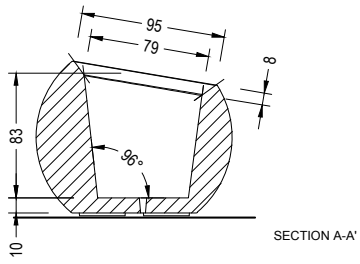
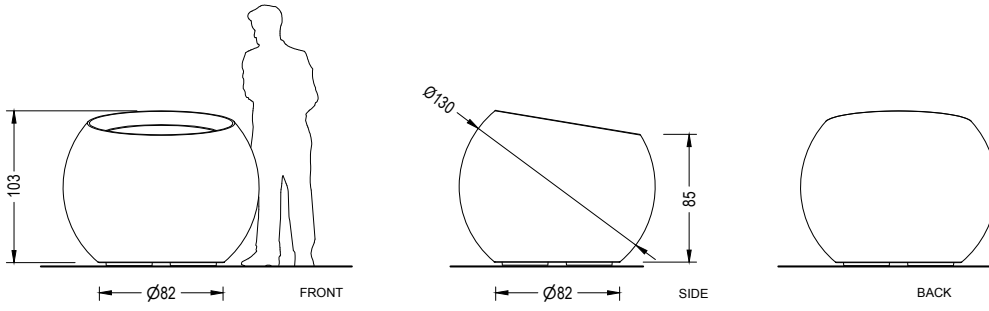
1.2 Installation system

Hoisting

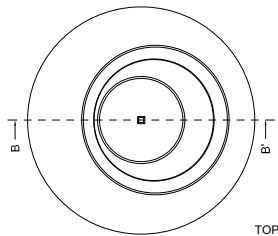
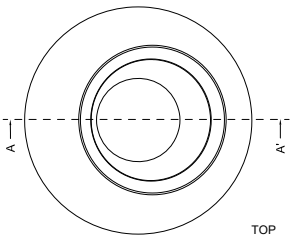
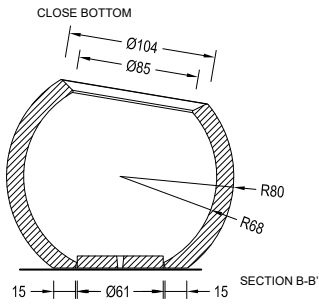
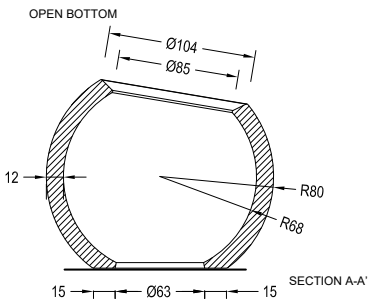
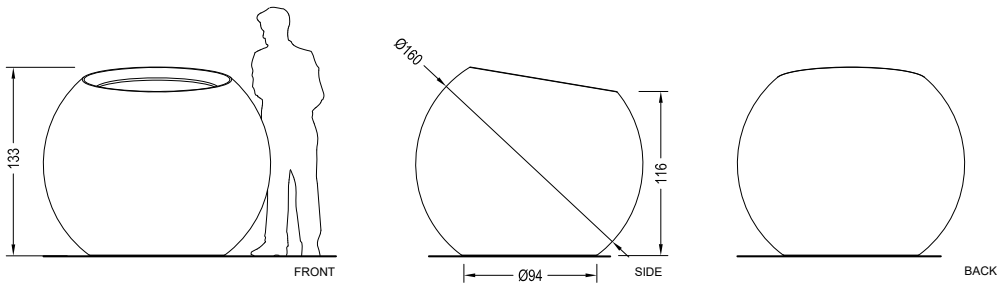
(W=1671 kg / 1620 kg / 1692 kg / 2212 kg / 2476 kg)



Esfera S - 290 L

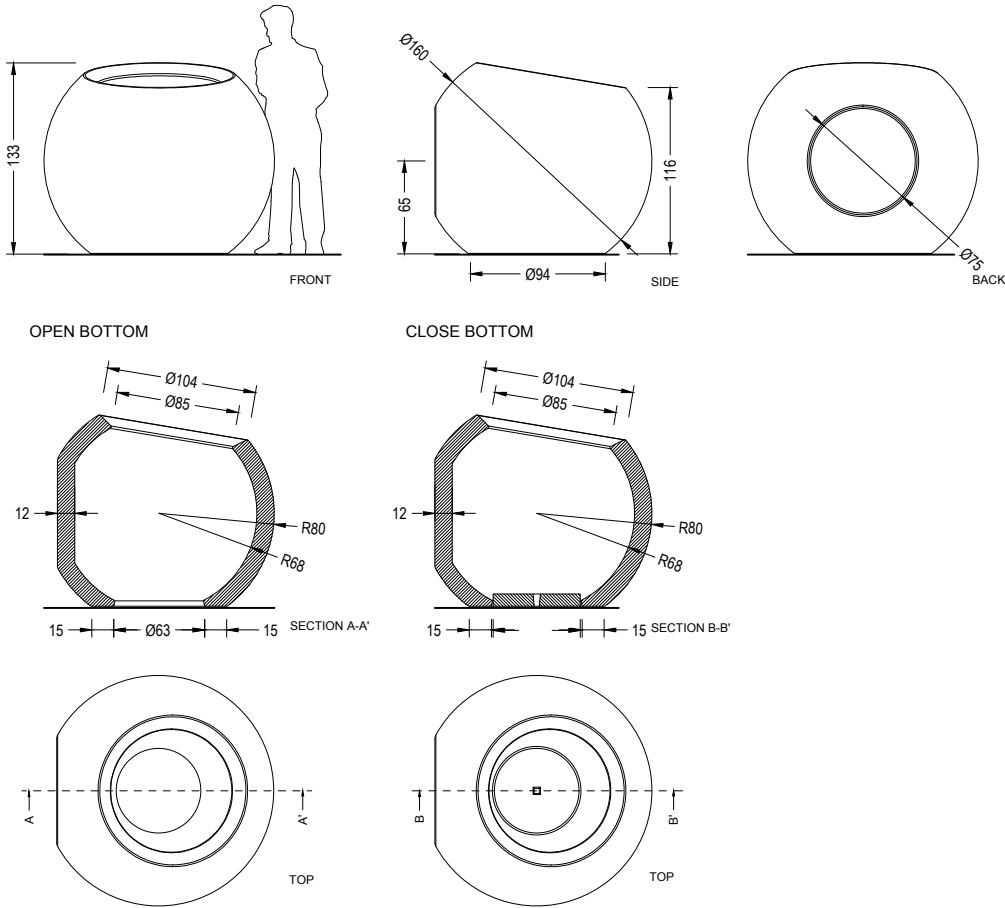


Esfera M - 1240 L

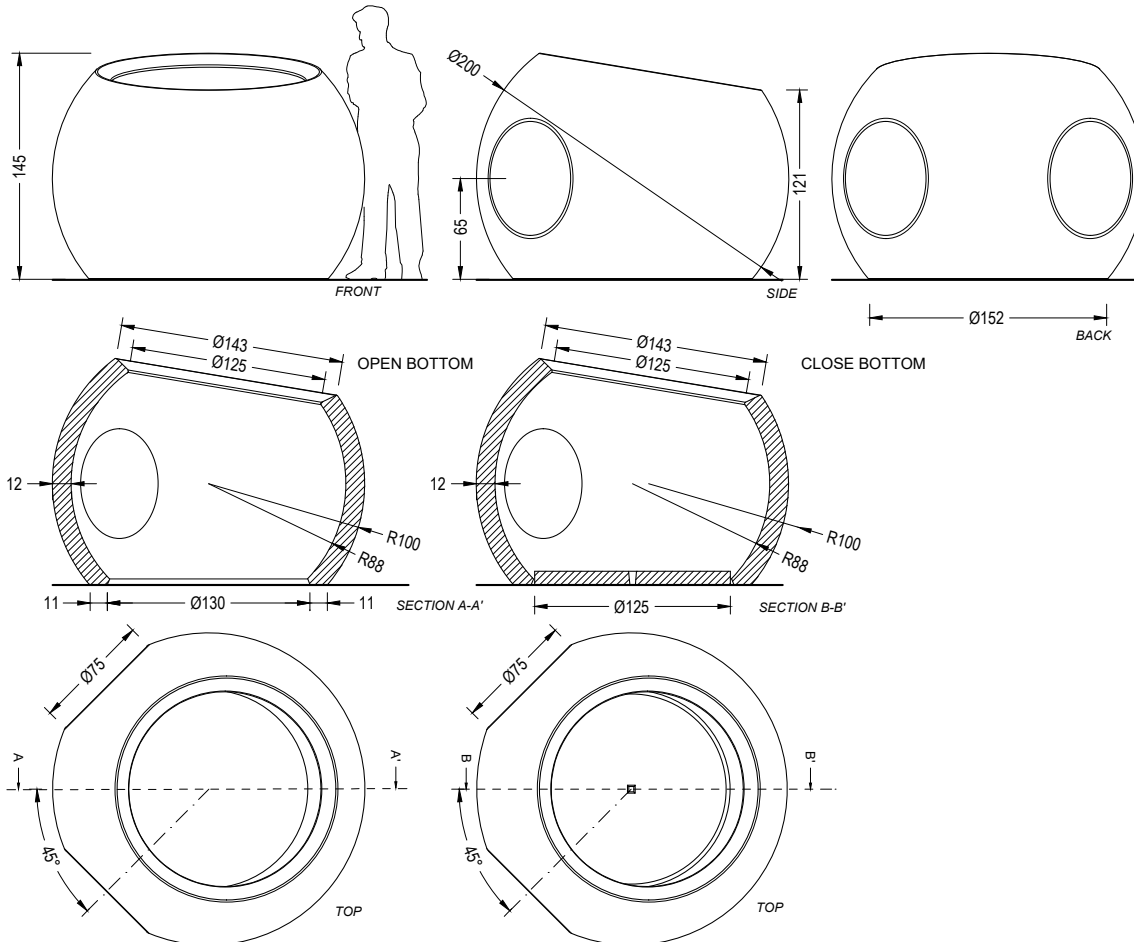


1.3 Geometry

Esfera M - AG - 2455 L



Esfera L - AG - 2455 L



ESFERA



ESFERA





Warranty

5 years in concrete elements.

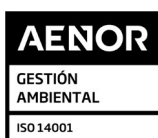
The names, trademarks and industrial models of the products have been logged in the corresponding registers. The technical information provided by Escofet about its products can be modified without prior notice.

Escofet 1886 S.A
Head office and production

Montserrat, 162
E 08760 Martorell
Barcelona - España
T. 0034 937 737 150
F. 0034 937 737 151

info@escofet.com
www.escofet.com

Escofet
by Molins[®]



GA-2005/0072



SST-0090/2010



ER-0403/2016

