


The CALA fountain is an item of urban equipment that combines material innovation and universal accessibility from its conception. Its design responds to the need to provide inclusive, independent, and safe use, integrating naturally into the contemporary public space.

UHPC |  113 cm/max. |  125 kg

 Update 23.04.2026



CALA

Escofet_Lab

2026

Escofet
by Molins[®]

ORIGIN

CALA emerges as an evolution of the traditional urban fountain, conceived from the outset to ensure accessible and inclusive use. Its design integrates the universal accessibility criteria, resolving them directly through its geometry and user interaction system, without the need for added solutions.

DESIGN

The fountain is conceived as a monolithic piece of reinforced UHPC concrete that integrates all pipework within a single, compact and continuous volume. Its organic geometry rises and opens into two semi-cylindrical arms that house the water outlets. Two stainless steel dispensing points with integrated push-buttons are positioned at different heights. A central basin collects the water and directs it to the drain, with rounded transitions that enhance safety.

FUNCTION

The water outlets, based on standard components, are fixed with anti-vandal screws and anchored to cylindrical protrusions that ensure precise positioning. The integrated push-button allows low-force operation and

enables quick replacement during maintenance. The drain cover, with an elliptical geometry, flushes with the concrete surface. The stainless-steel trims, with a shot-blasted finish, incorporate radial perforations that facilitate water drainage.

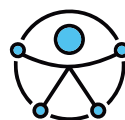
MATERIAL

Prefabricated monolithic element in UH-PC-Slimconcrete, reinforced with stainless steel, incorporating integrated internal pipework for water supply. The material offers high mechanical strength, low absorption, and strong durability against environmental exposure. Etched finish and water-repellent treatment, with soft polishing on the basin. Available in grey and beige.

INSTALLATION

Recessed installation 15 cm below finished ground level, with a total usable height of 113 cm. Fixed to a foundation base measuring 60 × 60 × 40 cm. Requires an inspection chamber for shut-off valve and pressure regulator, as well as an independent drainage system.





*Universal Accessibility.
Inclusive Design.*



CALA



CALA



1. Fountain

CALA

Dimensions 133 x 74 x 37 cm

Weight 125 kg

1.1 General features

Base UHPC **Fixing** Embedded in the pavement and bolted

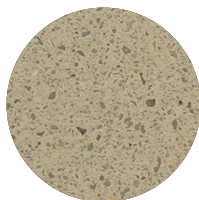
Finish Etched and waterproofed **Button** Polished stainless steel

Accessories Stainless steel with shot-blasted finish

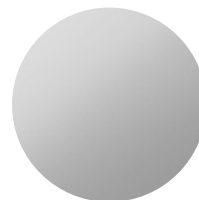
Colours



UHPC GR. Grey



UHPC GR. Beige

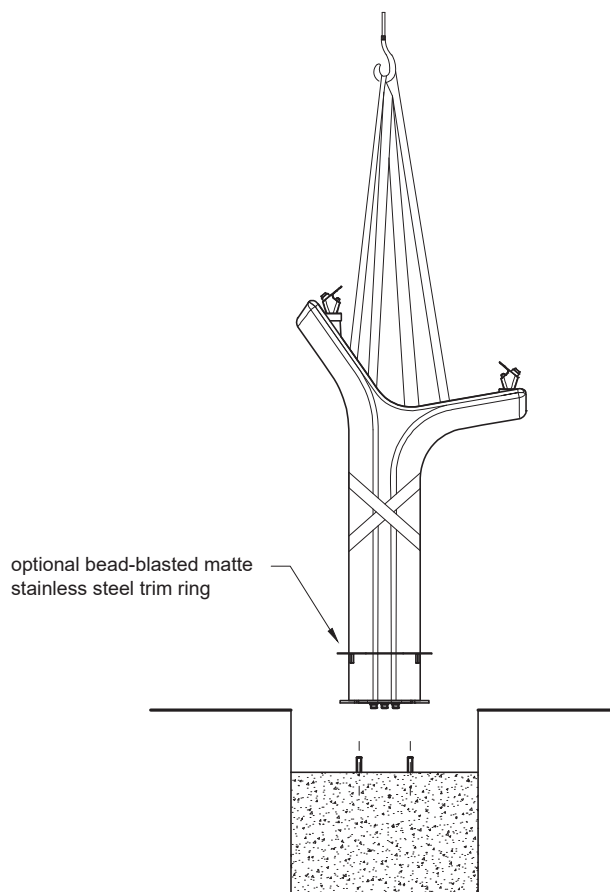


A. Stainless steel. AISI 316

1.2 Installation system

Hoisting

(P=125kg)
Lifting with polyester slings.

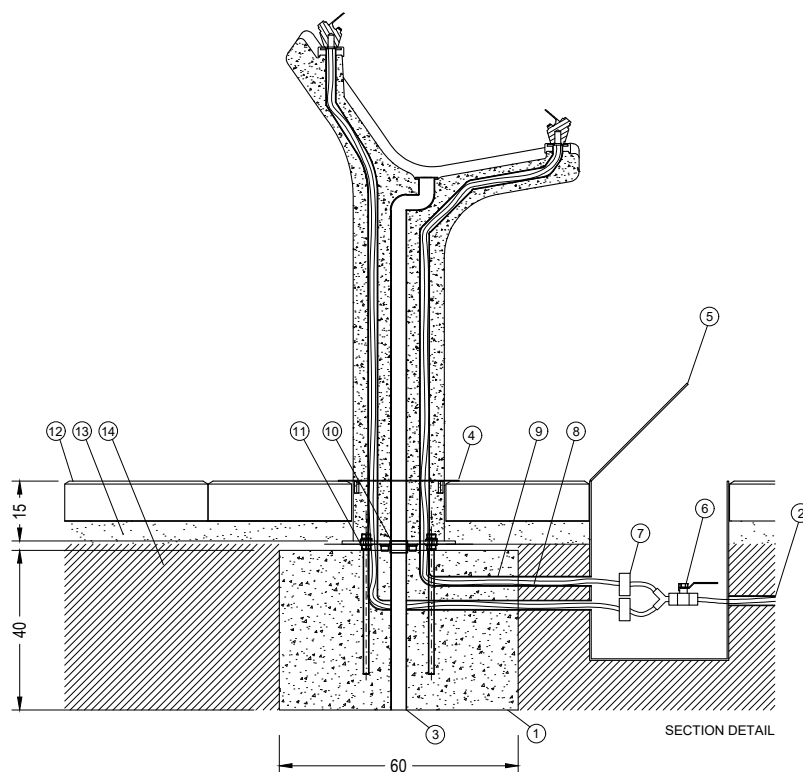


Installation

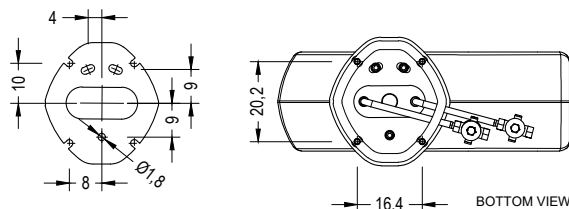
Prepare the water supply and drainage connections for the installation of the fountain. Construct a concrete footing measuring 60 x 60 x 40 cm, ensuring that the fountain column is embedded 15 cm into the footing. Place the four reinforcing rods according to the specified template, leaving 5 cm exposed above the footing.

It has 2 flexible hoses of 1.7 m in length; it is recommended to install the inspection chamber near the water source.

- ① concrete basement
- ② water supply
- ③ water outlet
- ④ optional bead-blasted matte stainless steel trim ring
- ⑤ inspection chamber
- ⑥ stop-cock
- ⑦ pressure regulator
- ⑧ flexible hoses
- ⑨ PVC Pipe
- ⑩ 1-inch sleeve
- ⑪ anchoring base plate with 4 M14 x 450 threaded rods
- ⑫ cobble
- ⑬ sand
- ⑭ compacted soil

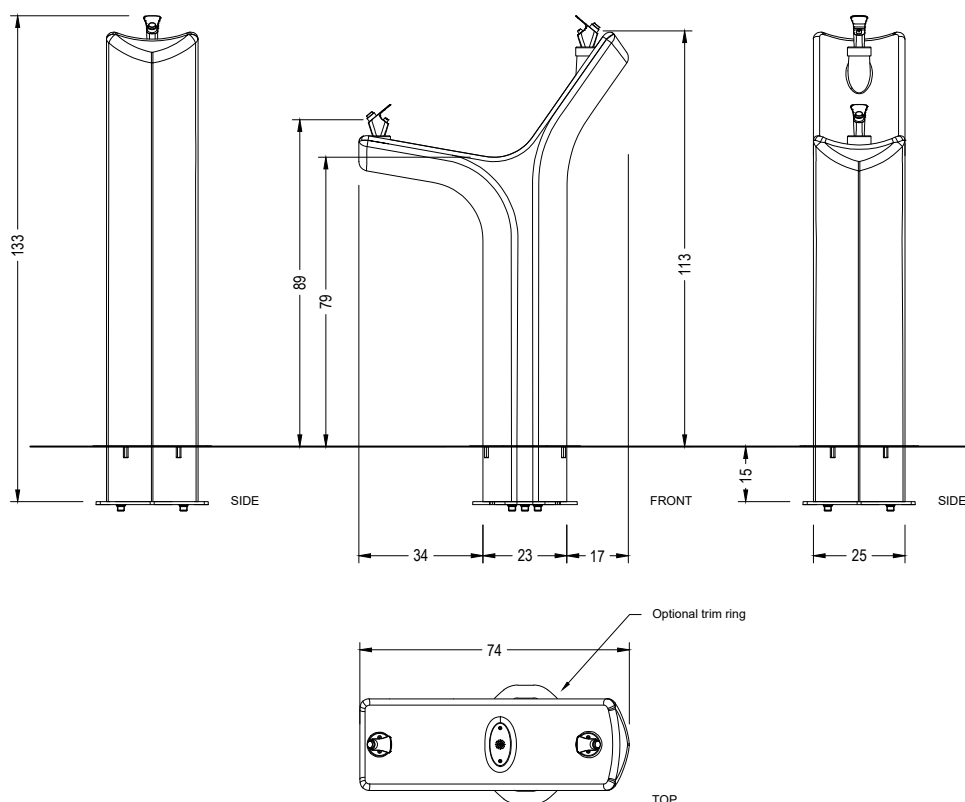


BASE PLATE

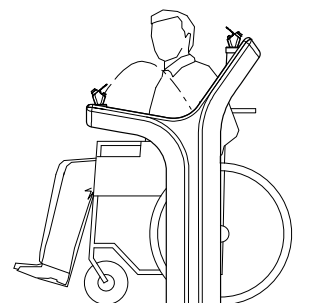


1.3 Geometry

Cala



Universal Accessibility.
Inclusive Design.





Warranty

5 years in concrete elements.

The names, trademarks and industrial models of the products have been logged in the corresponding registers. The technical information provided by Escofet about its products can be modified without prior notice.

Escofet 1886 S.A
Head office and production

Montserrat, 162
E 08760 Martorell
Barcelona - España
T. 0034 937 737 150
F. 0034 937 737 151

info@escofet.com
www.escofet.com

Escofet
by Molins[®]



GA-2005/0072



SST-0090/2010



ER-0403/2016

