





GATHER is a modular family of seating with backrests, composed of linear, concave, convex, and end modules. It allows for the creation of multiple spatial configurations: cozy groupings, straight benches, or perimeter seating around trees and vegetation.

UHPC |  220 cm/max |  954 kg/max |  5

 Update 03.07.2026



GATHER

FOSTER + Partens Industrial Design 2024

Escofet
by Molins[®]

ORIGIN

The GATHER family was born from the idea of creating more private and relaxed outdoor areas. Inspired by the concept of gathering –gather around–, the collection grows and evolves within the urban space.

DESIGN

The cross-section of GATHER is shared by all elements in the collection. Starting from a central pedestal, two trapezoidal, branch-like columns form the backrest, which, through an elegant fold, becomes a headrest and cantilevered seat. These elements gradually taper down to a thickness of just 40 mm, pushing the limits of the material. From this unique shape, the modules are extruded along curved and straight lines to create concave, convex, and linear urban elements. Enhanced by a discreet plinth, the compositions appear to float above the ground. Optionally, two anodized aluminium armrests can be incorporated.

ERGONOMICS

The section design has been carefully verified to meet universal accessibility guidelines: a 105° angle between seat and backrest, a seat height and depth of 45 cm, and an 8° seat surface tilt for added comfort.

MATERIAL

Monoblock elements made from a single piece of UHPC-Slimconcrete®. Sandblasted, water-repellent, and hand-polished on all contact surfaces.

INSTALLATION

Easily lifted and handled with slings, all benches are self-stable and anchored to the pavement using threaded bolts in embedded sockets at the base. An optional levelling system allows for module adjustment in groupings using three threaded bolts.



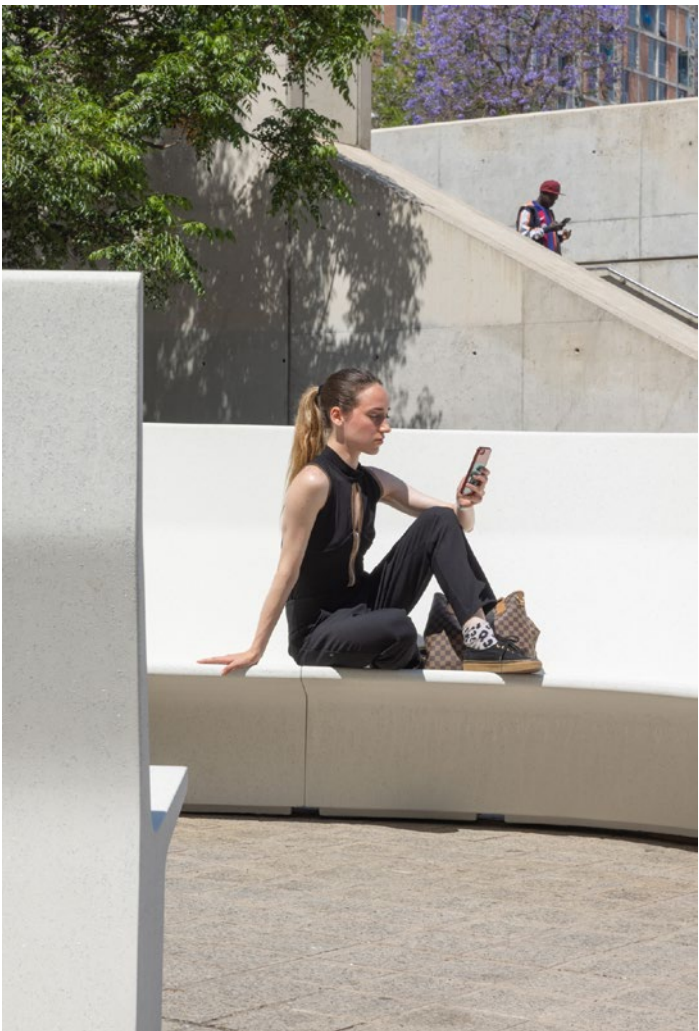
GATHER



GATHER



GATHER



GATHER



Escofet
by Molins[®]

1. Collection

Tiers	Linear	Concave	Convex	Terminal
Dimensiones	220 x 74 x 115 cm Height: 45 cm	220 x 105 x 115 cm / Height: 45 cm	220 x 102 x 115 cm / Height: 45 cm	60 x 74 x 115 cm Height: 45 cm
Peso	954 kg	905 kg	810 kg	330 kg

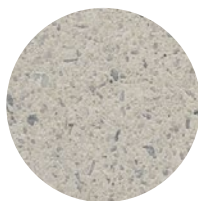
1.1 General features

Material	Concrete UHPC	Fixing	Anchored with screws
Finish	Etched and waterproofed / Soft polished (*)		
Apoyabrazos	Cast aluminium	Acabado	Matt silver anodised

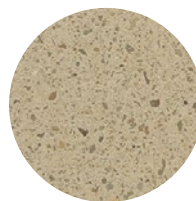
Colores



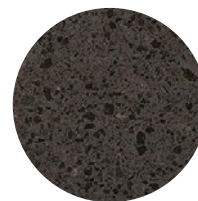
UHPC GR. Grey



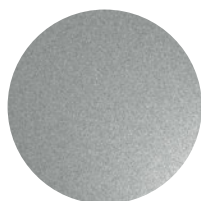
UHPC BL. White



UHPC BG. Beige



UHPC NG. Black



A. Matt silver anodised

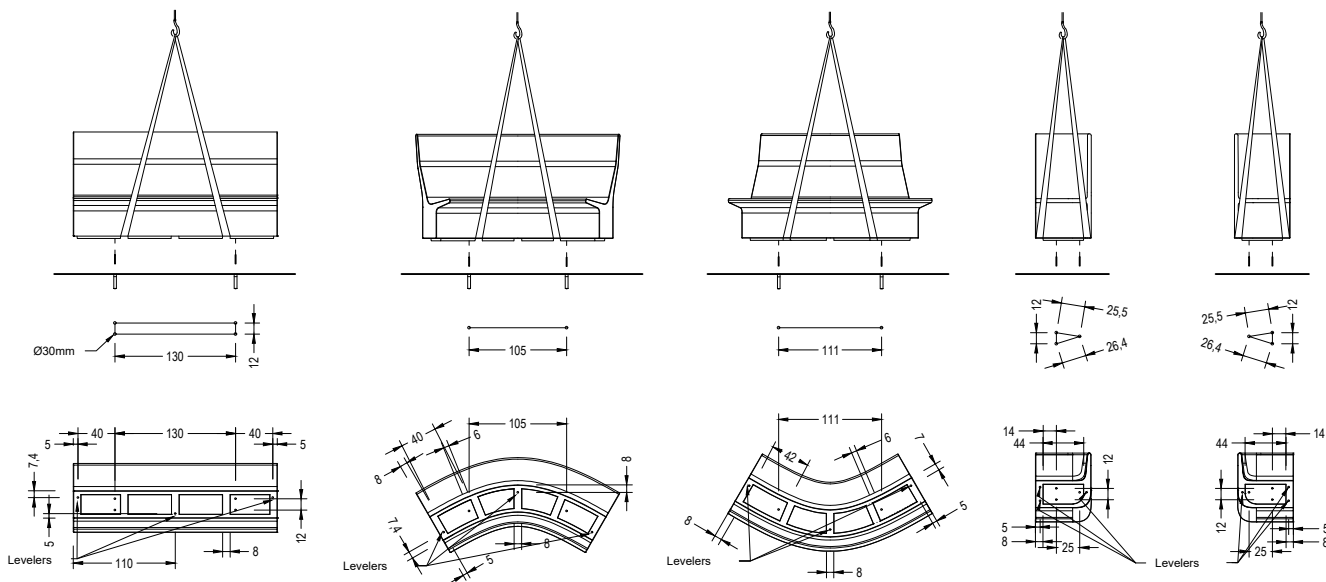
1.2 Placment system

Hoisting

W=954 kg / 905kg / 810kg / 330kg

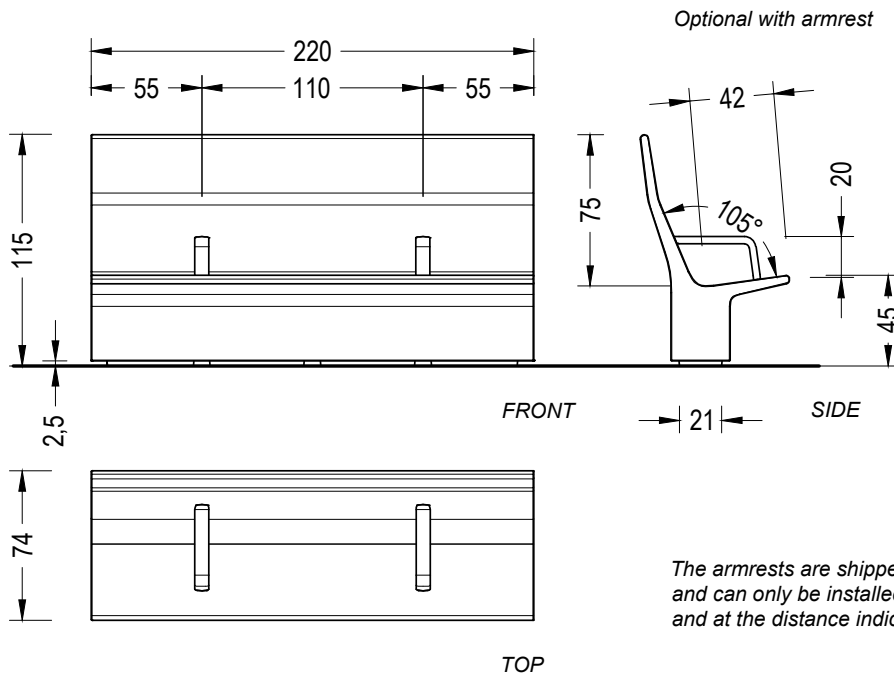
Installation

Drill the pavement Ø40x180 mm and fill with resin or liquid mortar. Screw in the 2,2 or 4 screws depth M16 x 140 mm; center, place the bench and repoint the support area.



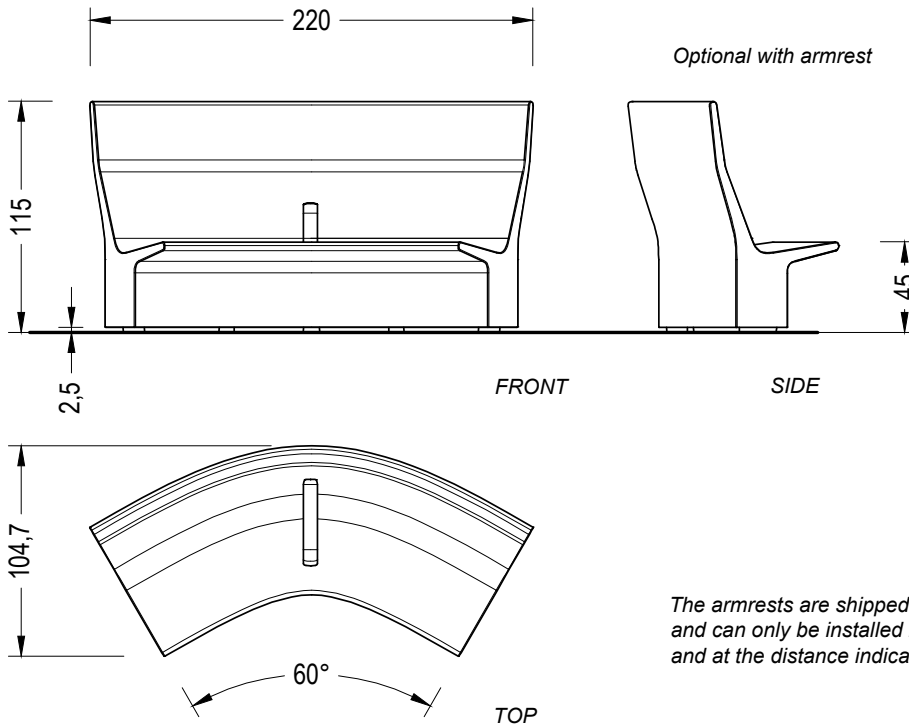
1.3 Geometry

Linear

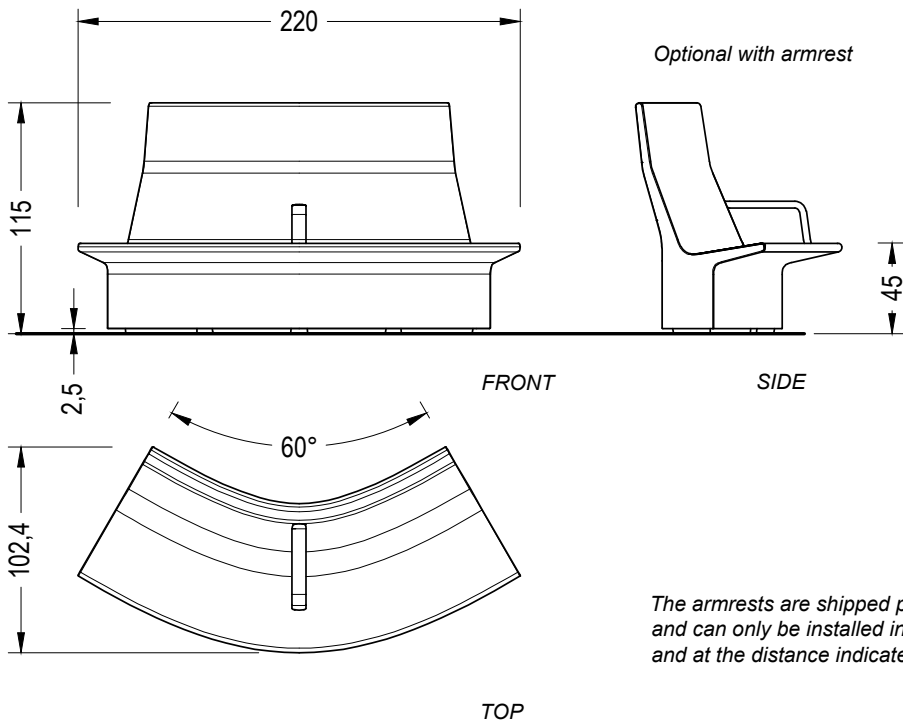


The armrests are shipped pre-assembled and can only be installed in the position and at the distance indicated in the plan

Concave

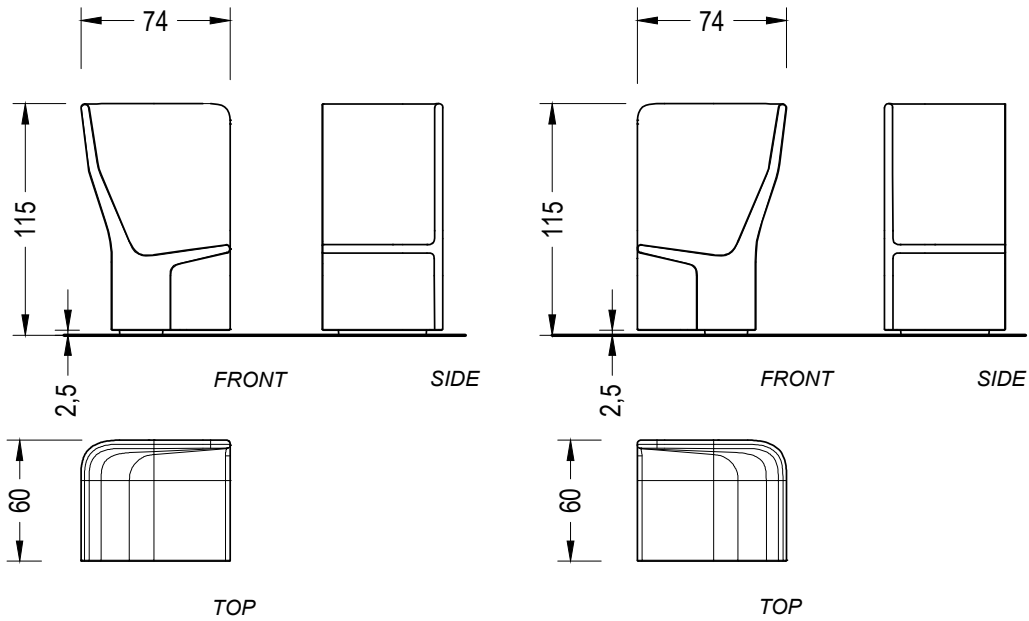


The armrests are shipped pre-assembled and can only be installed in the position and at the distance indicated in the plan

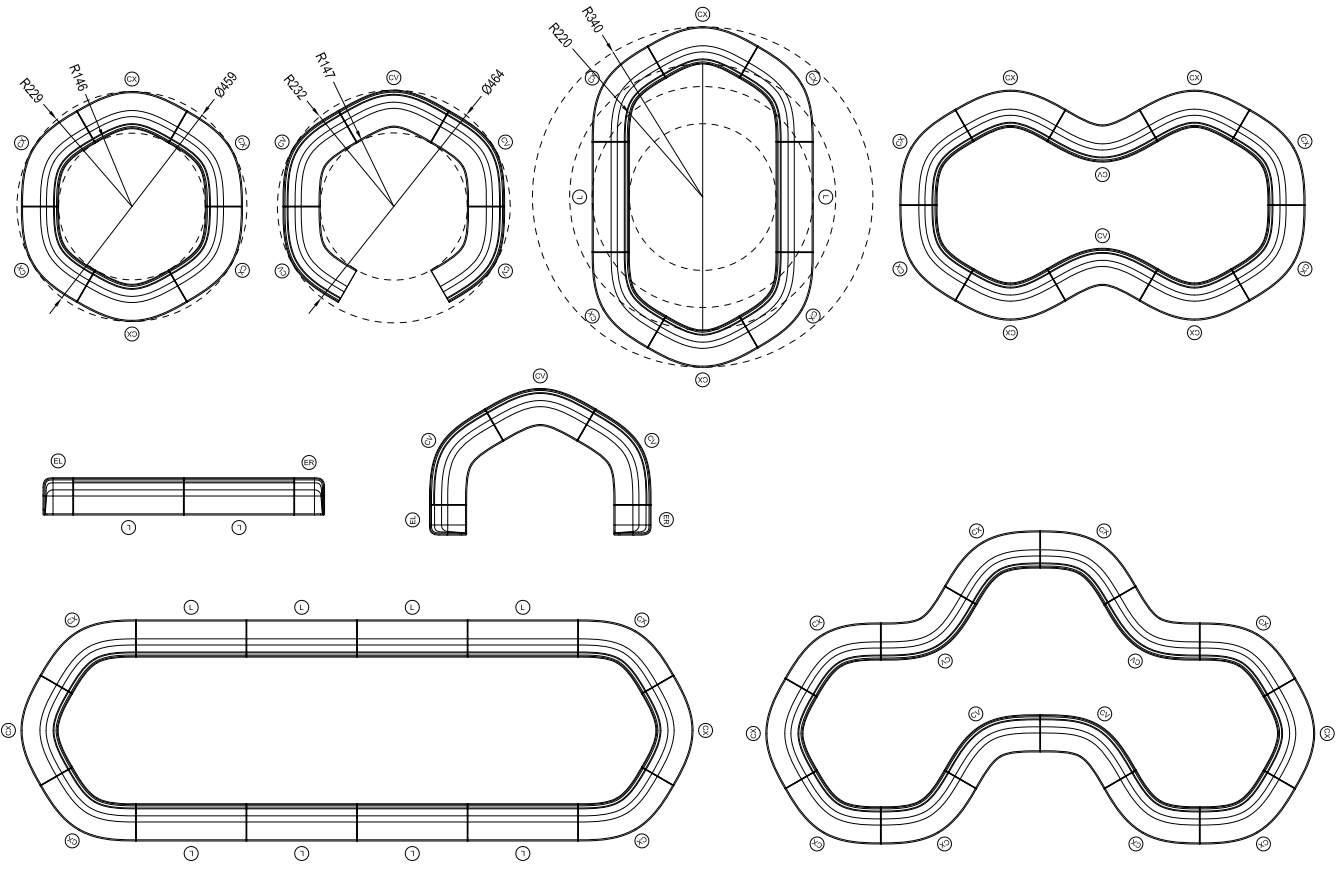


The armrests are shipped pre-assembled and can only be installed in the position and at the distance indicated in the plan

End Right / End Left



1.4 Aggregations



GATHER

GATHER



Escofet
by Molins[®]



Warranty

5 years of warranty in concrete elements.

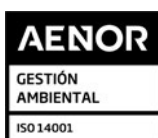
The names, trademarks and industrial models of the products have been logged in the corresponding registers. The technical information provided by Escofet about its products can be modified without prior notice.

Escofet 1886 S.A
Head office and production

Montserrat, 162
E 08760 Martorell
Barcelona - España
T. 0034 937 737 150
F. 0034 937 737 151

info@escofet.com
www.escofet.com

Escofet
by Molins[®]



GA-2005/0072



SST-0090/2010



ER-0403/2016

